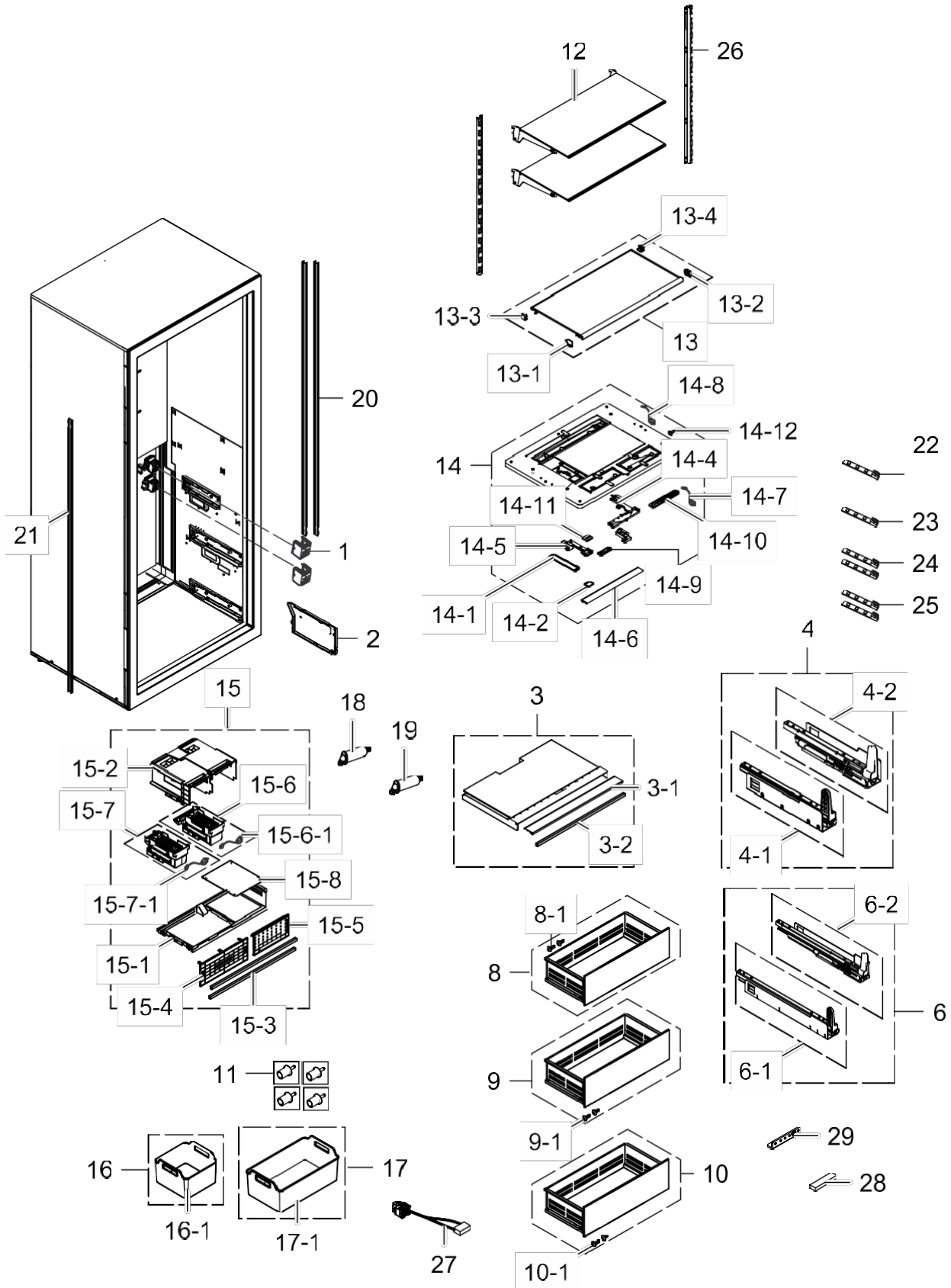




# 1. Freeze

## Exploded View



## Freezer Parts List

| No.  | Dacor Part # | Description                                  | SNA |
|------|--------------|--|-----|
| 1    | 110985       | COVER-FIXER HOUSING,V;<br>NEXT,GALVALUM,T0.3 | SA  |
| 2    | 111040       | COVER HOUSING; BRR9000M,ABS,T2.5,INOX<br>GRA | SA  |
| 3    | 111554       | ASSY CASE CONVERTIBLE; BRR9000M 30"          | SA  |
| 3-1  |              | TRIM SHELF; BRR9000M,A1,A6063,30"            | SNA |
| 3-2  | 110874       | REINF COVER;<br>BRR9000M_30R,PO-SPHC,T2.0,CO | SA  |
| 4    | 111646       | ASSY RAIL-UP; BRR30                          | SA  |
| 4-1  |              | ASSY RAIL-UP LEFT; BRR9000M                  | SNA |
| 4-2  |              | ASSY RAIL-UP RIGHT; BRR9000M                 | SNA |
| 6    | 111647       | ASSY RAIL-LOW; BRR30                         | SA  |
| 6-1  |              | ASSY RAIL-LOW LEFT; BRR9000M                 | SNA |
| 6-2  |              | ASSY RAIL-LOW RIGHT; BRR9000M                | SNA |
| 8    | 111586       | ASSY CASE BASKET-UP; BRR9000M_30F            | SA  |
| 8-1  | 110655       | SCREW-TAPPING;<br>TH,+,NO,1,M4,L14,PASS,STS3 | SA  |
| 9    | 111590       | ASSY CASE BASKET-MIDDLE;<br>BRR9000M_30F     | SA  |
| 9-1  | 110655       | SCREW-TAPPING;<br>TH,+,NO,1,M4,L14,PASS,STS3 | SA  |
| 10   | 111594       | ASSY CASE BASKET-LOW; BRR9000M_30F           | SA  |
| 10-1 | 110655       | SCREW-TAPPING;<br>TH,+,NO,1,M4,L14,PASS,STS3 | SA  |
| 11   | 111629       | ASSY FIXER; BRR9000M 30"                     | SA  |
| 12   | 111539       | ASSY SHELF-REF; BRR9000 30"                  | SA  |
| 13   | 111543       | ASSY SHELF COVER VEG; BRR9000 30"            | SA  |
| 13-1 | 111140       | SHELF-A; BRR9000M_30R,PP,CAP FRONT<br>LEFT   | SA  |
| 13-2 | 111141       | SHELF-A; BRR9000M_30R,PP,CAP FRONT<br>RIGHT  | SA  |
| 13-3 | 111142       | SHELF-A; BRR9000M_30R,PP,CAP REAR LEFT       | SA  |
| 13-4 | 111143       | SHELF-A; BRR9000M_30R,PP,CAP REAR<br>RIGHT   | SA  |
| 14   | 111547       | ASSY SHELF-REFLOW; BRR9000 30",DISPLAY       | SA  |
| 14-1 | 111059       | GROMMET; BRR9000M,RUBBER                     | SA  |
| 14-2 | 111060       | GROMMET; BRR9000,RUBBER,DACOR                | SA  |
| 14-4 | 111026       | COVER DISPLAY; BRR9000M_30R,HIPS,INOX<br>GRA | SA  |
| 14-5 | 111049       | COVER LAMP; BRR9000M,HIPS,INOX<br>GRAY,30R   | SA  |

## Freezer Parts List

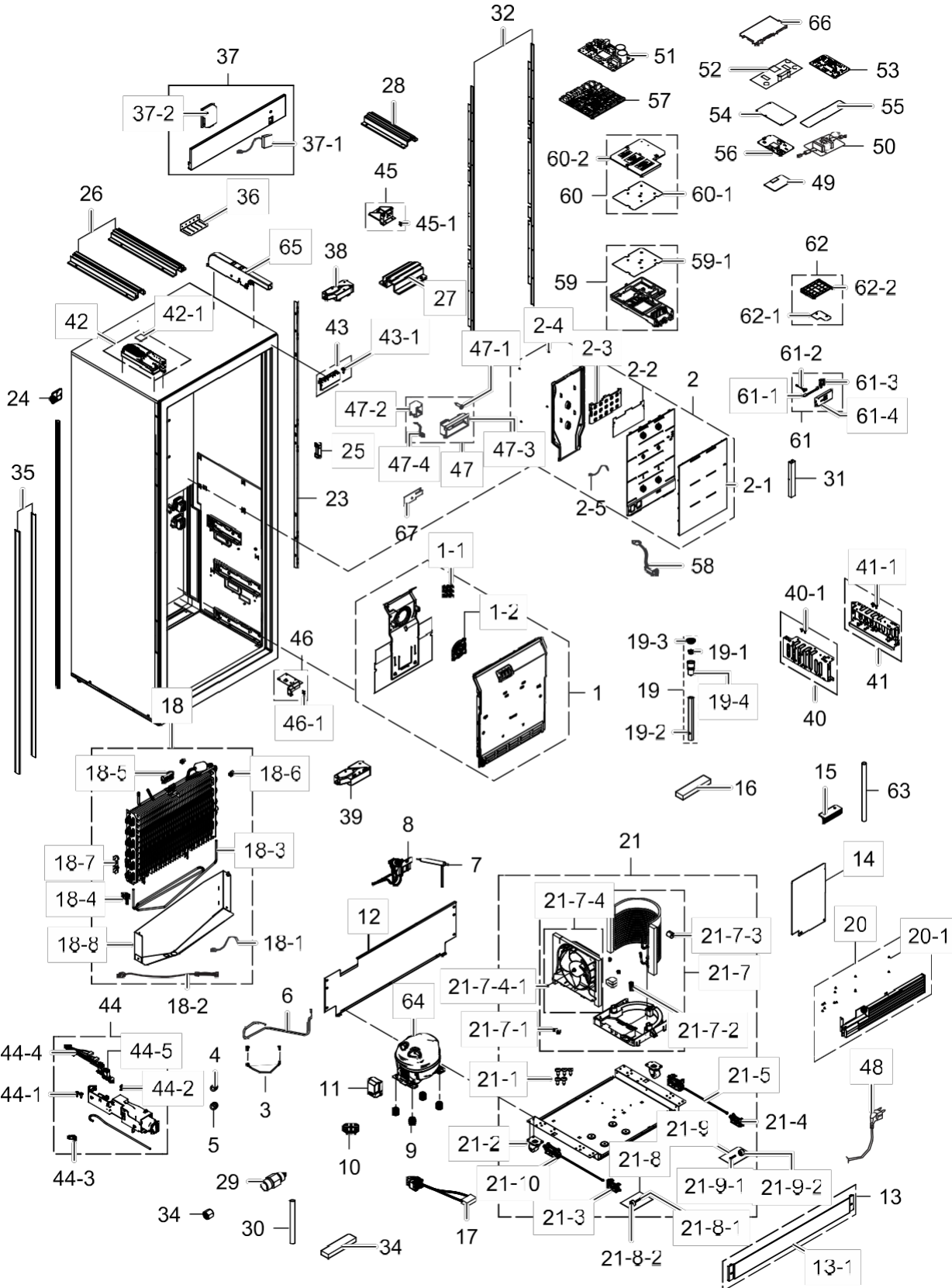
| No.    | Dacor Part # | Description                               | SNA |
|--------|--------------|---|-----|
| 14-6   |              | TRIM SHELF; BRR9000M,STS304,30" DISPLAY   | SNA |
| 14-7   | 111222       | ASSY WIRE HARNESS-DISPENSER; ALL,FREE VOL | SA  |
| 14-8   | 111232       | ASSY WIRE HARNESS-LED; ALL,12VDC,ALL,UL,A | SA  |
| 14-9   |              | CASE LAMP; BRR9000M,HIPS,INOX GRAY,30R    | SNA |
| 14-10  | 111643       | ASSY PBA DISPLAY; BRR9000,ASSY DISPLAY, C | SA  |
| 14-11  | 111645       | ASSY PBA DISPLAY; BRR9000,ASSY DISPLAY, C | SA  |
| 14-12  | 110647       | SCREW-TAPPING; TH,+,1,M4,L12,ZPC(WHT),SWR | SA  |
| 15     |              | ASSY CASE ICE-ROOM; BRR9000M,30F          | SNA |
| 15-1   | 110849       | CASE ICE ROOM-IN; BRR9000M,HIPS,INOX GRAY | SA  |
| 15-2   | 110852       | CASE ICE ROOM-A; BRR9000M,HIPS,INOX GRAY, | SA  |
| 15-3   | 110874       | REINF COVER; BRR9000M_30R,PO-SPHC,T2.0,CO | SA  |
| 15-4   | 111399       | ASSY COVER ICE MAKER; BRR9000M,30F        | SA  |
| 15-5   | 111400       | ASSY COVER SLIDE; BRR9000M,30F            | SA  |
| 15-6   | 111472       | ASSY ICE MAKER; BRR9000,BI-311, 120V, 8CU | SA  |
| 15-6-1 | 111237       | ASSY WIRE HARNESS-ICE; ALL,FREE VOLT,UL+I | SA  |
| 15-7   | 111473       | ASSY ICE MAKER; BRR9000,BI-312, 120V, 4CU | SA  |
| 15-7-1 | 111238       | ASSY WIRE HARNESS-ICE; ALL,FREE VOLT,UL+I | SA  |
| 15-8   | 111641       | ASSY PLATE COOLING; BRR9000M,BRZ3098,ASSY | SA  |
| 16     | 111509       | ASSY CASE ICE; BRR9000M,24F,CUBE          | SA  |
| 16-1   | 110871       | CASE ICE-CUBE; BRR9000M,PETG,NATURAL,24F, | SA  |
| 17     | 111510       | ASSY CASE ICE; BRR9000M,30F,CUBE          | SA  |
| 17-1   | 110872       | CASE ICE-CUBE; BRR9000,PETG,NATURAL,30F,J | SA  |
| 18     | 111565       | ASSY PIPE WATER ICE; BRF8000M             | SA  |
| 19     | 111566       | ASSY PIPE WATER ICE; BRF8000M             | SA  |
| 20     |              | COVER LAMP-SIDE; BRR9000M,HIPS,T2.0,WHITE | SA  |
| 21     |              | COVER LAMP-SIDE; BRR9000M,HIPS,T2.0,WHITE | SA  |
| 22     | 111263       | ASSY LAMP LED; 18,FR-4,336*16,WHITE,LEKD- | SA  |
| 23     | 111264       | ASSY LAMP LED; 18,FR-4,336*16,WHITE,LEK-0 | SA  |

## Freezer Parts List

| No. | Dacor Part # | Description                                  | SNA |
|-----|--------------|--|-----|
| 24  | 111268       | ASSY LAMP LED;<br>18,CEM-1,592*16,WHITE,SMAW | SA  |
| 25  | 111269       | ASSY LAMP LED;<br>18,CEM-1,592*16,WHITE,SMAW | SA  |
| 26  |              | ANGLE SHELF-REF SIDE RIGHT;<br>GI-SGCC,T3.0, | SNA |
| 27  | 111235       | ASSY WIRE HARNESS-LED;<br>ALL,12VDC,UL+IEC,N | SA  |
| 28  | 110923       | SEAL CUTT-RUBBER;<br>RR2500K,RUBBER,BLACK,T5 | SA  |
| 29  |              | REINF-FRONT;<br>BRR9000M,HGI-SGHC,T3.0,REINF | SNA |

## 2. Cabinet

### Exploded View



## Cabinet Parts List

| No.  | Dacor Part # | Description                                    | SNA |
|------|--------------|--|-----|
| 1    | 111478       | ASSY COVER EVAP-FRE;<br>BRR9000M,COLUMN, 30"   | SA  |
| 1-1  | 110655       | SCREW-TAPPING;<br>TH,+,-,NO,1,M4,L14,PASS,STS3 | SA  |
| 1-2  | 110696       | MOTOR BLDC FAN;<br>ARES2130RA,1850RPM,12V,4.   | SA  |
| 2    | 111484       | ASSY COVER MULTI-FRE;<br>BRR9000M,COLUMN, 30   | SA  |
| 2-1  |              | ASSY PLATE COOLING; BRR9000M,COLUMN,<br>30",   | SNA |
| 2-2  | 111161       | SEAL COVER MULTI-FRE FRONT;<br>BRR9000M,PE F   | SA  |
| 2-3  | 111492       | ASSY DUCT-ICE PACK; BRR9000M,COLUMN,<br>30,3   | SA  |
| 2-4  | 110654       | SCREW-TAPPING;<br>TH,+,-,1,M4,L12,PASS,STS30   | SA  |
| 2-5  | 110706       | SENSOR TEMP;<br>SC41198-021A,1000mm,13.2kohm   | SA  |
| 3    | 110722       | ASSY WIRE HARNESS-EARTH; ALL,FREE<br>VOLT,UL   | SA  |
| 4    | 110746       | FITTING-LOKRING 33; SUM23,33                   | SA  |
| 5    | 110747       | FITTING LOKRING; SUM23,St 56                   | SA  |
| 6    | 110935       | PIPE CONNECT-SUCTION;<br>BRR9000M,Cu,OD6.35,   | SA  |
| 7    | 110940       | DRYER; C1220T-H,114,SINGLE MOUTH,R-600a<br>O   | SA  |
| 8    | 110943       | VALVE STEP; DC12V,MODULE,RIGHT/RIGHT<br>bend   | SA  |
| 9    | 110979       | GROMMET COMP;<br>USP05,EPDM,OD27.0,BLACK       | SA  |
| 10   | 110990       | COVER-URETHANE;<br>AW-PJT,ABS,BLACK,5VA        | SA  |
| 11   | 111001       | COVER RELAY; MSV,MPPO,T2.0,BLACK,V-0           | SA  |
| 12   | 111017       | COVER COMP-REAR;<br>BRR9000M,GI-SGCC,T0.8      | SA  |
| 13   | 111652       | ASSY COVER COMP-LOW; BRR9000M,30"              | SA  |
| 13-1 | 111019       | COVER COMP-LOW; BRR9000M,GI-SGCC,T1.2          | SA  |
| 14   | 111146       | PARTITION-FRONT; BRF8000M,GI-SGCC,T0.6         | SA  |
| 15   | 111149       | PARTITION-UP; BRR9000M,HIPS,T1.2               | SA  |
| 16   | 111162       | SEAL CUTT-RUBBER; W2-05,BUTYL<br>RUBBER,BLAC   | SA  |
| 17   | 111246       | ASSY WIRE HARNESS-COMP; ALL,FREE<br>VOLT,UL+   | SA  |
| 18   | 111247       | ASSY EVAP-FRE; BRR9000M,FIN TUBE,30",<br>36"   | SA  |

## Cabinet Parts List

| No.     | Dacor Part # | Description                                  | SNA |
|---------|--------------|--|-----|
| 18-1    | 110705       | SENSOR TEMP; SC41199-021A, PVC TUBE<br>250mm | SA  |
| 18-2    | 110736       | THERMO FUSE-ASSY; AC250V,10A,109~110S        | SA  |
| 18-3    | 110740       | HEATER METAL SHEATH; AC120V,BRR9000M<br>30,3 | SA  |
| 18-4    | 110823       | FIXER-SHEATH HEATER;<br>POLARIS-PJT,AL,T0.8  | SA  |
| 18-5    | 110795       | FIXER-SENSER; AW-PJT,PP,NATURAL,V-0          | SA  |
| 18-6    | 110818       | FIXER WIRE;<br>AW3-PJT,PP,T2.0,NATURAL,HB,BJ | SA  |
| 18-7    | 110822       | FIXER-HEATER WIRE REF;<br>HM/GGH/HAEMIL,PP,N | SA  |
| 18-8    | 110861       | PLATE DRAIN-FRE; BRR9000M(30inch<br>Column), | SA  |
| 19      | 111338       | ASSY CAP-DRAIN; AW3                          | SA  |
| 19-1    | 110811       | FIXER-DRAIN; HAEMIL,PP,T0.6,CARMEN<br>WINE,B | SA  |
| 19-2    | 110928       | TUBE PVC; AW3,SF-PVC,BLACK                   | SA  |
| 19-3    | 110982       | GROMMET-DRAIN; RS18RK,NBR,-,-,-,-,-,BLK,-    | SA  |
| 19-4    | 111128       | CAP-DRAIN; AW4,HIPS,HB,S834S1,NATURAL        | SA  |
| 20      | 111465       | ASSY CHASSIS AIR GRILLE; BRR9000M,30"<br>LEF | SA  |
| 20-1    | 110647       | SCREW-TAPPING;<br>TH,+,1,M4,L12,ZPC(WHT),SWR | SA  |
| 21      | 111474       | ASSY CHASSIS COMP; BRR9000M,30"              | SA  |
| 21-1    | 110647       | SCREW-TAPPING;<br>TH,+,1,M4,L12,ZPC(WHT),SWR | SA  |
| 21-2    | 111280       | ASSY CASTER MOVING;<br>BRR9000M,OD40,BLK,H60 | SA  |
| 21-3    | 111390       | ASSY LEG-FRONT; BRR9000M                     | SA  |
| 21-4    | 111391       | ASSY LEG-FRONT; BRR9000M,RIGHT               | SA  |
| 21-5    | 111393       | ASSY LEG-REAR; BRR9000M,RIGHT                | SA  |
| 21-7    | 111446       | ASSY TRAY DRAIN WATER;<br>BRR9000,T2,30inch  | SA  |
| 21-7-1  | 110647       | SCREW-TAPPING;<br>TH,+,1,M4,L12,ZPC(WHT),SWR | SA  |
| 21-7-2  | 111006       | GROMMET-IMMERSION PIPE B; ROMANEE<br>CONTI,N | SA  |
| 21-7-3  | 111074       | GROMMET-SUCT PIPE A; NBR,-,ID4,OD20          | SC  |
| 21-7-4  | 111409       | ASSY SUPPORT-CIRCUIT MOTOR;<br>BRR9000M(30", | SA  |
| 21-7-4- | 110913       | SPRING ETC-FAN; STS304,PI8.8,ID7.8,OD9.8,    | SA  |
| 21-8    | 111533       | ASSY CASTER;<br>BRR9000M,GI-SGCC,T3.0,LEFT   | SA  |

## Cabinet Parts List

| No.    | Dacor Part # | Description                                  | SNA |
|--------|--------------|--|-----|
| 21-8-1 | 110757       | PIN-CASTER;<br>SR-289-429,MSWR10,OD6.0,L38,Z | SA  |
| 21-8-2 | 110821       | CASTER-REAR; GRAND-CRU,PP,NATURAL            | SA  |
| 21-9   | 111534       | ASSY CASTER-FRONT;<br>BRR9000M,GI-SGCC,T3.0, | SA  |
| 21-9-1 | 110757       | PIN-CASTER;<br>SR-289-429,MSWR10,OD6.0,L38,Z | SA  |
| 21-9-2 | 110821       | CASTER-REAR; GRAND-CRU,PP,NATURAL            | SA  |
| 21-10  | 111392       | ASSY LEG-REAR; BRR9000M                      | SA  |
| 23     | 110846       | BRACKET-MIDDLE;<br>BRR9000M,CR-SPCC,T1.2,COL | SA  |
| 24     | 111639       | ASSY COVER FIXER WATER;<br>BRR9000M,24,30,36 | SA  |
| 25     | 110886       | FIXER PIPE; BRR9000M,EPDM,BLACK              | SA  |
| 26     | 110892       | RAIL; BRR9000M,ABS,EBONY BLACK               | SA  |
| 27     | 110893       | RAIL; BRR9000M,ABS,EBONY<br>BLACK,81.5mm,Col | SA  |
| 28     | 110895       | RAIL-LEFT; BRR9000M,ABS,EBONY<br>BLACK,HG-07 | SA  |
| 29     | 110918       | VALVE-FITTING PU;<br>BEST-BUY,(C3604BD-F)+BN | SA  |
| 30     | 110946       | PIPE WATER-LINE OUT;<br>BRF8000M,PVC,WHITE   | SA  |
| 31     | 111058       | COVER WIRE; BRR9000,ABS,HB,COOL<br>WHITE,SH- | SA  |
| 32     | 111091       | CHASSIS CABI; BRR9000M,GI-SGCC,T0.8,-,-      | SA  |
| 34     | 111170       | VALVE-FITTING NUT; A-TOP,CU,12,C3604<br>BD-F | SA  |
| 35     | 111093       | TRIM COVER; BRR9000M,Al,BI-327               | SA  |
| 36     | 110903       | SUPPORT-REF; BRR9000M,GI-SGCC,T3,Anti<br>Tip | SA  |
| 37     | 111504       | ASSY TOP TABLE-FRONT; BRR9000M,30-IN,F       | SA  |
| 37-1   | 110711       | SENSOR PHOTO; -20~705V,illumination          | SA  |
| 37-2   | 111033       | COVER TOP TABLE; BRR9000M,ABS,HB,INOX<br>GRA | SA  |
| 38     | 111379       | ASSY HINGE-UP; BUILT-IN,K05-X                | SA  |
| 39     | 111380       | ASSY HINGE-LOW; BUILT-IN,K05-X               | SA  |
| 40     | 111382       | ASSY CABI FRAME-SIDE LEFT;<br>BRR9000M,GI-SG | SA  |
| 40-1   | 110647       | SCREW-TAPPING;<br>TH,+,1,M4,L12,ZPC(WHT),SWR | SA  |
| 41     | 111386       | ASSY CABI FRAME-SIDE RIGHT;<br>BRR9000M,GI-S | SA  |
| 41-1   | 110647       | SCREW-TAPPING;<br>TH,+,1,M4,L12,ZPC(WHT),SWR | SA  |



## Cabinet Parts List

| No.  | Dacor Part # | Description                                  | SNA |
|------|--------------|--|-----|
| 42   | 111420       | ASSY EASY OPEN; 12V                          | SA  |
| 42-1 | 110633       | IC-MICROCONTROLLER;<br>R5F100FCAFP,LQFP,44P, | SA  |
| 43   | 111425       | ASSY COVER HINGE;<br>BRR9000M,ABS,COLUMN HAN | SA  |
| 43-1 | 110671       | SCREW-TAPPING;<br>PWH,+,PW,1,M4,L16,ZPC(WHT) | SA  |
| 44   | 111394       | ASSY CASE WATER FILTER; BRR9000M             | SA  |
| 44-1 | 110647       | SCREW-TAPPING;<br>TH,+,1,M4,L12,ZPC(WHT),SWR | SA  |
| 44-2 | 110806       | CLIP-FITTING LOCK; AW,POM                    | SA  |
| 44-3 | 110752       | FITTING TUBE; AW4-4D,POM,Fitting Tube Y,     | SA  |
| 44-4 | 110938       | VALVE WATER;<br>AC110-127V,350,1WAY,L-Wire,1 | SA  |
| 44-5 | 110934       | VALVE WATER;<br>AC110~127V,230,1WAY,L-Wire,1 | SC  |
| 45   | 111458       | ASSY REINF-UP LEFT; BRR9000M,ZPC3            | SA  |
| 45-1 | 110678       | BOLT-ETC; M6,L20,ZPC(WHT),SWRCH18A,FH        | SA  |
| 46   | 111460       | ASSY REINF-LOW LEFT; BRR9000M,ZPC3           | SA  |
| 46-1 | 110678       | BOLT-ETC; M6,L20,ZPC(WHT),SWRCH18A,FH        | SA  |
| 47   | 111577       | ASSY COVER HINGE-UP LEFT;<br>BRR9000M,Column | SA  |
| 47-1 | 110660       | SCREW-TAPPING;<br>FH,+,1,M4,L18,ZPC(WHT),SWR | SA  |
| 47-2 | 111048       | COVER HINGE-UP LEFT;<br>BRR9000M,PC,5V-B,EBO | SA  |
| 47-3 | 111046       | COVER HINGE-LEFT;<br>BRR9000M,ABS,HB,INOX GR | SA  |
| 47-4 | 111275       | ASSY WIRE HARNESS-ETC; 1-DOOR,FREE<br>VOLT,U | SA  |
| 48   | 110639       | CBF-POWER CORD;<br>AT,USA,US3F-1,3C,125V,15A | SA  |
| 49   | 110640       | W-LAN MODULE;<br>DWMSMQ96L01S,IEEE802.11,2.4 | SA  |
| 50   | 110683       | COIL FILTER; 22mH,82*60,AC 8A,0.47uF / 0.    | SA  |
| 51   | 111197       | ASSY PCB INVERTER;<br>INVERTER,LC3_3050_V2,1 | SA  |
| 52   | 111198       | ASSY MODULE; STD#9 SMPS,RF9500(Family<br>Hub | SA  |
| 53   | 111199       | ASSY MODULE; BUZZER PBA,RB6000K              | SA  |
| 54   | 111202       | ASSY MODULE; PBA-FUSE<br>BLOCK,BRZ9000M,30*5 | SA  |
| 55   | 111205       | ASSY PCB SUB; Network,WiFi,LTE,WideCamera    | SA  |
| 56   | 110798       | MAGNET; SVETA,FERRITE,1600Gauss              | SA  |

## Cabinet Parts List

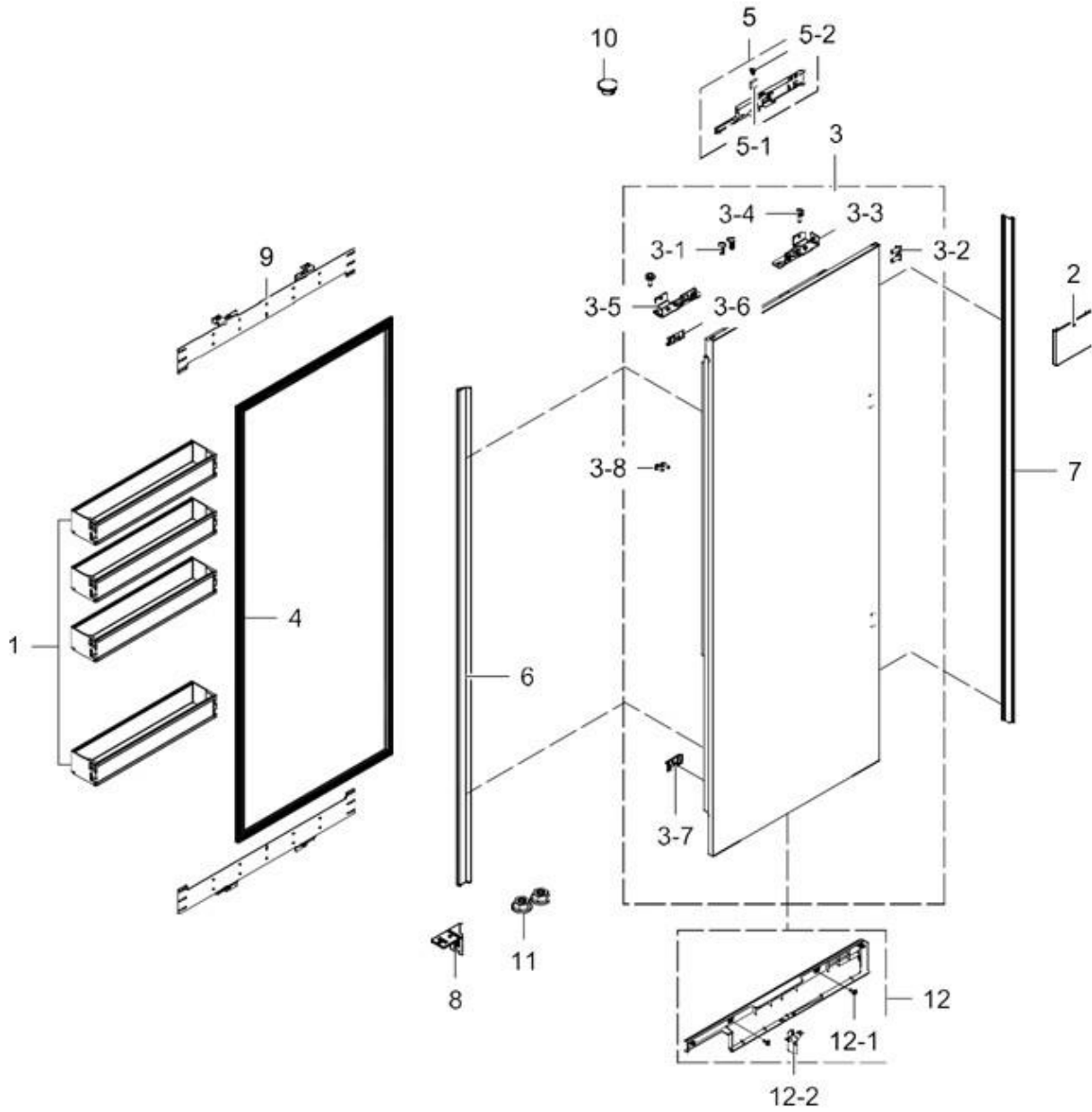
| No.          | Dacor Part # | Description  | SNA |
|--------------|--------------|--|-----|
| 57           | 111212       | ASSY PCB EEPROM;<br>0X18,D601,D602,D603,D605                   | SA  |
| 58           | 111256       | ASSY WIRE HARNESS-ETC; 1-DOOR,FREE<br>VOLT,U                   | SA  |
| 59           | 111613       | ASSY CASE PBA;<br>BRR9000M,COLUMN30"FRE,SUB                    | SA  |
| 59-1         | 110904       | PLATE COVER; AI,T0.15,FDR                                      | SA  |
| 60           | 111617       | ASSY COVER PBA;<br>BRR9000M,COLUMN30"FRE                       | SA  |
| 60-1         |              | PLATE COVER;<br>BRR9000M,GI-SGCC,T0.5,Column                   | SNA |
| 60-2         | 111043       | COVER PBA; BRR9000M,PC,T2.5,5V-B,EBONY<br>BL                   | SA  |
| 61           | 111621       | ASSY COVER-FRONT;<br>BRR9000M,COLUMN30"FRE                     | SA  |
| 61-1         | 110709       | SENSOR HUMIDITY; 5V,0~100%RH,REF                               | SA  |
| 61-2         | 110716       | SWITCH REED; UL1007 AWG<br>22,100mm,DEM1-B50                   | SA  |
| 61-3         | 111033       | COVER TOP TABLE; BRR9000M,ABS,HB,INOX<br>GRA                   | SA  |
| 61-4         | 111044       | COVER FRONT; BRR9000M,PC,5V-B,EBONY<br>BLACK                   | SA  |
| 62           | 111624       | ASSY COVER-FRONT UP;<br>BRR9000M,COLUMN30"FR                   | SA  |
| 62-1         |              | PLATE COVER;<br>BRR9000M,GI-SGCC,T0.5,FRONT,                   | SNA |
| 62-2         | 111045       | COVER FRONT-UP;<br>BRR9000M,PC,5V-B,EBONY BL                   | SA  |
| 63           | 111169       | PIPE CONNECT-DISC;<br>RF8000MC,Cu,OD6.35,T0.                   | SA  |
| 64           | 111691       | CMP,COMP,REFRIGERATOR,R-600A;<br>(Must order with Ref #9 QTY4) | SA  |
| Not<br>Shown | 112872       | Vulkan lok ring fittings<br>(includes drier)                   | SA  |
| 65           | 110866       | GUIDE-UP; BRZ30980LPR,ABS,T2.5,HB,INOX<br>GR                   | SA  |
| 66           | 111072       | COVER PBA; BRR9000M,ABS,INOX<br>GRAY,WIFI MO                   | SA  |
| 67           | 111151       | CAP HINGE-UP LEFT;<br>BRR9000M,ABS,T1.2,HG-0                   | SA  |

## Door Panels, Handles, and Toe Kick

| Type          | SVC Part                | Dacor P/N   | Finish    |
|---------------|-------------------------|-------------|-----------|
| 30"<br>Column | Custom Panel-Left Hinge | 114168      | Graphite  |
|               | Modern Handle           | 114133      | Graphite  |
|               | Toe Kick Plate          | 114170      | Graphite  |
|               | Custom Panel-Left Hinge | 114171      | Stainless |
|               | Modern Handle           | 114140      | Stainless |
|               | Pro Handle              | 114141      | Stainless |
|               | Toe Kick Plate          | 114173      | Stainless |
|               | Pair Installation Kit   | RAC00CPAAAA | Stainless |

\*\*\*Note: Only one "Pair installation kit" is needed to install two columns together.

### 3. Door



**Door Parts List**

| No. | Dacor Part # | Description                               | SNA |
|-----|--------------|---|-----|
| 1   | 111442       | ASSY GUARD-REF; BRR9000M                  | SA  |
| 2   | 111039       | COVER CAP DOOR; BRR9000M,ABS,INOX GRAY    | SA  |
| 3   | 111188       | ASSY DOOR FOAM-FRE; BRR9000M,30",LEFT-HIN | SA  |

## Door Parts List

| No.  | Dacor Part # | Description                                    | SNA |
|------|--------------|--|-----|
| 3-1  | 110658       | SCREW-TAPPING;<br>TH,+,-,2,M5,L16,ZPC(WHT),S   | SA  |
| 3-2  | 110666       | SCREW-TAPPING;<br>TH,+,-,2S,M4,L12,ZPC(WHT),   | SA  |
| 3-3  | 110845       | BRACKET-UP;<br>BRR9000M,PO-SPHC,T2.3,RIGHT     | SA  |
| 3-4  | 110847       | FIXER-UP FRONT; BRR9000M,SWRCH10A,M6           | SA  |
| 3-5  | 110848       | BRACKET-UP; BRR9000M,PO-SPHC,T2.3,LEFT         | SA  |
| 3-6  | 110855       | BRACKET HINGE-FRE UP;<br>BRR9000M,GI-SGCC,T2   | SA  |
| 3-7  | 110859       | BRACKET HINGE-FRE LOW;<br>GI-SGCC,T2.5,COLUM   | SA  |
| 3-8  | 110648       | SCREW-TAPPING;<br>TH,+,-,NO,1,M4,L16,ZPC(WHT), | SA  |
| 4    | 111412       | ASSY GASKET; BRR9000M,30"COLUMN,<br>DARK GR    | SA  |
| 5    | 111438       | ASSY CAP DOOR-UP LEFT;<br>BRR9000M,ABS,30"     | SA  |
| 5-1  | 110798       | MAGNET; SVETA,FERRITE,1600Gauss                | SA  |
| 5-2  | 111133       | CAP-SHAFT HOLE;<br>AW3,ABS,HG-0760GP,COOL WH   | SA  |
| 6    | 111087       | TRIM DOOR-RIGHT;<br>BRR9000M,ABS,XM-0900,VF S  | SA  |
| 7    | 111086       | TRIM DOOR-LEFT;<br>BRR9000M,ABS,XM-0900,VF     | SA  |
| 8    | 110889       | GUIDE PANEL; BRR9000M,HIPS,S834S1,COOL<br>WH   | SA  |
| 9    | 110902       | BRACKET-WOOD;<br>BRR9000M,PO-SPHC,T2.3,COLUM   | SA  |
| 10   | 111129       | CAP SCREW; BRR9000M,ABS,HB,HG-<br>0760GP,INOX  | SA  |
| 11   | 110680       | NUT-HEXAGON FLANGE;<br>M8,SWRCH10A,FLANGE, M   | SA  |
| 12   | 111631       | ASSY CAP DOOR-LOW LEFT;<br>BRR9000M,ABS,30"    | SA  |
| 12-1 | 110647       | SCREW-TAPPING;<br>TH,+,-,1,M4,L12,ZPC(WHT),SWR | SA  |
| 12-2 | 110862       | GUIDE AIR-A; BRR9000M,ABS,HB,INOX<br>GRAY      | SA  |