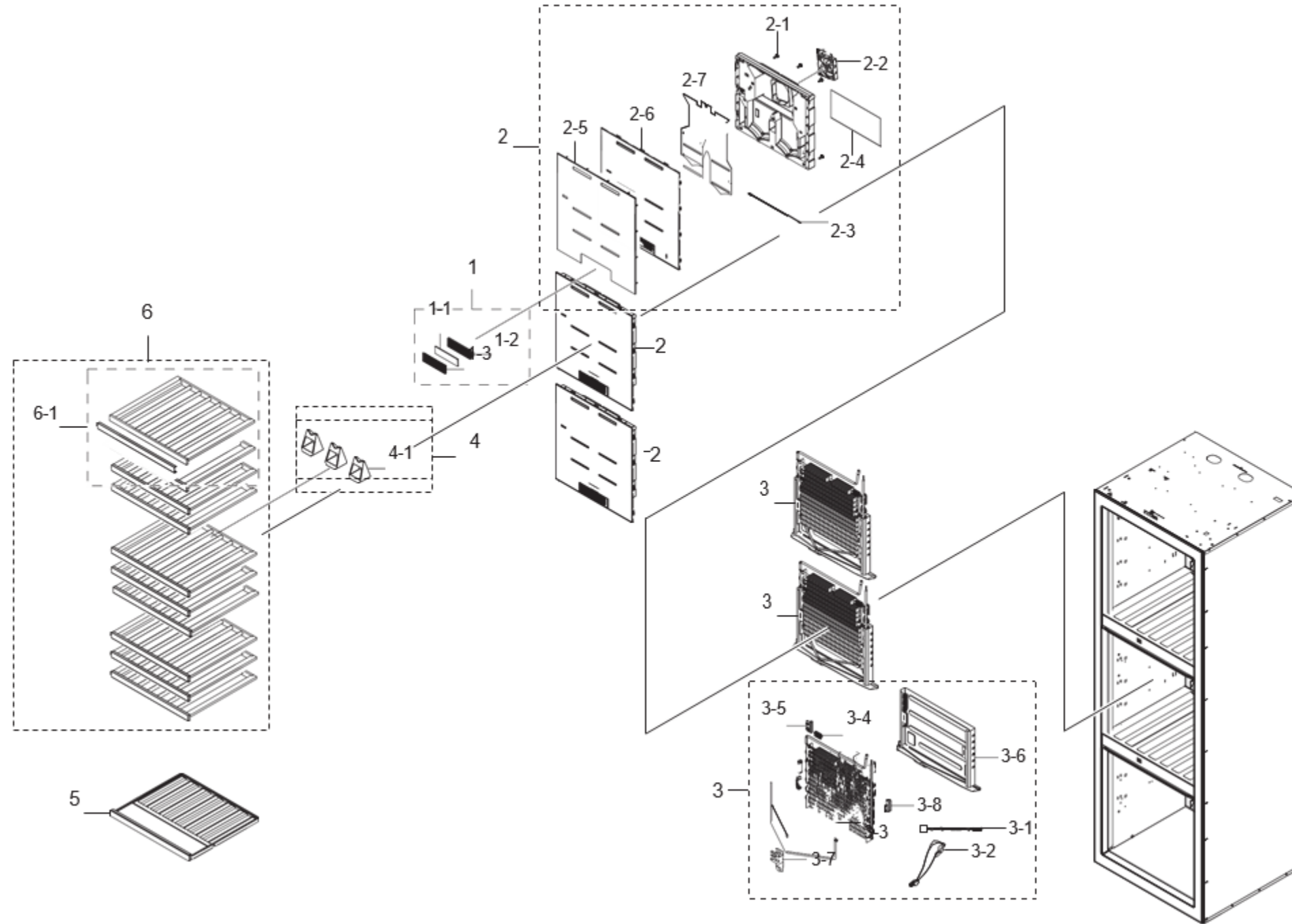




DRW24980RAP

DRW24980RAP Refrigerator

■ REFRIGERATOR



DRW24980RAP Refrigerator

Service Bom (SA: SERVICE AVAILABLE, SNA: SERVICE NOT AVAILABLE)

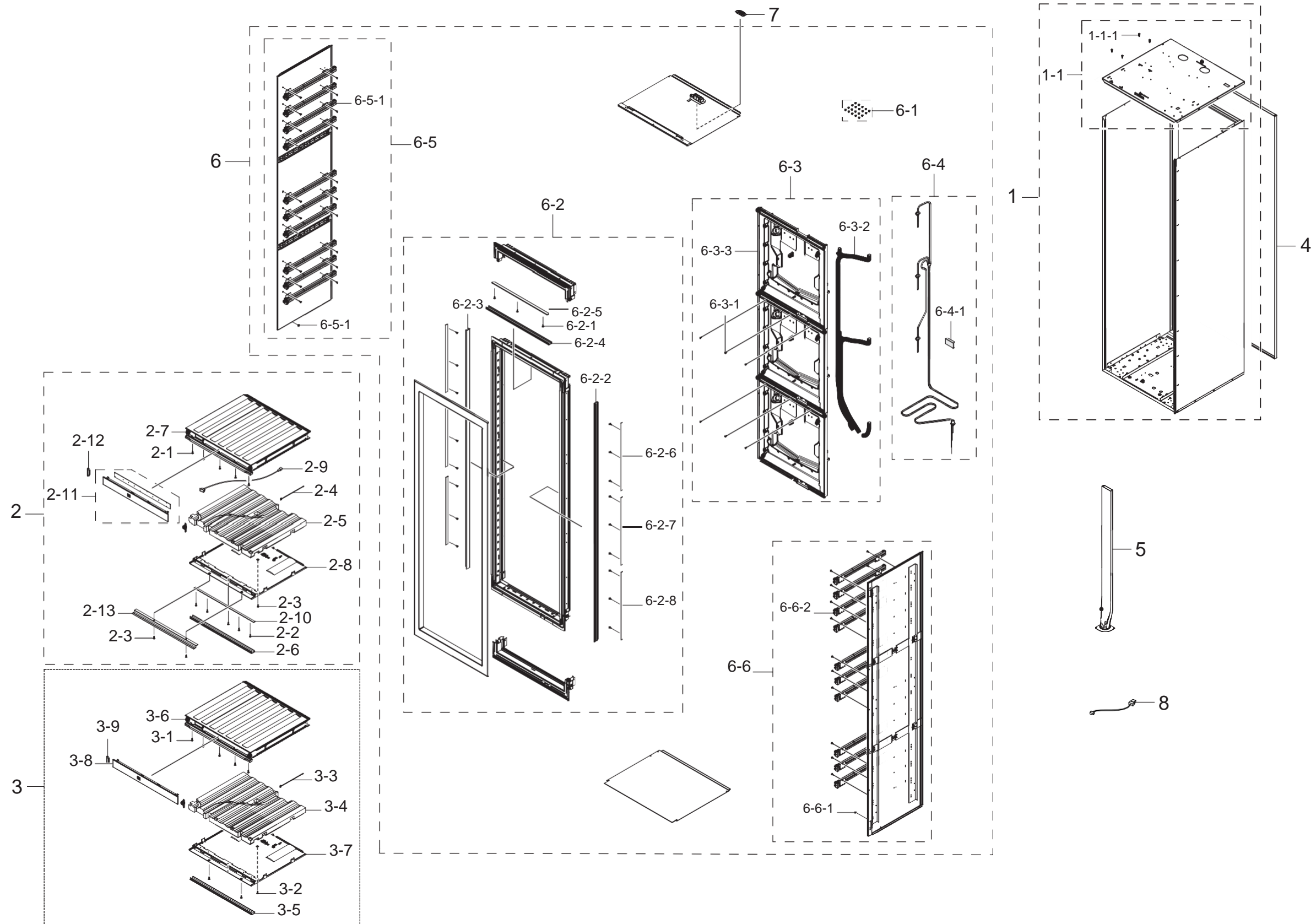
Ref	Dacor Part#	Description	SA/SNA
1	114421	ASSY COVER DEODORIZER BRW9000R,INOX METAL	SA
1-1	114422	CATALYST T2.5,W39,L143,Activated Carbon	SA
1-2		COVER DEODORIZER BRW9000R,HIPS,HB,INOX GRAY,B-Lux Silver Spray	SNA
1-3		COVER DEODORIZER BRW9000R,HIPS,HB,INOX GRAY,B-Lux Silver Spray	SNA
2	114423	ASSY COVER EVAP- REF BRW9000R,METAL	SA
2-1	110655	SCREW-TAPPING TH,+,NO,1,M4,L14,PASS,STS304	SA
2-2	114424	MOTOR BLDC FAN U92C12MS1B3-52K,3115.5- 3584.5rpm,12V,0.16A,1.92W,92mm Box- Fan Motor,-40to+40C	SA
2-3	110701	SENSOR HUMIDITY DA32-00034D,5V,0~100%RH,350mm	SA
2-4		PLATE INS-REF BRW9000R,Al,T0.5	SNA
2-5		PLATE COOLING-REF BRW9000R,STS201,T0.5,STSHC, H-H/L, DAC-SV1301RS(S5)	SNA
2-6		COVER EVAP-REF BRW9000R,HIPS,HB,INOX GRAY	SNA
2-7		COVER EVAP-REAR BRW9000R,PP,HB,BLACK	SNA
3	114425	ASSY EVAP-REF BRW9000R,FIN TUBE,AL,120V,100W	SA
3-1	114002	SENSOR TEMP DKST1329GW,DOUBLE_ INSULATION,200mm,13.2kohm	SA
3-2	114004	THERMO FUSE-ASSY AC250V,10A,109~110°C,S.O.D,ETC(WIRE)	SA
3-3	114426	HEATER METAL SHEATH AC120V,BI WINE,85W,INCOLOY840,Bimet al,35965-9213,MgO	SA
3-4	110795	FIXER-SENER AW-PJT,PP,NATURAL,V-0	SA
3-5	114427	FIXER FUSE CULLI_09,PP,T2,NATURAL,HB,BJ750	SA
3-6	114428	PLATE-DRAIN EVAP REF HERMES, GUGGENHEIM,Al,T0.3	SA
3-7	114429	PLATE-EVAP BRACKET REF HERMES/GUGGENHEIM,A1100,T0.7	SA
3-8	110822	FIXER-HEATER WIRE REF HM/GGH/HAEMIL,PP,T2,NATURAL,FH44N	SA

DRW24980RAP Refrigerator

Service Bom (SA: SERVICE AVAILABLE, SNA: SERVICE NOT AVAILABLE)

Ref	Dacor Part#	Description	SA/SNA
4		ASSY SUPPORT BRW9000R,B-LUX SILVER,WINE HOLDER	SNA
4-1	114430	ASSY SUPPORT BRW9000R,T2.5,BLACK,WINE HOLDER	SA
5	114431	ASSY SHELF-LOW BRW9000R	SA
6		ASSY SHELF-KIT BRW9000R	SNA
6-1	114432	ASSY RACK WINE BRW9000R,WOOD, AL TRIM	SA

■ CABINET



DRW24980RAP Cabinet

Service Bom (SA: SERVICE AVAILABLE, SNA: SERVICE NOT AVAILABLE)

Ref	Dacor Part#	Description	SA/SNA
1		ASSY CABI FRAME BRW9000R,24"-W,RIGHT OPEN	SNA
1-1		ASSY CABI FRAME- UP FRONT BRR9000M,24inch,Column,Refrigerator	SNA
1-1-1	110658	SCREW-TAPPING TH,+,-,2,M5,L16,ZPC(WHT),SWRCH18A,-	SA
2	114433	ASSY PARTITION-UP BRW9000N	SA
2-1	110649	SCREW-TAPPING TH,+,-,NO,1,M4,L8,ZPC(WHT),SWRCH18A	SA
2-2	110659	SCREW-TAPPING PH,+,-,NO,2S,M3,L8,ZPC(WHT),SWRCH18A	SA
2-3	110661	SCREW-TAPPING FH,+,-,NO,1,M4,L14,ZPC(WHT),SWRCH18A	SC
2-4	114434	SENSOR TEMP DKST1329GW,QUEEN,-50 ~ 80 °C,5V,-,-,R SENSOR,YELLOW,300mm	SA
2-5	114435	INSULATION PARTITION BRW9000N,PS FOAM,WHITE	SA
2-6	114436	COVER LED-FRONT BRW9000,HIPS,COOL WHITE	SA
2-7	114437	PARTITION-UP BRW9000N,ABS,INOX GRAY	SA
2-8	114438	PARTITION-LOW BRW9000N,ABS,INOX GRAY	SA
2-9	114439	ASSY WIRE HARNESS-DISPLAY BI WINE,12VDC,UL,Partition Display	SA
2-10	114440	ASSY LAMP LED 15,FR-4,461.2*16,SMAW205-H03G, LEKD-02RS-2T,DC12V	SA
2-11	114441	ASSY COVER CONTROL BRW9000R,PARTITIOIN DISPLAY	SA
2-12		GROMMET-B BRW9000R,EPDM,ALL BLACK	SNA
2-13		TRIM COVER BRW9000R,ABS,HG-0760GP,INOX GRAY	SNA
3	114442	ASSY PARTITION- RIGHT BRW9000N	SA
3-1	110649	SCREW-TAPPING TH,+,-,NO,1,M4,L8,ZPC(WHT),SWRCH18A	SA
3-2	110661	SCREW-TAPPING FH,+,-,NO,1,M4,L14,ZPC(WHT),SWRCH18A	SC
3-3	114434	SENSOR TEMP DKST1329GW,QUEEN,-50 ~ 80 °C,5V,-,-,R SENSOR,YELLOW,300mm	SA

DRW24980RAP Cabinet

Service Bom (SA: SERVICE AVAILABLE, SNA: SERVICE NOT AVAILABLE)

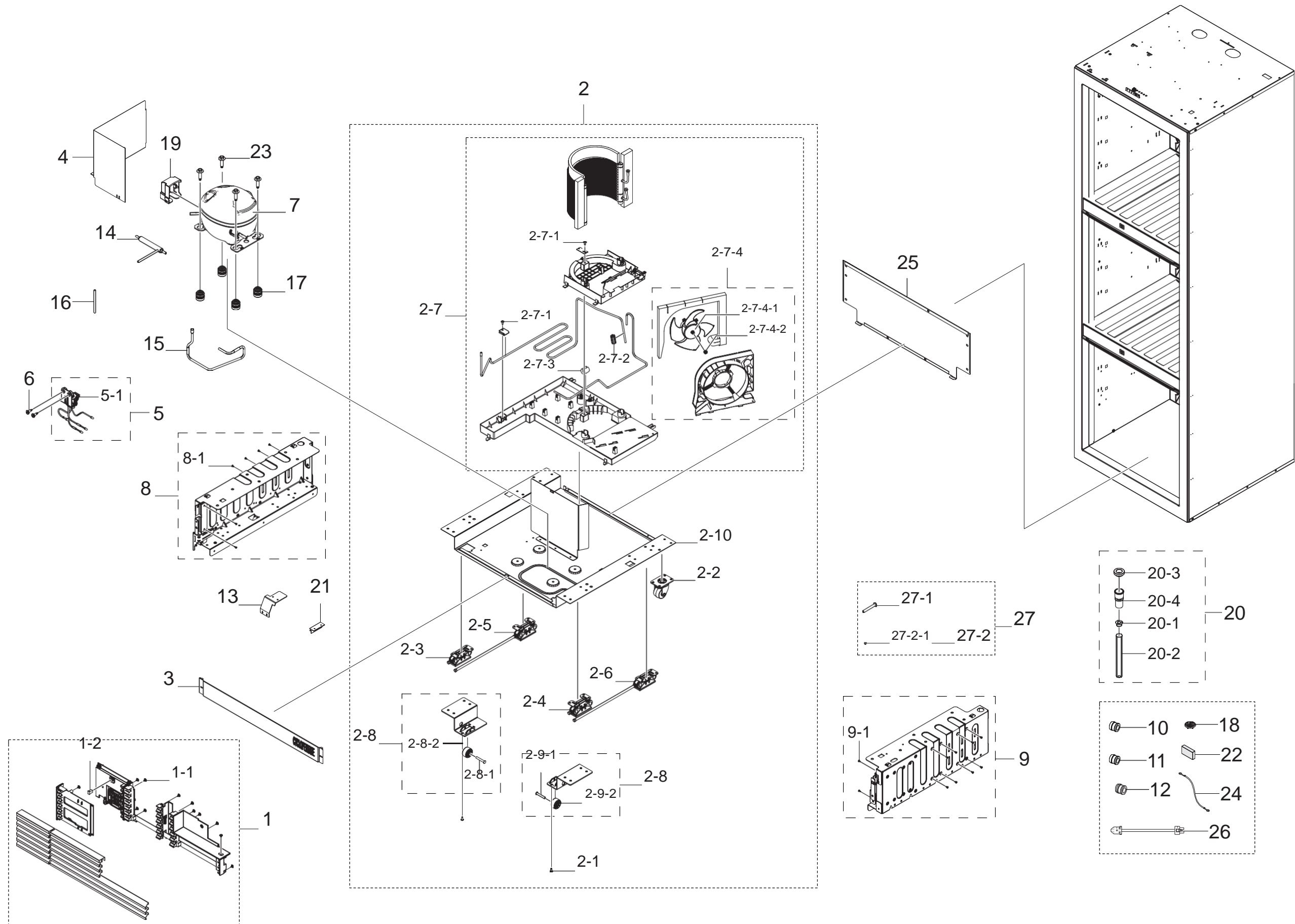
Ref	Dacor Part#	Description	SA/SNA
3-4	114435	INSULATION PARTITION BRW9000N,PS FOAM,WHITE	SA
3-5	114443	COVER LED-FRONT BRW9000,HIPS,INOX GRAY	SA
3-6	114437	PARTITION-UP BRW9000N,ABS,INOX GRAY	SA
3-7	114438	PARTITION-LOW BRW9000N,ABS,INOX GRAY	SA
3-8	114444	ASSY COVER CONTROL-SUB BRW9000R,METAL GRAY,NON DISPLAY PARTITION	SA
3-9		GROMMET-B BRW9000R,EPDM,ALL BLACK	SNA
4		ASSY CABI FRAME- REAR BRR9000M,24inch,Column,Refrigerator	SNA
5		ASSY GUIDE HOSE- BOTTOM BRR9000M,T1.5,L800	SNA
6		ASSY LINER BRW9000N	SNA
6-1	110649	SCREW-TAPPING TH,+,NO,1,M4,L8,ZPC(WHT),SWRCH18A	SA
6-2		ASSY LINER WINE	SNA
6-2-1	110659	SCREW-TAPPING PH,+,NO,2S,M3,L8,ZPC(WHT),SWRCH18A	SA
6-2-2	111061	COVER LAMP-SIDE BRR9000M,HIPS,T2,WHITE,COLUMN SIDE	SA
6-2-3	111069	COVER LAMP-SIDE BRR9000M,HIPS,T2,INNER WHITE,30 SIDE R	SA
6-2-4	114445	COVER LAMP-UP BRW9000N,HIPS,T2,INNER WHITE,24 TOP	SA
6-2-5	114446	ASSY LAMP LED 30,FR-4,520*16,DEM1-B0031,Min 372,DC12V	SA
6-2-6	114447	ASSY LAMP LED 18,FR-4,553.6*16,SMAW205-H03G, LEKD- 02RS-2T,DC12V	SA
6-2-7	114448	ASSY LAMP LED 18,FR-4,553.6*16,LEK-01PS-2T, LEKD- 02RS-2T,DC12V	SA
6-2-8	114449	ASSY LAMP LED 18,FR-4,553.6*16,SMAW205-H03G, LEK- 01PS-2T,DC12V	SA
6-3		ASSY LINER-REF BRW9000N	SNA
6-3-1	110647	SCREW-TAPPING TH,+,1,M4,L12,ZPC(WHT),SWRCH18A	SA

DRW24980RAP Cabinet

Service Bom (SA: SERVICE AVAILABLE, SNA: SERVICE NOT AVAILABLE)

Ref	Dacor Part#	Description	SA/SNA
6-3-2	114450	DRAIN HOSE 2DOOR,PE,NATURAL	SA
6-3-3		CASE LINER BRW9000N,ABS,T2.5,INOX GRAY,HG- 0760GP	SNA
6-4		ASSY PIPE SUCTION BRW9000R,PARALLEL,OD7.94,T0.45,C122 0T,-,-	SNA
6-4-1	110923	SEAL CUTT-RUBBER RR2500K,RUBBER,BLACK,T5,W50,L65,BUT YL RUBBER	SA
6-5		ASSY PLATE GRILLE BRW9000N	SNA
6-5-1	110837	FIXER AW2-14,POM,WHITE,HB,K-300	SA
6-5-2	114451	ASSY RAIL-LEFT BRW9000R,400mm	SA
6-6		ASSY PLATE GRILLE BRW9000N	SNA
6-6-1	110837	FIXER AW2-14,POM,WHITE,HB,K-300	SA
6-6-2	114452	ASSY RAIL-RIGHT BRW9000R,400mm	SA
7	114453	COVER SENSOR BRW9000N,ABS,T1.5,INOX GRAY,HG- 0760GP	SA
8	114454	SENSOR TEMP PX-41C,QUEEN PJT,-10°C ~ 35°C ,5V,-,- ,CONVERTIBLE ROOM,WHITE,100MM	SC

■ CYCLE



DRW24980RAP Cycle

Service Bom (SA: SERVICE AVAILABLE, SNA: SERVICE NOT AVAILABLE)

Ref	Dacor Part#	Description	SA/SNA
1	114455	ASSY CHASSIS AIR GRILLE BRR9000M,24", R-HINGE, CAP GRILLE	SA
1-1	110649	SCREW-TAPPING TH,+,NO,1,M4,L8,ZPC(WHT),SWR CH18A	SA
1-2	111121	LATCH LATOUR,POM,NATURAL,DC LATCH	SA
2	114456	ASSY CHASSIS COMP BRW9000R(24inch),No Holder wire	SA
2-1	110647	SCREW-TAPPING BRR9000M,MSWR,OD40,BLACK	SA
2-2	110910	CASTER BRR9000M,MSWR,OD40, BLACK	SA
2-3	111390	ASSY LEG-FRONT BRR9000M	SA
2-4	111391	ASSY LEG-FRONT BRR9000M,RIGHT	SA
2-5	111392	ASSY LEG-REAR BRR9000M	SA
2-6	111393	ASSY LEG-REAR BRR9000M,RIGHT	SA
2-7	111525	ASSY TRAY DRAIN WATER BRR9000M(24inch)	SA
2-7-1	110647	SCREW-TAPPING BRR9000M,MSWR,OD40,BLACK	SA
2-7-2	111006	GROMMET-IMMERSION PIPE B ROMANEE CONTI,NBR,BLACK	SA
2-7-3	111074	GROMMET-SUCT PIPE A NBR,-,ID4,OD20	SC
2-7-4	111408	ASSY SUPPORT-CIRCUIT MOTOR BRR9000M(18"),C150Q	SA
2-7-4-1	110695	MOTOR BLDC FAN ARCS2088RB,1230,12V,1.15W,L150	SA
2-7-4-2	110913	SPRING ETC-FAN STS304,PI8.8,ID7.8,OD9.8,L5.0,FD	SA
2-8	111533	ASSY CASTER BRR9000M,GI-SGCC,T3.0,LEFT	SA
2-8-1	110757	PIN-CASTER SR-289-429,MSWR10,L38,ZPC2	SA
2-8-2	110821	CASTER-REAR GRAND-CRU,PP,NATURAL	SA
2-9	111534	ASSY CASTER-FRONT BRR9000M,GI-SGCC,T3.0,RIGHT	SA
2-9-1	110757	PIN-CASTER SR-289-429,MSWR10,L38,ZPC2	SA
2-9-2	110821	CASTER-REAR GRAND-CRU,PP,NATURAL	SA
2-10		CHASSIS COMP BRM9000M,GI-SGCC,T1.6,-,AUTO	SNA

DRW24980RAP Cycle

Service Bom (SA: SERVICE AVAILABLE, SNA: SERVICE NOT AVAILABLE)

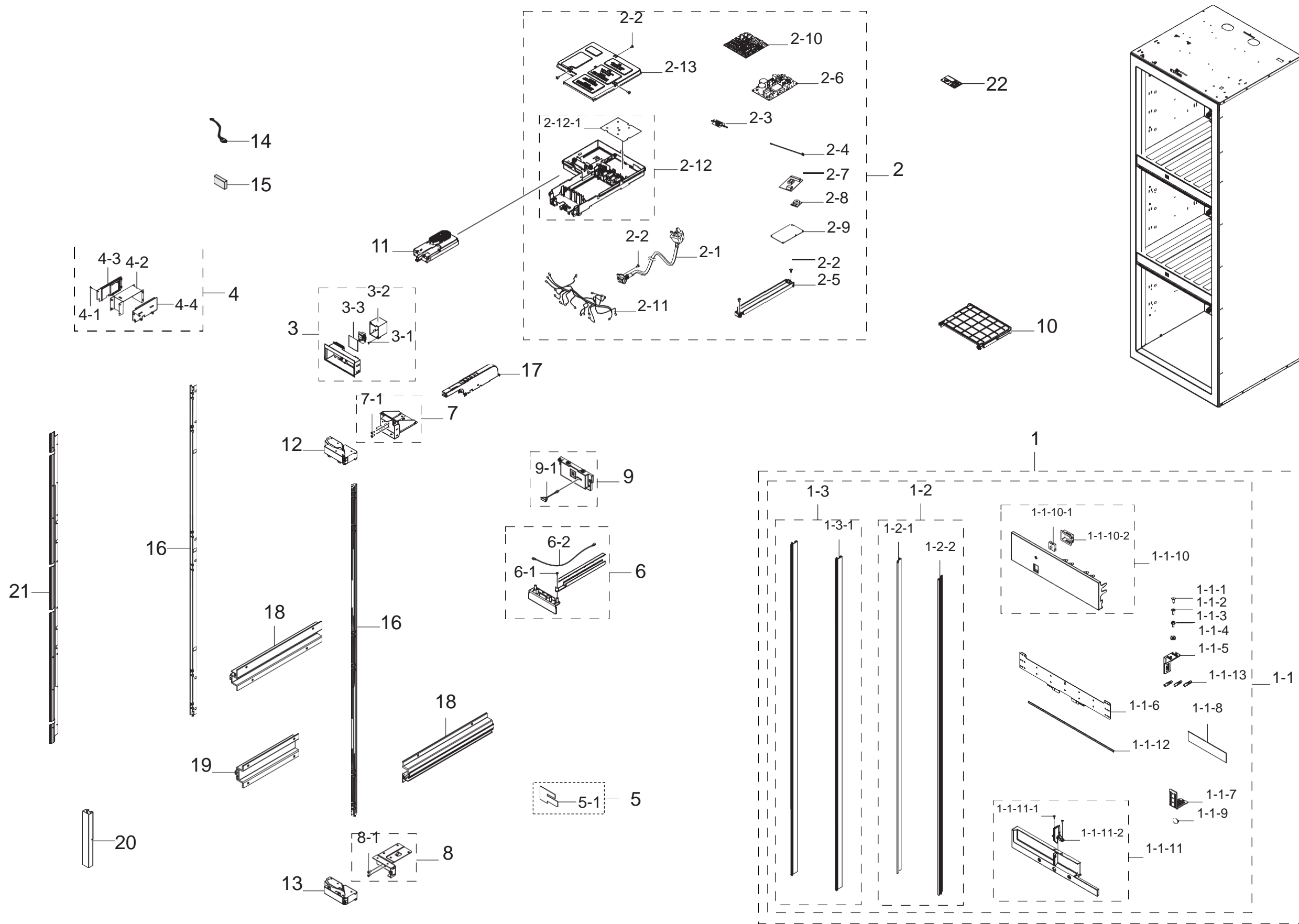
Ref	Dacor Part#	Description	SA/SNA
3	111654	ASSY COVER COMP-LOW BRR9000M,24"	SA
4	111680	ASSY PARTITION BRR9000M,24" Column	SA
5	114457	ASSY STEP VALVE BRW9000R,DC12V,MODULE,3,BI WINE, RUBBER-BUTYL	SA
5-1	114458	VALVE STEP DC12V,MODULE,3,BI WINE	SA
6	111689	FIXER-STEP MOTOR RUBY,SWRCH18A	SA
7		COMPRESSOR,BLDC IPM,5.99CC,115/220V,STAT	-
8	111383	ASSY CABI FRAME-SIDE LEFT BRR9000M,GI-SGCC,T1.6,RIGHT DOOR	SA
8-1	110647	SCREW-TAPPING BRR9000M,MSWR,OD40,BLACK	SA
9	111387	ASSY CABI FRAME-SIDE RIGHT BRR9000M,GI-SGCC,T1.6,RIGHT DOOR	SA
9-1	110647	SCREW-TAPPING BRR9000M,MSWR,OD40,BLACK	SA
10	110746	FITTING-LOKRING 33 SUM23,33, 11SMnPb30K	SA
11	110747	FITTING LOKRING SUM23,ID5.02,11SMnPb30K,St 56	SA
12		FITTING-LOKRING SUM23,LOKRING 2 N St 20	SNA
13	110909	BRACKET-LOCK GI-SGCC,T2	SA
14	110940	DRYER C1220T-H,114,SINGLE MOUTH,R-600a Only,18.7,9g	SA
15	110945	PIPE CONNECT-SUCTION BRR9000M(24inch),Cu,OD6.35, T0.6,C1220T-O	SA
16	114459	PIPE CONNECT-DISC BRW9000R(24inch),Cu,OD6.35,T0.65,C1220T,R-600a Only, L180	SA
17	114460	GROMMET COMP NN34J9902AP,IIR,ALL BLACK,H28.3, L21.3	SA
18	110990	COVER-URETHANE AW-PJT,ABS,BLACK,5VA	SA
19	111001	COVER RELAY MSV,MPPO,T2,BLACK,V-0	SA
20	111338	ASSY CAP-DRAIN AW3	SA
20-1	110811	FIXER-DRAIN HAEMIL,PP,T0.6,CARMEN WINE,BJ750	SA
20-2	110928	TUBE PVC AW3,PVC,OD19.4,L155,BLACK	SA
20-3	110982	GROMMET-DRAIN RS18RK,NBR,-,-,-,-,BLK,-	SA
20-4	111128	CAP-DRAIN AW4,HIPS,HB,S834S1,NATURAL	SA

DRW24980RAP Cycle

Service Bom (SA: SERVICE AVAILABLE, SNA: SERVICE NOT AVAILABLE)

Ref	Dacor Part#	Description	SA/SNA
21	111149	PARTITION-UP BRR9000M,HIPS,T1.2	SA
22	111162	SEAL CUTT-RUBBER W2- 05,RUBBER,BLACK,T8,W100,L100	SA
23	110677	BOLT-HEX M6,L43.6,SWRCH10A	SA
24	110722	ASSY WIRE HARNESS- EARTH EARTH,ALL,,,,,FREEVOLT,UL+IEC,U L,,,,,120mm,1,ST710489-3*2	SA
25	114461	COVER COMP-REAR BRW9000,GI-SGCC,T0.8,Wine	SA
26	111246	ASSY WIRE HARNESS-COMP ALL,ALL,FREE VOLT,UL+IEC,UL+IE C,NA,280mm*3,3,INV	SA
27		ASSY MANUAL BRW9000R,WINE,DACOR	SNA
27-1	113681	ASSY HINGE-SUB BUILT-IN,OPENING LIMITER PIN	SA
27-2		ASSY FIXER BRW9000R,ASSY FIXER	SNA
27-2-1	110649	SCREW-TAPPING TH,+,NO,1,M4,L8,ZPC(WHT),SWR CH18A	SA

■ OUTER



DRW24980RAP Outer

Ref	Dacor Part#	Description	SA/SNA
1		ASSY INSTALL BRR9000M,24"-R,RIGHT HINGE	SNA
1-1	112209	ASSY INSTALL 24IN FRIDGE(RIGHT HINGE)	SNA
1-1-1	110648	SCREW-TAPPING TH,+,1,M4,L16,ZPC(WHT),SWRCH18A	SA
1-1-2	110661	SCREW-TAPPING FH,+,NO,1,M4,L14,ZPC(WHT),SWRCH18A	SC
1-1-3	110679	BOLT-HEX M6,L12,ZPC(WHT),SWRCH10A	SA
1-1-4	110680	NUT-HEXAGON FLANGE M8,SWRCH10A,FLANGE, M8*1.25p	SA
1-1-5	110889	GUIDE PANEL BRR9000M,HIPS,S834S1,COOL WHITE	SA
1-1-6	110901	BRACKET-WOOD BRR9000M,PO-SPHC,T2.3,COLUMN 24"	SA
1-1-7	110903	SUPPORT-REF BRR9000M,PO-SPHC,T2.6,Anti Tip	SA
1-1-8	114462	SEAL CABI PE FOAM,T3,W150,single-sided adhesive	SA
1-1-9	111129	CAP SCREW BRR9000M,ABS,HB,HG-0760GP,INOX GRAY,B Lux Silver	SA
1-1-10	111502	ASSY TOP TABLE-FRONT BRR9000M,24-IN	SA
1-1-10-1	110711	SENSOR PHOTO 5V	SA
1-1-10-2	111033	COVER TOP TABLE BRR9000M,ABS,HB,INOX GRAY	SA
1-1-11	111636	ASSY CAP DOOR-LOW RIGHT BRR9000M,ABS,24"	SA
1-1-11-1	110647	SCREW-TAPPING TH,+,1,M4,L12,ZPC(WHT),SWRCH18A	SA
1-1-11-2	110862	GUIDE AIR-A BRR9000M,ABS,HB,HG-0760GP,INOX GRAY,B LUX SILVER SPRAY	SA
1-1-12	111666	ASSY TRIM KIT BRR9000M,24"Column	SA
1-1-13	114463	HOLDER LOCK PP,Null,6,L30,-,-,BJ750,S-PJT	SA
1-2	112213	ASSY TRIM CASE DOOR BRR9000M,LUMINOUS,1920,SILVER,COLUMN	SNA
1-2-1	111086	TRIM DOOR-LEFT BRR9000M,ABS,XM-0900,VF SILVER,COLUMN ALL, LUMINOUS TRIM	SA
1-2-2	111087	TRIM DOOR-RIGHT BRR9000M,ABS,XM-0900,VF SILVER,COLUMN ALL, LUMINOUS TRIM	SA
1-3	111656	ASSY TRIM KIT BRR9000M	SA
1-3-1	111093	TRIM COVER BRR9000M,AI,BI-327	SA

DRW24980RAP Outer

Ref	Dacor Part#	Description	SA/SNA
2		ASSY CASE PBA-MAIN BRW9000R	SNA
2-1	110639	POWER CORD-AT SPT-3 3x18AWG 105C,BLK,US3F- 1,125V/15A,Fuse N,SCREW 1,2P Housing(W to W),L2200,L2000,20/100/100/200,USA,UL/CSA,FERRITE C	SA
2-2	110647	SCREW-TAPPING TH,+,1,M4,L12,ZPC(WHT),SWRCH18A	SA
2-2	110647	SCREW-TAPPING TH,+,1,M4,L12,ZPC(WHT),SWRCH18A	SA
2-2	110647	SCREW-TAPPING TH,+,1,M4,L12,ZPC(WHT),SWRCH18A	SA
2-3	114464	COIL FILTER 22mH,82*60,8A,0.68uF/0.47uF,1000pF /1000pF,CAPZERO IC, FUSE	SA
2-4	110709	SENSOR HUMIDITY 5V,0~100%RH,REF	SA
2-5	114465	GUIDE-UP BRR9000M,ABS+PC,5VB,HN- 1074,EBONY BLACK,Column 30" REF, 5VB	SA
2-6	111197	ASSY PCB INVERTER INVERTER,LC3_3050_ V2,163*98.5,Y,110V,15V, 5V,6.5K	SA
2-7	111198	ASSY MODULE STD#9 SMPS,RF9500(Family Hub),12V 7000mA, 5V 550mA	SA
2-8	111199	ASSY MODULE BUZZER PBA,RB6000K	SA
2-9	111204	ASSY MODULE PBA-FUSE BLOCK,BRZ9000M,30*55, 2.0A	SA
2-10	114466	ASSY PCB EEPROM 0x83,D602,D608,BRW9000N,DA92-00958J,WINE-3ROOM,US	SA
2-11	114467	ASSY WIRE HARNESS- ETC BI WINE,FREE VOLT,IEC+UL,UL,UL, TOP,PBA	SA
2-12	111612	ASSY CASE PBA BRR9000M,COLUMN30"REF,SUB ASSY	SA
2-12-1	110904	PLATE COVER AI,T0.15,FDR	SA
2-13	114468	ASSY COVER PBA BRR9000M,COLUMN30"REF,SVC	SA
3	111681	ASSY COVER HINGE-UP RIGHT BRR9000M,Column RIGHT ALL	SA
3-1	110660	SCREW-TAPPING FH,+,1,M4,L18,ZPC(WHT),SWRCH18A	SA
3-2	111041	COVER HINGE-UP RIGHT BRR9000M,PC,5VB,EBONY BLACK,HN-1074	SA
3-3	111042	COVER FRONT BRR9000M,ABS,HB,INOX GRAY,ABS,HG-0760GP	SA
3-4	111275	ASSY WIRE HARNESS- ETC BRR9000M,30~36" REF, FRE,1- DOOR,FREE VOLT,UL+IEC,UL,UL,6,8	SA

DRW24980RAP Outer

Ref	Dacor Part#	Description	SA/SNA
4		ASSY CASE SUB BR9000M,1.5,82,200,BLACK,A20	SNA
4-1	110649	SCREW-TAPPING TH,+,NO,1,M4,L8,ZPC(WHT),SWRCH18A	SA
4-2	114012	CASE PCB BUILT IN,PC,EBONY BLACK,5V-B,HN-1074	SA
4-3	114029	COVER PCB-LEFT BUILT IN,PC,5VB,EBONY BLACK,HN-1074	SA
4-4	114030	COVER PCB-RIGHT BUILT IN,PC,5VB,EBONY BLACK,HN-1074	SA
5	114115	ASSY COVER CASE BR9000M,ABS,T1.2,INOX GRAY,B- LUX SILVER SPRAY,RIGHT HINGE	SA
5-1	111152	CAP HINGE-UP RIGHT BR9000M,ABS,T1.2,HG-0760GP,INOX GRAY,RIGHT HINGE	SA
6	114469	ASSY COVER HINGE-UP RIGHT BRW9000,WINE	SA
6-1	110671	SCREW-TAPPING PWH,+,PW,1,M4,L16,ZPC(WHT),SWRCH 18A	SA
6-2	114470	ASSY WIRE HARNESS- ETC BI WINE,FREE VOLT,IEC+UL,UL,UL,Hinge	SA
7	111457	ASSY REINF-UP RIGHT BR9000M,ZPC3	SA
7-1	110678	BOLT-ETC M6,L20,ZPC(WHT),SWRCH18A,FH	SA
8	111459	ASSY REINF-LOW RIGHT BR9000M,ZPC3	SA
8-1	110678	BOLT-ETC M6,L20,ZPC(WHT),SWRCH18A,FH	SA
9	111620	ASSY COVER-FRONT BR9000M,COLUMN30"REF	SA
9-1	110716	SWITCH REED UL1007 AWG 22,100mm,DEM1-B5034,13mm,25mm,100mm	SA
10	111623	ASSY COVER-FRONT UP BR9000M,COLUMN30"REF	SA
11	113721	ASSY EASY OPEN 12V (65mm())	SA
12	111379	ASSY HINGE-UP BUILT-IN,K05-X	SA

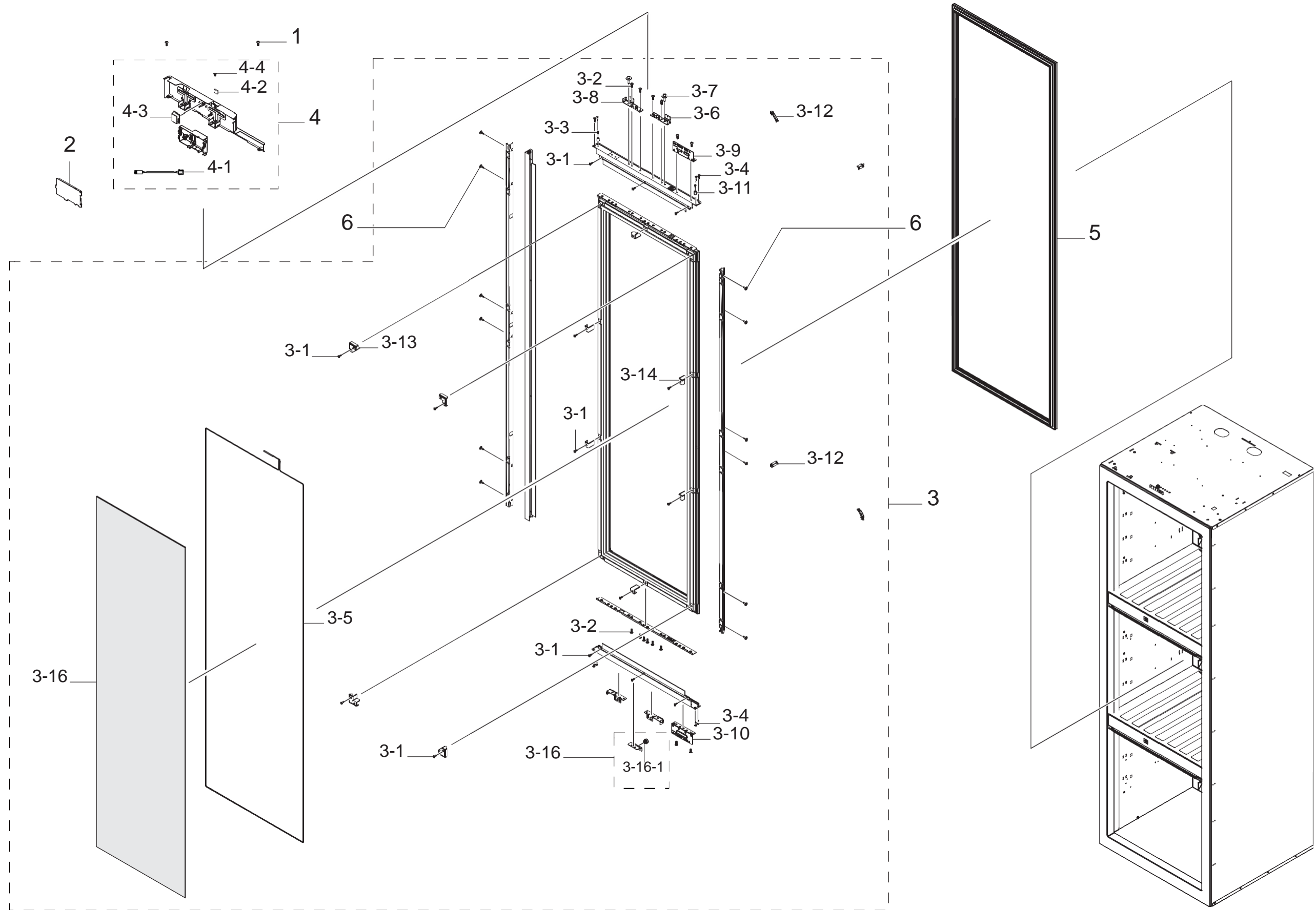
DRW24980RAP Outer

Ref	Dacor Part#	Description	SA/SNA
13	111380	ASSY HINGE-LOW BUILT-IN,K05-X	SA
14	114471	ASSY WIRE HARNESS- ETC BI WINE,FREE VOLT,IEC+UL,UL,Wifi	SA
15	111162	SEAL CUTT-RUBBER W2-05,RUBBER,BLACK,T8,W100,L100	SA
16	110846	BRACKET-MIDDLE BRR9000M,CR-SPCC,T1.2,COLUMN	SA
17	110866	GUIDE-UP BRZ30980LPR,ABS,T2.5,HB,INOX GRAY,HG-0760GP	SA
18	110892	RAIL BRR9000M,ABS,EBONY BLACK	SA
19	110895	RAIL-LEFT BRR9000M,ABS,EBONY BLACK,HG- 0760GP	SA
20	111058	COVER WIRE BRR9000,ABS,HB,COOL WHITE,HG- 0760GP	SA
21	113842	CHASSIS CABI BRR9000M,GI-SGCC,T0.8,-	SA
22	114472	W-LAN MODULE CWAM210S,REF2,PF#3,19K,IEE E802.11,2.4GHz,ARTIK 051,5V, 12V, UART,SISO,54.0x30.0x6.45mm,-20to+70C	SA

DRW24980RAP Outer

Ref	Dacor Part#	Description	SA/SNA
13	111380	ASSY HINGE-LOW BUILT-IN,K05-X	SA
14	114471	ASSY WIRE HARNESS- ETC BI WINE,FREE VOLT,IEC+UL,UL,Wifi	SA
15	111162	SEAL CUTT-RUBBER W2-05,RUBBER,BLACK,T8,W100,L100	SA
16	110846	BRACKET-MIDDLE BRR9000M,CR-SPCC,T1.2,COLUMN	SA
17	110866	GUIDE-UP BRZ30980LPR,ABS,T2.5,HB,INOX GRAY,HG-0760GP	SA
18	110892	RAIL BRR9000M,ABS,EBONY BLACK	SA
19	110895	RAIL-LEFT BRR9000M,ABS,EBONY BLACK,HG- 0760GP	SA
20	111058	COVER WIRE BRR9000,ABS,HB,COOL WHITE,HG- 0760GP	SA
21	113842	CHASSIS CABI BRR9000M,GI-SGCC,T0.8,-	SA
22	114472	W-LAN MODULE CWAM210S,REF2,PF#3,19K,IEE E802.11,2.4GHz,ARTIK 051,5V, 12V, UART,SISO,54.0x30.0x6.45mm,-20to+70C	SA

■ ASSYDOORREF



DRW24980RAP Assy. Door Ref

Service Bom (SA: SERVICE AVAILABLE, SNA: SERVICE NOT AVAILABLE)

Ref	Dacor Part#	Description	SA/SNA
1	110658	SCREW-TAPPING TH,+,- ,2,M5,L16,ZPC(WHT),SWRCH18A,-	SA
2	111071	COVER PBA BRR9000M,ABS,INOX GRAY,WIFI MODULE,RIGHT	SA
3	114473	ASSY DOOR FRAME BRW9000,B LUX DARK SILVER,GLASS	SA
3-1	110655	SCREW-TAPPING TH,+,-,NO,1,M4,L14,PASS,STS304	SA
3-2	110658	SCREW-TAPPING TH,+,-,2,M5,L16,ZPC(WHT),SWRCH18A,-	SA
3-3	110659	SCREW-TAPPING PH,+,-,NO,2S,M3,L8,ZPC(WHT),SWRCH 18A	SA
3-4	110660	SCREW-TAPPING FH,+,-,1,M4,L18,ZPC(WHT),SWRCH18A	SA
3-5		HEATER CORD-DOOR DC12V,BI WINE,33.5W,NA,NA,PVC	SNA
3-6	110845	BRACKET-UP BRR9000M,PO-SPHC,T2.3,RIGHT	SA
3-7	110847	FIXER-UP FRONT BRR9000M,SWRCH10A,M6, ZINC ELECTROPLATING	SA
3-8	110848	BRACKET-UP BRR9000M,PO-SPHC,T2.3,LEFT	SA
3-9	110868	BRACKET HINGE-REF UP BRR9000M,PO-SPHC,T2.5,WASHER WELDING	SA
3-10	110870	BRACKET HINGE-REF LOW BRR9000M,PO-SPHC,T2.5,WASHER WELDING	SA
3-11	110906	FIXER BRR9000M,ABS,NATURAL,HG-0760GP	SA
3-12		SUPPORT CAP DOOR BRW9000,ABS,T1.2,FM6341HF,INOX METAL	SNA
3-13		SUPPORT DOOR-IN BRW9000,Si,ALL BLACK,HARDNESS 80	SNA
3-14		SUPPORT DOOR-MIDDLE BRW9000,Si,ALL BLACK,HARDNESS 80	SNA
3-15		GLASS-DOOR BRW9000R,GLASS,T36,W478 ,L1636.5,1636.5*478*36	SNA
3-16	111685	ASSY DOOR BRR9000M	SA
3-16-1	111353	ASSY FIXER-MOVABLE HAEMIL,CREAMY STS,MATERIAL CHANGE(FIXER)	SA

DRW24980RAP Assy. Door Ref

Ref	Dacor Part#	Description	SA/SNA
4	111453	ASSY CAP DOOR-UP RIGHT BRR9000M,ABS,24"	SA
4-1	110710	SENSOR HUMIDITY 5V,0~100%RH,REF,250mm	SA
4-2	110798	MAGNET SVETA,FERRITE,1600Gauss	SA
4-3	111033	COVER TOP TABLE BRR9000M,ABS,HB,INOX GRAY	SA
4-4	111133	CAP-SHAFT HOLE AW3,ABS,HG-0760GP,SNOW WHITE	SA
5	114474	ASSY GASKET BRW9000R,DARK GRAY,H1679,W520.5	SA
6	110671	SCREW-TAPPING PWH,+,PW,1,M4,L16,ZPC(WHT),SWRC H18A	SA