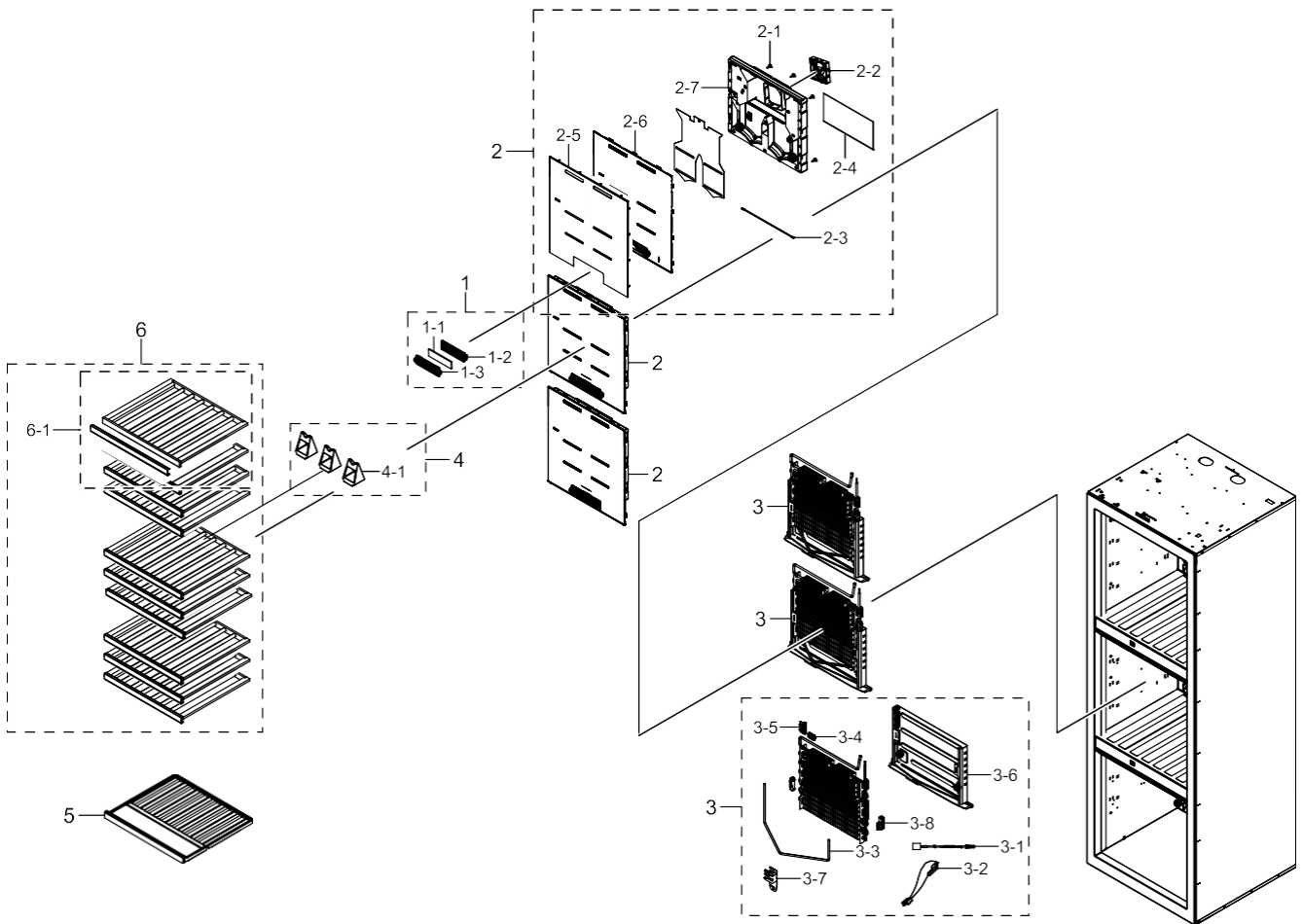


1. Refrigerator DRW24980LAP

Exploded View



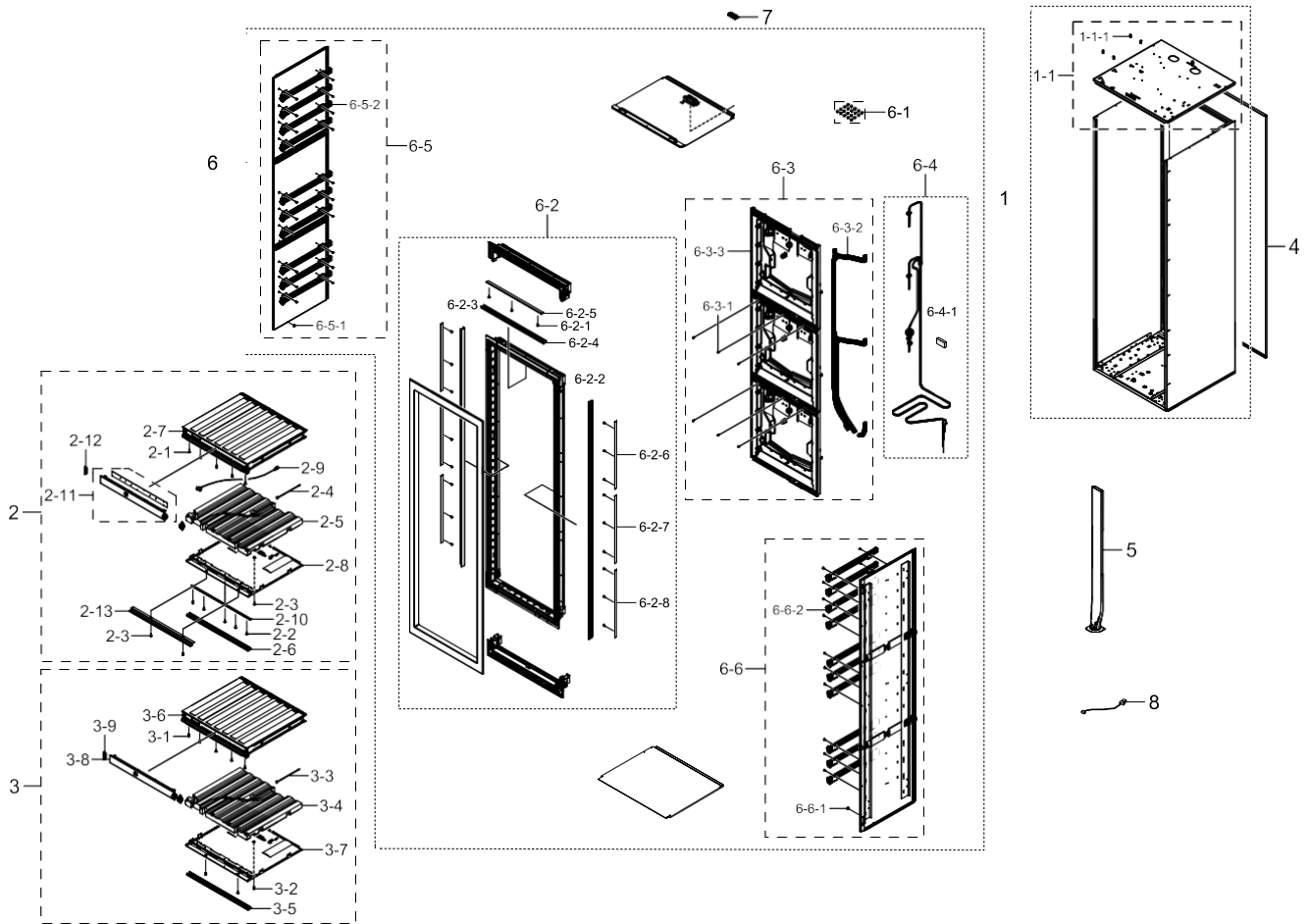
Parts List

Ref#	Dacor Part#	Description	SNA
1	114421	ASSY COVER DEODORIZER; BRW9000R,INOX META	SA
1-1	114422	CATALYST; T2.5,W39,L143,Activated Carbon	SA
1-2		COVER DEODORIZER; BRW9000R,HIPS,HB,INOX G	SNA
1-3		COVER DEODORIZER; BRW9000R,HIPS,HB,INOX G	SNA
2	114423	ASSY COVER EVAP-REF; BRW9000R,METAL	SA
2-1	110655	SCREW-TAPPING; TH,+,NO,1,M4,L14,PASS,STS3	SA
2-2	114424	MOTOR BLDC FAN; U92C12MS1B3-52K,3115.5-35	SA
2-3	110701	SENSOR HUMIDITY; DA32-00034D,5V,0~100%RH,	SA
2-4		PLATE INS-REF; BRW9000R,AI,T0.5	SNA
2-5		PLATE COOLING-REF; BRW9000R,STS201,T0.5,S	SNA
2-6		COVER EVAP-REF; BRW9000R,HIPS,HB,INOX GRA	SNA
2-7		COVER EVAP-REAR; BRW9000R,PP,HB,BLACK	SNA

Ref#	Dacor Part#	Description	SNA
3	114425	ASSY EVAP-REF; BRW9000R,FIN TUBE,120V,85W	SA
3-1	114002	SENSOR TEMP; DKST1329GW,DOUBLE_INSULATION	SA
3-2	114004	THERMO FUSE-ASSY;AC250V,10A,109~110°C,S.O	SA
3-3	114426	HEATER METAL SHEATH; AC120V,BI WINE,85W,I	SA
3-4	110795	FIXER-SENSER; AW-PJT,PP,NATURAL,V-0	SA
3-5	114427	FIXER FUSE; CULLI_09,PP,T2,NATURAL,HB,BJ7	SA
3-6	114428	PLATE-DRAIN EVAP REF; HERMES, GUGGENHEIM,	SA
3-7	114429	PLATE-EVAP BRACKET REF; HERMES/GUGGENHEIM	SA
3-8	110822	FIXER-HEATER WIRE REF; HM/GGH/HAEMIL,PP,T	SA
4		ASSY SUPPORT; BRW9000R,B-LUX SILVER,WINE	SNA
4-1	114430	ASSY SUPPORT; BRW9000R,T2.5,BLACK,WINE HO	SA
5	114431	ASSY SHELF-LOW; BRW9000R	SA
6		ASSY SHELF-KIT; BRW9000R	SNA
6-1	114432	ASSY RACK WINE; BRW9000R,WOOD, AL TRIM	SA

2. Cabinet DRW24980LAP

Exploded View



Parts List

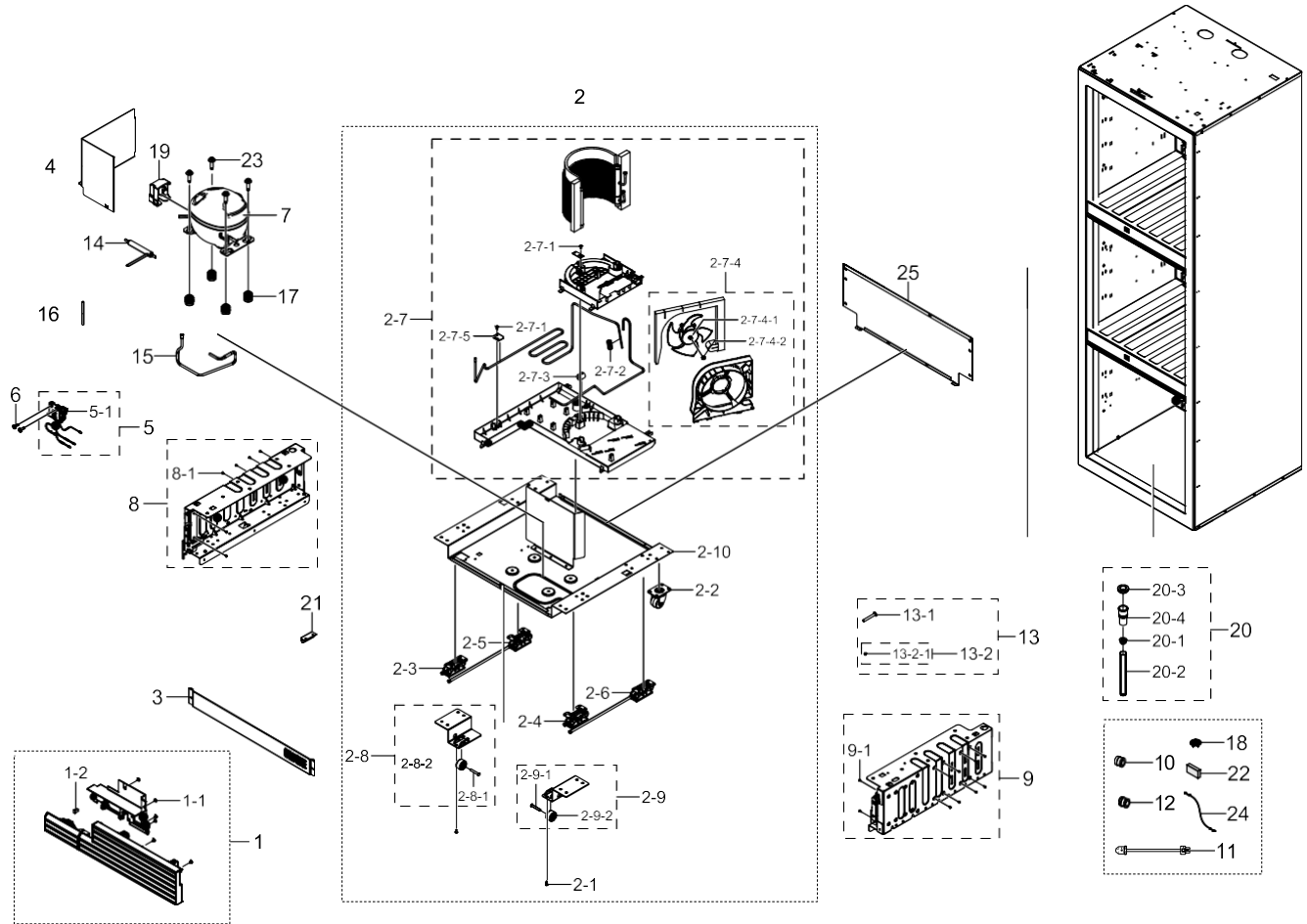
Ref#	Dacor Part#	Description	SNA
1		ASSY CABI FRAME; BRW9000R,24"-W,LEFT OPEN	SNA
1-1		ASSY CABI FRAME-UP FRONT; BRR9000M,24inch	SNA
1-1-1	110658	SCREW-TAPPING; TH,+,-,2,M5,L16,ZPC(WHT),S	SA
2	114433	ASSY PARTITION-UP; BRW9000N	SA
2-1	110649	SCREW-TAPPING; TH,+,-,NO,1,M4,L8,ZPC(WHT),S	SA
2-2	110659	SCREW-TAPPING; PH,+,-,NO,2S,M3,L8,ZPC(WHT),	SA
2-3	110661	SCREW-TAPPING; FH,+,-,NO,1,M4,L14,ZPC(WHT),	SC
2-4	114434	SENSOR TEMP; DKST1329GW,QUEEN,-50 ~ 80	SA
2-5	114435	INSULATION PARTITION; BRW9000N,PS FOAM,WH	SNA
2-6	114436	COVER LED-FRONT; BRW9000,HIPS,COOL WHITE	SA

Ref#	Dacor Part#	Description	SNA
2-7	114437	PARTITION-UP; BRW9000N,ABS,INOX GRAY	SNA
2-8	114438	PARTITION-LOW; BRW9000N,ABS,INOX GRAY	SNA
2-9	114439	ASSY WIRE HARNESS-DISPLAY; BI WINE,12VDC,	SNA
2-10	114440	ASSY LAMP LED; 15,FR-4,461.2*16,SMAW205-H	SA
2-11	114441	ASSY COVER CONTROL; BRW9000R,PARTITOIN DI	SA
2-12		GROMMET-B; BRW9000R,EPDM,BLACK	SNA
2-13		TRIM COVER; BRW9000R,ABS,HG-0760GP,INOX G	SNA
3	114442	ASSY PARTITION-RIGHT; BRW9000N	SA
3-1	110649	SCREW-TAPPING; TH,+,NO,1,M4,L8,ZPC(WHT),S	SA
3-2	110661	SCREW-TAPPING; FH,+,NO,1,M4,L14,ZPC(WHT),	SC
3-3	114434	SENSOR TEMP; DKST1329GW,QUEEN,-50 ~ 80	SA
3-4	114435	INSULATION PARTITION; BRW9000N,PS FOAM,WH	SNA
3-5	114443	COVER LED-FRONT; BRW9000,HIPS,INOX GRAY	SA
3-6	114437	PARTITION-UP; BRW9000N,ABS,INOX GRAY	SNA
3-7	114438	PARTITION-LOW; BRW9000N,ABS,INOX GRAY	SNA
3-8	114444	ASSY COVER CONTROL-SUB; BRW9000R,METAL GR	SA
3-9		GROMMET-B; BRW9000R,EPDM,BLACK	SNA
4		ASSY CABI FRAME-REAR; BRR9000M,24inch,Col	SNA
5		ASSY GUIDE HOSE-BOTTOM; BRR9000M,T1.5,L80	SNA
6		ASSY LINER; BRW9000N,LEFT	SNA
6-1	110649	SCREW-TAPPING; TH,+,NO,1,M4,L8,ZPC(WHT),S	SA
6-2		ASSY LINER; WINE	SNA
6-2-1	110659	SCREW-TAPPING; PH,+,NO,2S,M3,L8,ZPC(WHT),	SA
6-2-2	111061	COVER LAMP-SIDE; BRR9000M,HIPS,T2,WHITE,C	SA
6-2-3	111069	COVER LAMP-SIDE; BRR9000M,HIPS,T2,INNER W	SA
6-2-4	114445	COVER LAMP-UP; BRW9000N,HIPS,T2,INNER WHI	SA
6-2-5	114446	ASSY LAMP LED; 30,FR-4,520*16,DEM1-B0031,	SA
6-2-6	114447	ASSY LAMP LED; 18,FR-4,553.6*16,SMAW205-H	SA

Ref#	Dacor Part#	Description	SNA
6-2-7	114448	ASSY LAMP LED; 18,FR-4,553.6*16,LEK-01PS-	SA
6-2-8	114449	ASSY LAMP LED; 18,FR-4,553.6*16,SMAW205-H	SA
6-3		ASSY LINER-REF; BRW9000N	SNA
6-3-1	110647	SCREW-TAPPING; TH,+,1,M4,L12,ZPC(WHT),SWR	SA
6-3-2	114450	DRAIN HOSE; 2DOOR,PE,NATURAL	SA
6-3-3		CASE LINER; BRW9000N,ABS,T2.5,INOX GRAY,H	SNA
6-4		ASSY PIPE SUCTION; BRW9000R,PARALLEL,OD7.	SNA
6-4-1	110923	SEAL CUTT-RUBBER; RR2500K,RUBBER,BLACK,T5	SA
6-5		ASSY PLATE GRILLE; BRW9000N	SNA
6-5-1	110837	FIXER; AW2-14,POM,WHITE,HB,K-300	SA
6-5-2	114451	ASSY RAIL-LEFT; BRW9000R,400mm	SA
6-6		ASSY PLATE GRILLE; BRW9000N	SNA
6-6-1	110837	FIXER; AW2-14,POM,WHITE,HB,K-300	SA
6-6-2	114452	ASSY RAIL-RIGHT; BRW9000R,400mm	SA
7	114453	COVER SENSOR; BRW9000N,ABS,T1.5,INOX GRAY	SA
8	114454	SENSOR TEMP;PX-41C,QUEEN PJT,-10°C ~ 35°C	SC

3. Cycle DRW24980LAP

Exploded View



Parts List

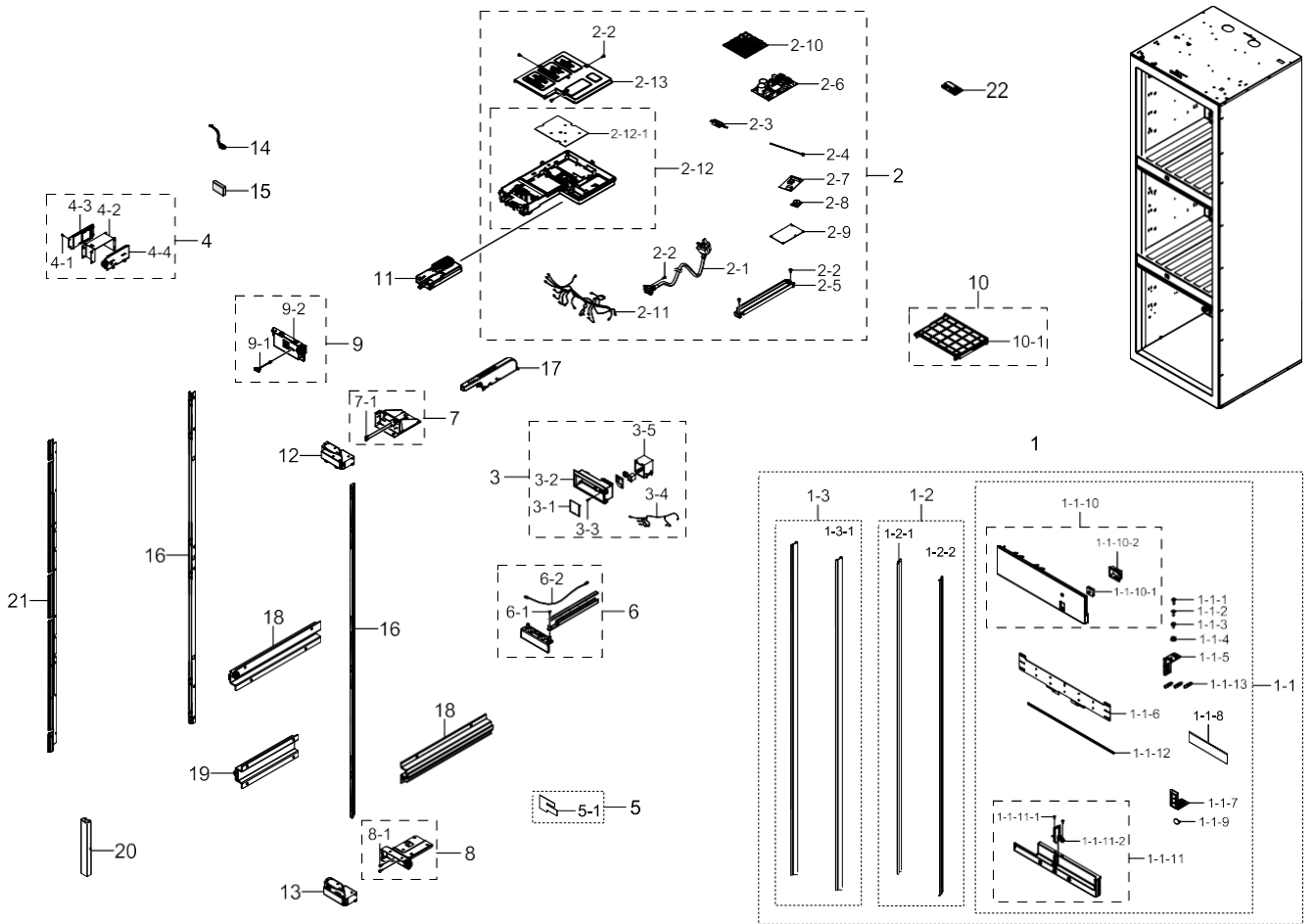
Ref#	Dacor Part#	Description	SNA
1	TBD	ASSY CHASSIS AIR GRILLE; BRR9000M,24", L-	SA
1-1	110649	SCREW-TAPPING; TH,+,NO,1,M4,L8,ZPC(WHT),S	SA
1-2	111121	LATCH; LATOUR,POM,NATURAL,DC LATCH	SA
2	114456	ASSY CHASSIS COMP; BRW9000R(24inch),No Ho	SA
2-1	110647	SCREW-TAPPING; TH,+,1,M4,L12,ZPC(WHT),SWR	SA
2-2	110910	CASTER; BRR9000M,MSWR,OD40, BLACK	SA
2-3	111390	ASSY LEG-FRONT; BRR9000M	SA
2-4	111391	ASSY LEG-FRONT; BRR9000M,RIGHT	SA
2-5	111392	ASSY LEG-REAR; BRR9000M	SA
2-6	111393	ASSY LEG-REAR; BRR9000M,RIGHT	SA
2-7	111525	ASSY TRAY DRAIN WATER; BRR9000M(24inch)	SA

Ref#	Dacor Part#	Description	SNA
2-7-1	110648	SCREW-TAPPING; TH,+,1,M4,L16,ZPC(WHT),SWR	SA
2-7-2	111006	GROMMET-IMMERSION PIPE B; ROMANEE CONTI,N	SA
2-7-3	111074	GROMMET-SUCT PIPE A; NBR,-,ID4,OD20	SC
2-7-4	111408	ASSY SUPPORT-CIRCUIT MOTOR; BRR9000M(18")	SA
2-7-4-1	110695	MOTOR BLDC FAN; ARCS2088RB,1230,12V,1.15W	SA
2-7-4-2	110913	SPRING ETC-FAN; STS304,PI8.8,ID7.8,OD9.8,	SA
2-7-5	TBD	GROMMET-COND SUB; AW,NBR,Black	SA
2-8	111533	ASSY CASTER; BRR9000M,GI-SGCC,T3.0,LEFT	SA
2-8-1	110757	PIN-CASTER; SR-289-429,MSWR10,L38,ZPC2	SA
2-8-2	110821	CASTER-REAR; GRAND-CRU,PP,NATURAL	SA
2-9	111534	ASSY CASTER-FRONT; BRR9000M,GI-SGCC,T3.0,	SA
2-9-1	110757	PIN-CASTER; SR-289-429,MSWR10,L38,ZPC2	SA
2-9-2	110821	CASTER-REAR; GRAND-CRU,PP,NATURAL	SA
2-10		CHASSIS COMP; BRM9000M,GI-SGCC,T1.6,-,AUT	SNA
3	111654	ASSY COVER COMP-LOW; BRR9000M,24"	SA
4	111680	ASSY PARTITION; BRR9000M,24" Column	SA
5	114457	ASSY STEP VALVE; BRW9000R,DC12V,MODULE,3,	SA
5-1	114458	VALVE STEP; DC12V,MODULE,3,BI WINE	SA
6	TBD	FIXER-STEP MOTOR; RUBY,SWRCH18A	SA
7	TBD	COMPRESSOR,BLDC IPM,5.99CC,115/220V,STAT; COMPRESSOR,BLDC IPM,5.99CC,115/220V,STAT	SA
8	111382	ASSY CABI FRAME-SIDE LEFT; BRR9000M,GI-SG	SA
8-1	110647	SCREW-TAPPING; TH,+,1,M4,L12,ZPC(WHT),SWR	SA
9	111386	ASSY CABI FRAME-SIDE RIGHT; BRR9000M,GI-S	SA
9-1	110647	SCREW-TAPPING; TH,+,1,M4,L12,ZPC(WHT),SWR	SA
10	110746	FITTING-LOKRING 33; SUM23,33, 11SMnPb30K	SA
11	111246	ASSY WIRE HARNESS-COMP; ALL,ALL,FREE VOLT	SA
12		FITTING-LOKRING; SUM23,LOKRING 2 N St 20	SNA
13		ASSY MANUAL; BRW9000R,WINE,DACOR	SNA
13-1	113681	ASSY HINGE-SUB; BUILT-IN,OPENING LIMITER	SA
13-2		ASSY FIXER; BRW9000R,ASSY FIXER	SNA
13-2-1	110649	SCREW-TAPPING; TH,+,NO,1,M4,L8,ZPC(WHT),S	SA
14	110940	DRYER; C1220T-H,L137,SINGLE MOUTH,UL Mark	SA

Ref#	Dacor Part#	Description	SNA
15	110945	PIPE CONNECT-SUCTION; BRR9000M(24inch),Cu	SA
16	114459	PIPE CONNECT-DISC; BRW9000R(24inch),Cu,OD	SA
17	114460	GROMMET COMP; NN34J9902AP,IIR,ALL BLACK,H	SA
18	110990	COVER-URETHANE; AW-PJT,ABS,BLACK,5VA	SA
19	111001	COVER RELAY; MSV,MPPO,T2,BLACK,V-0	SA
20	111338	ASSY CAP-DRAIN; AW3	SA
20-1	110811	FIXER-DRAIN; HAEMIL,PP,T0.6,CARMEN WINE,B	SA
20-2	110928	TUBE PVC; AW3,PVC,OD19.4,L155,BLACK	SA
20-3	110982	GROMMET-DRAIN; RS18RK,NBR,-,-,-,-,BLK,-	SA
20-4	111128	CAP-DRAIN; AW4,HIPS,HB,S834S1,NATURAL	SA
21	111149	PARTITION-UP; BRR9000M,HIPS,T1.2	SA
22	111162	SEAL CUTT-RUBBER; W2-05,RUBBER,BLACK,T8,W	SA
23	110677	BOLT-HEX; M6,L43.6,SWRCH10A	SA
24	110722	ASSY WIRE HARNESS-EARTH; EARTH,ALL,,,,,FR	SA
25	114461	COVER COMP-REAR; BRW9000,GI-SGCC,T0.8,Win	SA

4. Outer DRW24980LAP

Exploded View



Parts List

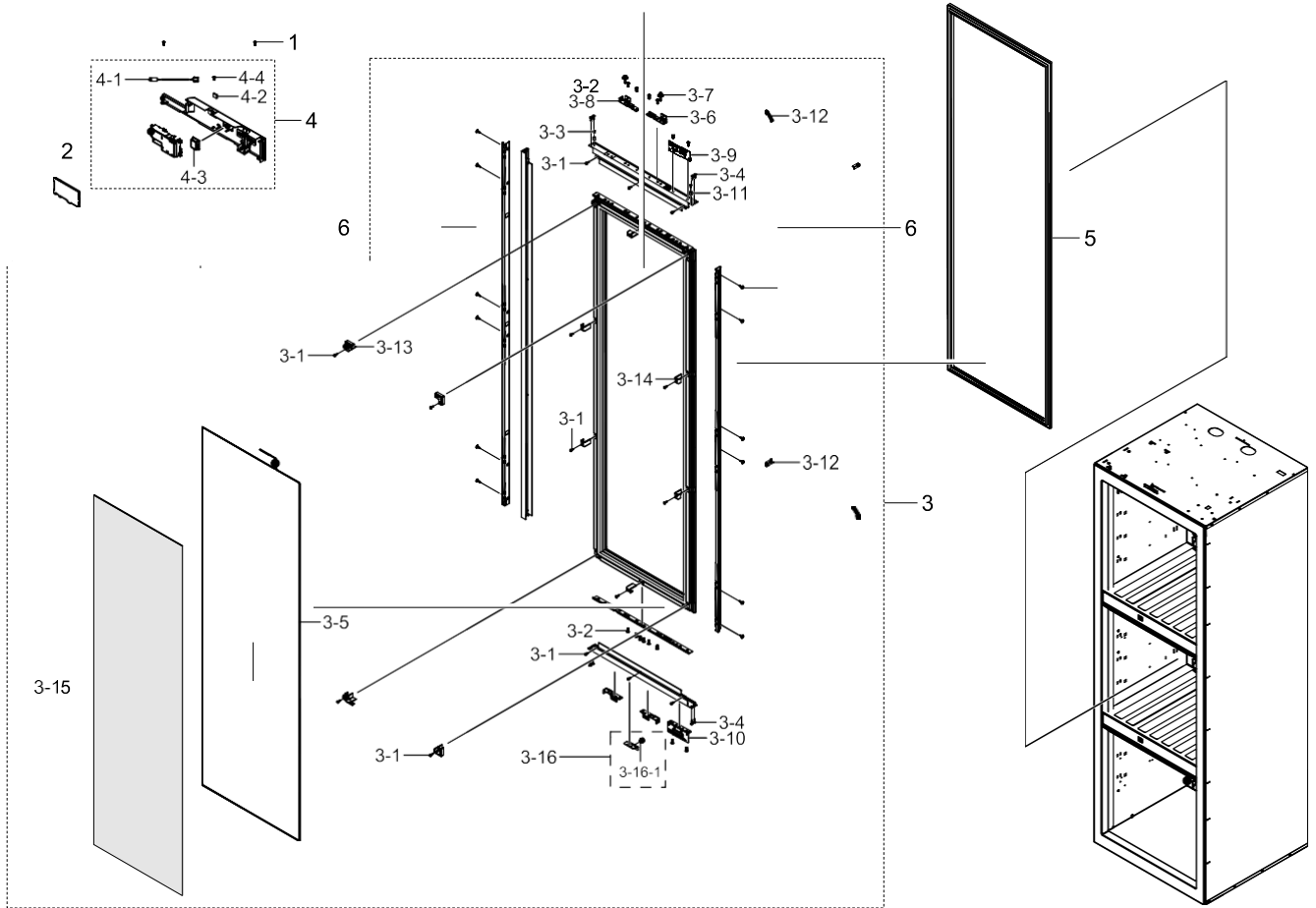
Ref#	Dacor Part#	Description	SNA
1		ASSY INSTALL; BRR9000M,24"-F,LEFT HINGE	SNA
1-1	112205	ASSY INSTALL; 24IN FREEZER(LEFT HINGE)	SNA
1-1-1	110648	SCREW-TAPPING; TH,+,1,M4,L16,ZPC(WHT),SWR	SA
1-1-2	110661	SCREW-TAPPING; FH,+,NO,1,M4,L14,ZPC(WHT),	SC
1-1-3	110679	BOLT-HEX; M6,L12,ZPC(WHT),SWRCH10A	SA
1-1-4	110680	NUT-HEXAGON FLANGE; M8,SWRCH10A,FLANGE, M	SA
1-1-5	110889	GUIDE PANEL; BRR9000M,HIPS,S834S1,COOL WH	SA
1-1-6	110901	BRACKET-WOOD; BRR9000M,PO-SPHC,T2.3,COLUM	SA
1-1-7	110903	SUPPORT-REF; BRR9000M,PO-SPHC,T2.6,Anti T	SA
1-1-8	114462	SEAL CABI; PE FOAM,T3,W150,single-sided a	SA
1-1-9	111129	CAP SCREW; BRR9000M,ABS,HB,HG-0760GP,INOX	SA

Ref#	Dacor Part#	Description	SNA
1-1-10	111507	ASSY TOP TABLE-FRONT; BRR9000M,24-IN,F	SA
1-1-10-	110711	SENSOR PHOTO; 5V	SA
1-1-10-	111033	COVER TOP TABLE; BRR9000M,ABS,HB,INOX GRA	SA
1-1-11	111632	ASSY CAP DOOR-LOW LEFT; BRR9000M,ABS,24"	SA
1-1-11-	110647	SCREW-TAPPING; TH,+,1,M4,L12,ZPC(WHT),SWR	SA
1-1-11-	110862	GUIDE AIR-A; BRR9000M,ABS,HB,HG-0760GP,IN	SA
1-1-12	111666	ASSY TRIM KIT; BRR9000M,24"Column	SA
1-1-13	114463	HOLDER LOCK; PP,Null,6,L30,-,-,BJ750,S-PJ	SA
1-2	112213	ASSY TRIM CASE DOOR; BRR9000M,LUMINOUS,19	SNA
1-2-1	111086	TRIM DOOR-LEFT; BRR9000M,ABS,XM-0900,VF S	SA
1-2-2	111087	TRIM DOOR-RIGHT; BRR9000M,ABS,XM-0900,VF	SA
1-3	111656	ASSY TRIM KIT; BRR9000M	SA
1-3-1	111093	TRIM COVER; BRR9000M,AI,BI-327	SA
2		ASSY CASE PBA; BRW9000R,LEFT	SNA
2-1	110639	POWER CORD-AT; SPT-3 3x18AWG 105C,BLK,US3	SA
2-2	110647	SCREW-TAPPING; TH,+,1,M4,L12,ZPC(WHT),SWR	SA
2-3	114464	COIL FILTER; 22mH,82*60,8A,0.68uF/0.47uF,	SA
2-4	110709	SENSOR HUMIDITY; 5V,0~100%RH,REF	SA
2-5	114465	GUIDE-UP; BRR9000M,ABS+PC,5VB,HN-1074,EBO	SA
2-6	111197	ASSY PCB INVERTER; INVERTER,LC3_3050_V2,1	SA
2-7	111198	ASSY MODULE; STD#9 SMPS,RF9500(Family Hub	SA
2-8	111199	ASSY MODULE; BUZZER PBA,RB6000K	SA
2-9	111204	ASSY MODULE; PBA-FUSE BLOCK,BRZ9000M,30*5	SA
2-10	114466	ASSY PCB EEPROM; 0x83,D602,D608,BRW9000N,	SA
2-11	TBD	ASSY WIRE HARNESS-ETC; BI WINE,FREE VOLT,	SA
2-12	111613	ASSY CASE PBA; BRR9000M,COLUMN30"FRE,SUB	SA
2-12-1	110904	PLATE COVER; AI,T0.15,FDR	SA
2-13	TBD	ASSY COVER PBA; BRR9000M,COLUMN30"FRE,SVC	SA
3	111682	ASSY COVER HINGE-UP LEFT; BRR9000M,Column	SA
3-1	111042	COVER FRONT; BRR9000M,ABS,HB,INOX GRAY,AB	SA
3-2	111046	COVER HINGE-LEFT; BRR9000M,ABS,HB,INOX GR	SA
3-3	110660	SCREW-TAPPING; FH,+,1,M4,L18,ZPC(WHT),SWR	SA

Ref#	Dacor Part#	Description	SNA
3-4	111275	ASSY WIRE HARNESS-ETC; BRR9000M,30~36" RE	SA
3-5	111048	COVER HINGE-UP LEFT; BRR9000M,PC,5VB,EBON	SA
4		ASSY CASE SUB; BRF9000M,1.5,82,200,BLACK,	SNA
4-1	110649	SCREW-TAPPING; TH,+,NO,1,M4,L8,ZPC(WHT),S	SA
4-2	114012	CASE PCB; BUILT IN,PC,EBONY BLACK,5V-B,HN	SA
4-3	114029	COVER PCB-LEFT; BUILT IN,PC,5VB,EBONY BLA	SA
4-4	114030	COVER PCB-RIGHT; BUILT IN,PC,5VB,EBONY BL	SA
5	114116	ASSY COVER CASE; BRF9000M,ABS,T1.2,INOX G	SA
5-1	111151	CAP HINGE-UP LEFT; BRR9000M,ABS,T1.2,HG-0	SA
6	TBD	ASSY COVER HINGE-UP LEFT; BRW9000,WINE	SA
6-1	110671	SCREW-TAPPING; PWH,+,PW,1,M4,L16,ZPC(WHT)	SA
6-2	114470	ASSY WIRE HARNESS-ETC; BI WINE,FREE VOLT,	SA
7	111458	ASSY REINF-UP LEFT; BRR9000M,ZPC3	SA
7-1	110678	BOLT-ETC; M6,L20,ZPC(WHT),SWRCH18A,FH	SA
8	111460	ASSY REINF-LOW LEFT; BRR9000M,ZPC3	SA
8-1	110678	BOLT-ETC; M6,L20,ZPC(WHT),SWRCH18A,FH	SA
9	111621	ASSY COVER-FRONT; BRR9000M,COLUMN30"FRE	SA
9-1	110716	SWITCH REED; UL1007 AWG 22,100mm,DEM1-B50	SA
9-2	111044	COVER FRONT; BRR9000M,PC,5VB,EBONY BLACK,	SA
10	111624	ASSY COVER-FRONT UP; BRR9000M,COLUMN30"FR	SA
10-1	111045	COVER FRONT-UP; BRR9000M,PC,5VB,EBONY BLA	SA
11	113721	ASSY EASY OPEN; 12V (65mm())	SA
12	111379	ASSY HINGE-UP; BUILT-IN,K05-X	SA
13	111380	ASSY HINGE-LOW; BUILT-IN,K05-X	SA
14	114471	ASSY WIRE HARNESS-TOP; ALL,WIFI, 100mm,AL	SA
15	111162	SEAL CUTT-RUBBER; W2-05,RUBBER,BLACK,T8,W	SA
16	110846	BRACKET-MIDDLE; BRR9000M,CR-SPCC,T1.2,COL	SA
17	110866	GUIDE-UP; BRZ30980LPR,ABS,T2.5,HB,INOX GR	SA
18	110892	RAIL; BRR9000M,ABS,EBONY BLACK	SA
19	110895	RAIL-LEFT; BRR9000M,ABS,EBONY BLACK,HG-07	SA
20	111058	COVER WIRE; BRR9000,ABS,HB,COOL WHITE,HG-	SA
21	113842	CHASSIS CABI; BRR9000M,GI-SGCC,T0.8,-	SA
22	114472	W-LAN MODULE; CWAM210S,REF2,PF#3,19K,IEEE	SA

5. Assy Door Ref DRW24980LAP

Exploded View



Parts List

Ref#	Dacor Part#	Description	SNA
1	110658	SCREW-TAPPING; TH,+,-,2,M5,L16,ZPC(WHT),S	SA
2	111072	COVER PBA; BRR9000M,ABS,INOX GRAY,WIFI MO	SA
3	TBD	ASSY DOOR FRAME; BRW9000,B LUX DARK SILVE	SA
3-1	110655	SCREW-TAPPING; TH,+,-,NO,1,M4,L14,PASS,STS3	SA
3-2	110658	SCREW-TAPPING; TH,+,-,2,M5,L16,ZPC(WHT),S	SA
3-3	110659	SCREW-TAPPING; PH,+,-,NO,2S,M3,L8,ZPC(WHT),	SA
3-4	110660	SCREW-TAPPING; FH,+,-,1,M4,L18,ZPC(WHT),SWR	SA
3-5		HEATER CORD-DOOR; DC12V,BI WINE, Left Hin	SNA
3-6	110845	BRACKET-UP; BRR9000M,PO-SPHC,T2.3,RIGHT	SA

Ref#	Dacor Part#	Description	SNA
3-7	110847	FIXER-UP FRONT; BRR9000M,SWRCH10A,M6, ZIN	SA
3-8	110848	BRACKET-UP; BRR9000M,PO-SPHC,T2.3,LEFT	SA
3-9	110856	BRACKET HINGE-FRE UP; BRR9000M,PO-SPHC,T2	SA
3-10	110860	BRACKET HINGE-FRE LOW; BRR9000M,PO-SPHC,T	SA
3-11	110906	FIXER; BRR9000M,ABS,NATURAL,HG-0760GP	SA
3-12		SUPPORT CAP DOOR; BRW9000,ABS,T1.2,FM6341	SNA
3-13		SUPPORT DOOR-IN; BRW9000,Si,ALL BLACK,HAR	SNA
3-14		SUPPORT DOOR-MIDDLE; BRW9000,Si,ALL BLACK	SNA
3-15		GLASS-DOOR; BRW9000R,GLASS,T36,W478,L1636	SNA
3-16	111685	ASSY DOOR; BRR9000M	SA
3-16-1	111353	ASSY FIXER-MOVABLE; HAEMIL,CREAMY STS,MAT	SA
4	111450	ASSY CAP DOOR-UP LEFT; BRR9000M,ABS,24"	SA
4-1	110710	SENSOR HUMIDITY; 5V,0~100%RH,REF,250mm	SA
4-2	110798	MAGNET; SVETA,FERRITE,1600Gauss	SA
4-3	111033	COVER TOP TABLE; BRR9000M,ABS,HB,INOX GRA	SA
4-4	111133	CAP-SHAFT HOLE; AW3,ABS,HG-0760GP,SNOW WH	SA
5	114474	ASSY GASKET; BRW9000R,DARK GRAY,H1679,W52	SA
6	110671	SCREW-TAPPING; PWH,+,PW,1,M4,L16,ZPC(WHT)	SA