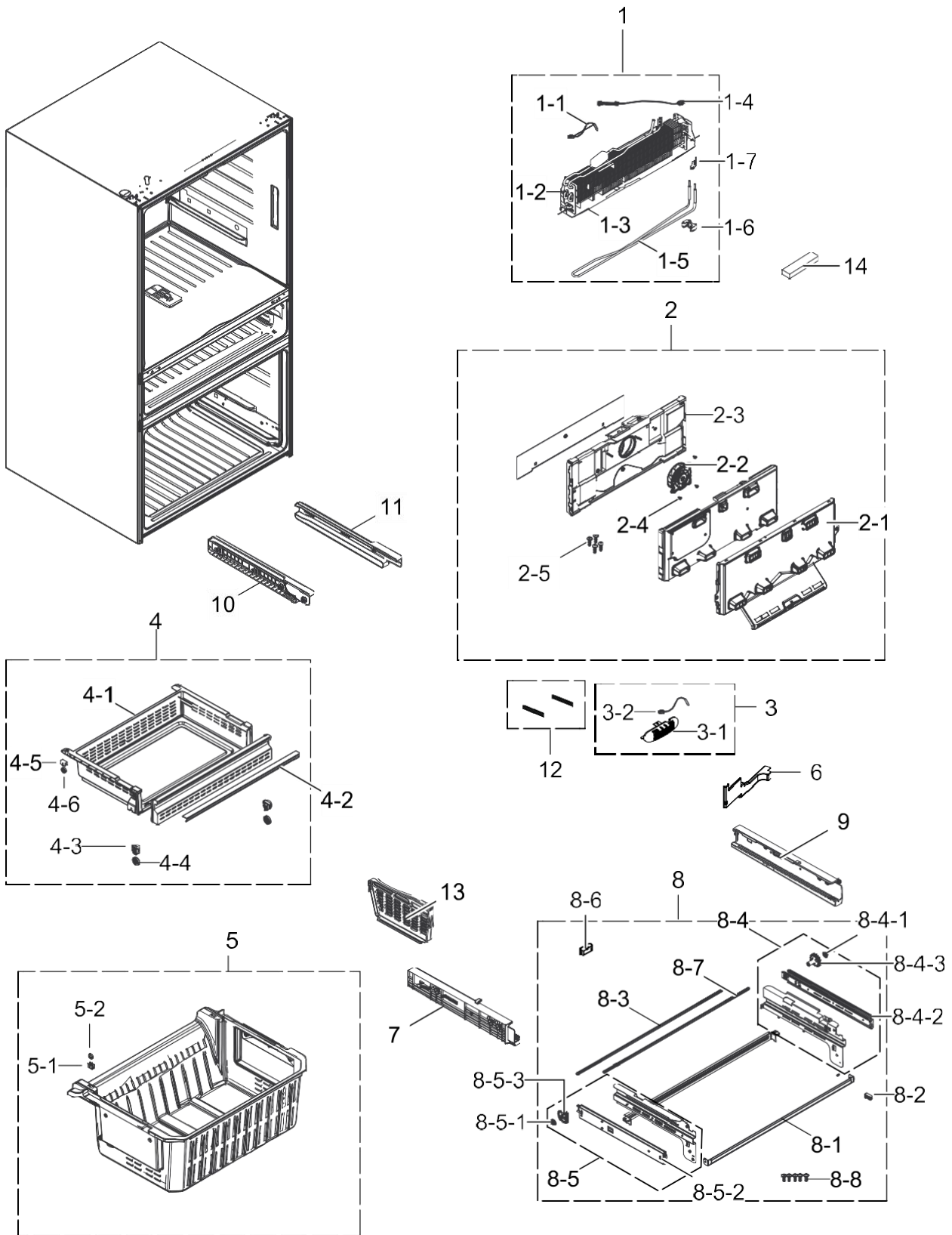


1. Freezer

Exploded View



Freezer Parts List

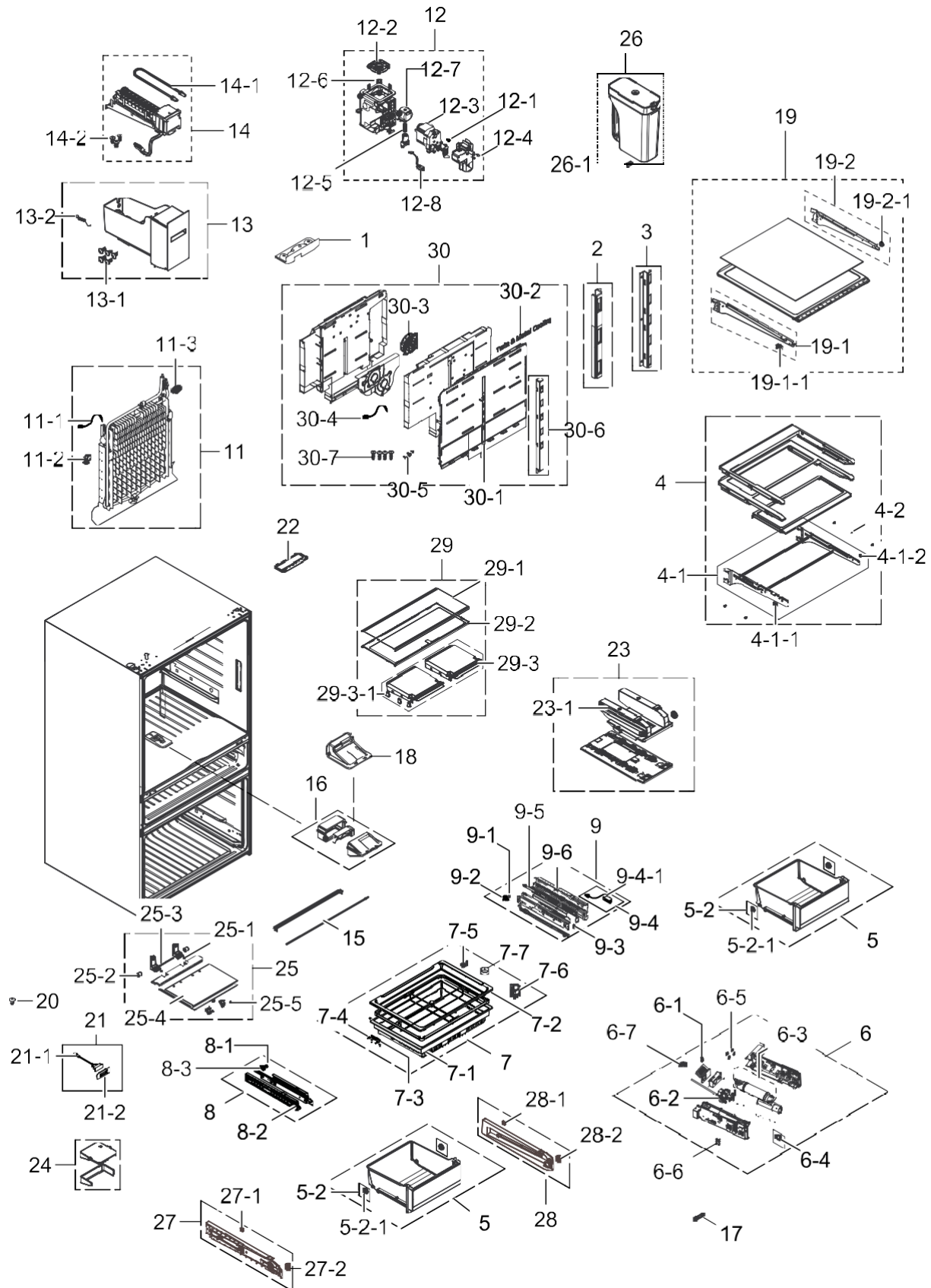
No.	Dacor Part #	Description	SNA
1	111228	ASSY EVAP-FRE; RF8000MC,Fin Tube,120V, 23	SA
1-1	110708	SENSOR TEMP; SC41199-021A, TUBE,200mm,13.	SA
1-2		EVAPORATOR-FRE; Fin Tube,RF8000MC, Accum	SNA
1-3		PLATE-DRAIN FRE; AW3-PJT,GL-SAZCC,T0.3	SNA
1-4	110734	THERMO FUSE-ASSY; AC250V,10A,109~110S	SA
1-5	110737	HEATER METAL SHEATH; AC120V,AW4-4D FRE, 6	SA
1-6	110817	FIXER-HEATER FRE; AW3-PJT,PBT,NATURAL,V-0	SA
1-7	110820	FIXER-SENSOR FRE; AW3-PJT,PP,NATURAL,BJ75	SA
2	111418	ASSY COVER EVAP-FRE; RF8000MC,PLATE COOLI	SA
2-1		COVER EVAP-FRE; RF8000MC,PP,NATURAL	SNA
2-2	110693	MOTOR BLDC FAN; 12035GE-12M-YT,1775 7%,1	SA
2-3		COVER EVAP-FRE REAR; RF8000MC,PP,GRAY	SNA
2-4	110654	SCREW-TAPPING; TH,+,-,1,M4,L12,PASS,STS30	SA
2-5	110662	SCREW-TAPPING; TH,+,-,1,M4,L16,PASS,STS43	SA
3		ASSY COVER SENSOR-FRE; RF8000MC	SNA
3-1	110998	COVER SENSOR-FRE; AW3,HIPS,NTR	SA
3-2	110707	SENSOR TEMP; SC41200-021A,1000mm,13.2kohm	SA
4	111360	ASSY TRAY-FRE UP; RF8000MC,ASSY	SA
4-1		TRAY-FRE UP; RF8000MC,HIPS,COOL WHITE	SNA
4-2	111084	TRIM-TRAY FRE; AW4,HIPS,S834S1,COOL WHITE	SA
4-3	110801	FIXER-ROLLER TRAY FRE UPP; AW-PJT,PA,1.8,	SA
4-4	111111	ROLLER-TRAY FRE UPP; AW-PJT,POM,NATURAL,P	SA
4-5	111159	FIXER-ROLLER; SR-62,PA66,T2.0	SA
4-6	111123	ROLLER-FRE; POM,D22,NATURAL	SC
5	111361	ASSY TRAY-FRE LOW; RF8000MC,ASSY	SA
5-1	111159	FIXER-ROLLER; SR-62,PA66,T2.0	SA
5-2	111123	ROLLER-FRE; POM,D22,NATURAL	SC
6	111010	COVER AIR-WIRE HARNESS ICE; AW4 CD,HIPS,C	SA
7		COVER-RAIL LOW L; AW2 CD,ABS,-,-,-,-,-,CO	SA

Freezer Parts

No.	Dacor Part #	Description	SNA
8	111495	ASSY HANGER-LOW; RF8000MC	SA
8-1	110828	REINF-HANGER FRONT; AW4,EGI-SECC,T1.6,COO	SA
8-2	111004	COVER-FIXER MAGNET; MOUTON,HIPS,COOL WHIT	SA
8-3	111107	SHAFT-GEAR; AW4,SM25C,715.1,BLACK Electro	SA
8-4	111497	ASSY RAIL-LOW RIGHT; RF8000MC	SA
8-4-1	110790	FIXER-GEAR; AW-PJT,POM,NATURAL,F20-03	SA
8-4-2		ASSY RAIL-RIGHT; RF8000MC	SNA
8-4-3	111115	GEAR-RAIL R; AW-PJT,POM,NTR,F20-03	SA
8-5	111496	ASSY RAIL-LOW LEFT; RF8000MC	SA
8-5-1	110790	FIXER-GEAR; AW-PJT,POM,NATURAL,F20-03	SA
8-5-2		ASSY RAIL-LEFT; RF8000MC	SNA
8-5-3	111116	GEAR-RAIL L; AW-PJT,POM,NTR	SA
8-6	110786	MAGNET-ASS'Y; CORE-PJT,FERRITE	SA
8-7	111106	SHAFT-GEAR; AW2,SM25C,715.1,-,-,-,BLACK E	SA
8-8	110666	SCREW-TAPPING; TH,+,-,2S,M4,L12,ZPC(WHT),	SA
9		COVER-RAIL LOW R; AW2 CD,ABS,-,-,-,-,CO	SA
10	110830	RAIL-FRE UP LEFT; AW4-4D,HIPS,NATURAL,S83	SA
11	110829	RAIL-FRE UP RIGHT; AW4- 4D,HIPS,NATURAL,S8	SA
12	111243	ASSY LAMP LED; 3EA,FR-4,150*12,WHITE,SMAW	SA
13	110831	GUIDE-FRE; AW4-4D (C/D),PP,HB,BJ750,COOL	SA
14		SEAL-CUTT RUBBER; TD-PJT,BUTYL RUBBER,BLA	SA

2. Refrigerator

Exploded View



Refrigerator Parts List

No.	Dacor Part #	Description	SNA
1	110802	GUIDE-FRENCH; OPUS1-14,ABS+PC,HB,HR-1008B	SA
2	111600	ASSY ANGLE SHELF; RF8000MC,SV9005, STS#4,	SA
3		ASSY ANGLE SHELF; RF-H920G,ASSY ANGLE SHE	SNA
4	111603	ASSY SHELF FOLDER; RF8000MC,Premium	SA
4-1		ASSY HANGER-RIGHT; RF8000MC,INOX GRAY,PRE	SNA
4-1-1		FIXER; RF8000MC,POM,CREAMY STAINLESS,K300	SNA
4-1-2		FIXER; RF8000MC,POM,CREAMY STAINLESS,K300	SNA
4-2	110665	SCREW-TAPPING; TH,+,-,B,M4,L8,ZPC(WHT),SW	SA
5	111585	ASSY CASE VEG; RF8000MC,HOT STAMPING	SA
5-2	111369	ASSY ROLLER; AW3-14,ASSY	SA
5-2-1		ROLLER; AW3-14,POM,NATURAL	SNA
6	111432	ASSY CASE FILTER; RF8000MC	SA
6-1	110931	TUBE-FITTING L; POM,DARK HOLDER GRAY,1/4i	SA
6-2	110937	VALVE WATER; AC110~127V,230,2WAY,L-Wire,1	SA
6-3		ASSY TANK WATER-REF; H920G,PP	SNA
6-4		ASSY CASE FILTER; H920G	SNA
6-5	110806	CLIP-FITTING LOCK; AW,POM	SA
6-6	110647	SCREW-TAPPING; TH,+,1,M4,L12,ZPC(WHT),SWR	SA
6-7	110932	TUBE-FITTING L; AW33,POM,GRAY	SA
7	111366	ASSY CASE CONVERTIBLE; RF8000MC,SMART DIV	SA
7-1		CASE CONVERTIBLE; AW4-4D-CD,HIPS,INOX GRA	SNA
7-2	111009	COVER CONVERTIBLE; AW4-4D-CD,HIPS,INOX GR	SA
7-3	110836	BRACKET DIVIDER; AW4-4D,ABS,COOL WHITE,VE	SA
7-4	111118	ROLLER-DIVIDER; AW3,POM,NATURAL,13.5	SA
7-5	110841	BRACKET DIVIDER; ABS,INOX GRAY	SA
7-6	110887	FIXER WIRE; RF8000MC,ABS,COOL WHITE,HG-07	SA

Refrigerator Parts List

No.	Dacor Part #	Description	SNA
7-7	111034	GROMMET-HANDLE; RF8000MC,Si,COOL GRAY 7C	SA
8	111363	ASSY RAIL-MIDDLE LEFT; RF8000MC,SOFT DAMP	SA
8-1	110790	FIXER-GEAR; AW-PJT,POM,NATURAL,F20-03	SA
8-2	111013	COVER RAIL-MIDDLE LEFT; AW4-CD,ABS,COOL W	SA
8-3	111116	GEAR-RAIL L; AW-PJT,POM,NTR	SA
9	111362	ASSY RAIL-MIDDLE RIGHT; RF8000MC,SOFT DAM	SA
9-1	110790	FIXER-GEAR; AW-PJT,POM,NATURAL,F20-03	SA
9-2	111115	GEAR-RAIL R; AW-PJT,POM,NTR,F20-03	SA
9-3	110786	MAGNET-ASS'Y; CORE-PJT,FERRITE	SA
9-4	111230	ASSY WIRE HARNESS-RAIL; ALL,12VDC,ALL,UL,	SA
9-4-1	110717	SWITCH REED; 13mm,UL1007 AWG 22,100,HOOK	SA
9-5		RAIL SLIDE-LOW RIGHT; RF8000M,ABS,COOL WH	SNA
9-6	111012	COVER RAIL-MIDDLE RIGHT; AW4-CD,ABS,COOL	SA
11	111239	ASSY EVAP-REF; RF8000MC,Fin Tube,Flat Cab	SA
11-1	110708	SENSOR TEMP; SC41199-021A, TUBE,200mm,13.	SA
11-2	110818	FIXER WIRE; AW3-PJT,PP,T2.0,NATURAL,HB,BJ	SA
11-3	110795	FIXER-SENSER; AW-PJT,PP,NATURAL,V-0	SA
12	111355	ASSY CASE AUGER MOTOR; RF9900JC,115V 60Hz	SA
12-1	110654	SCREW-TAPPING; TH,+,-,1,M4,L12,PASS,STS30	SA
12-2	110686	MOTOR BLDC FAN; 66mm boxfan motor,3600rpm	SA
12-3	110690	MOTOR GEARED AC AUGER; ISG-3240SSJ,110/12	SA
12-4	110742	SCREW-SPECIAL; HEX,L6.3,PASS,STS304	SA
12-5	110915	SPRING ETC-SOLENOID; SR-S7180,STS304,ID7.	SA
12-6	110978	GROMMET-FAN; USP,NBR	SA
12-7	111171	VALVE COIL SOLENOID; AC110~127V,-,SOLENOI	SA
12-8	111231	ASSY WIRE HARNESS-AUGER; FDR,FREE VOLT,UL	SA
13	111402	ASSY TRAY ICE; RF8000MC,HOT STAMPING	SA

Refrigerator Parts List

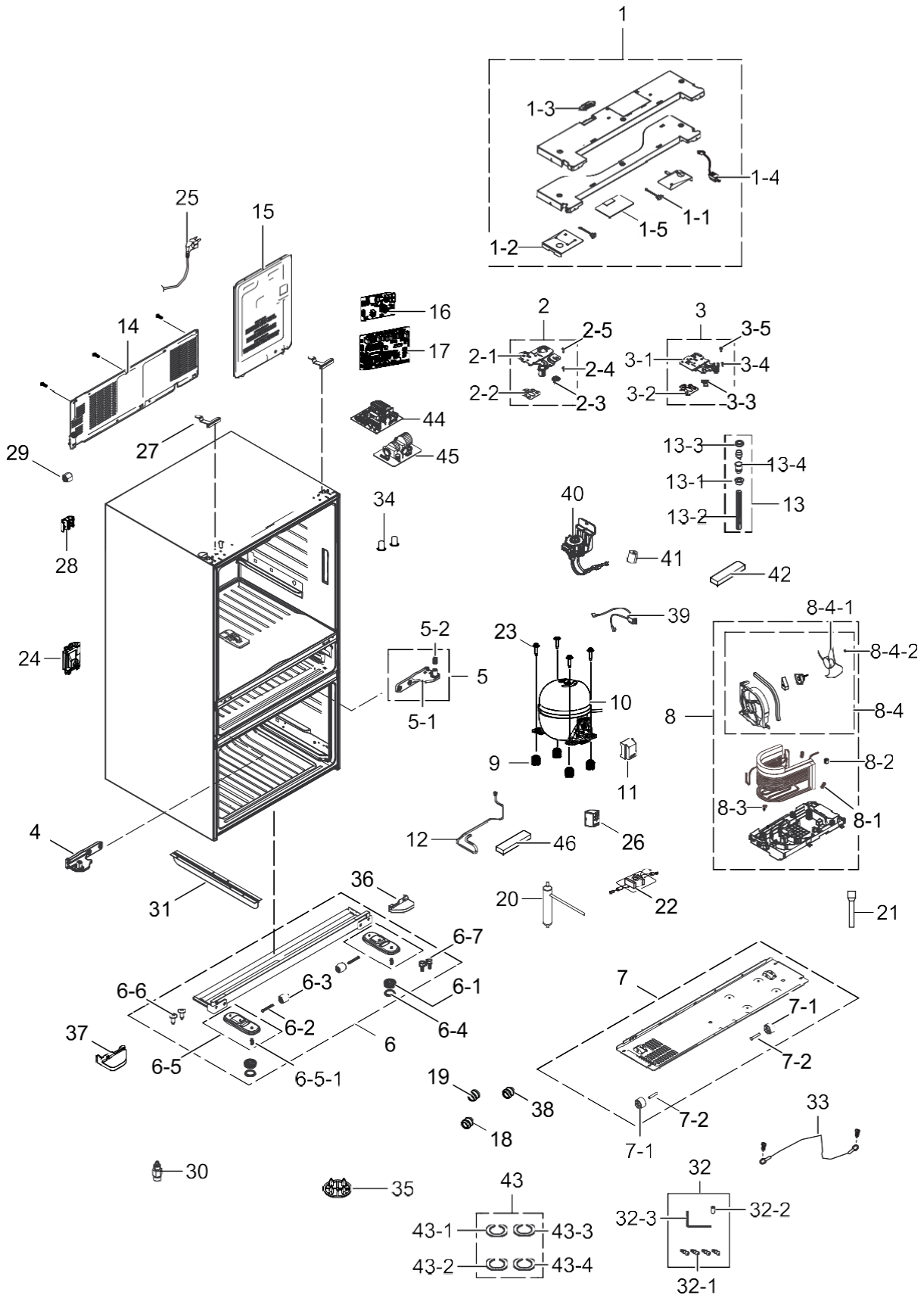
No.	Dacor Part #	Description	SNA
13-1	110654	SCREW-TAPPING; TH,+,-,1,M4,L12,PASS,STS30	SA
13-2	110912	SPRING ETC-DISPENSER; AW-BEST-GE-OEM,STS3	SA
14	111359	ASSY ICE MAKER; AW4-CD,120V-60Hz	SA
14-1		HEATER-ICEMAKER; AC120V,6CUBE, 120ohm,120	SNA
14-2	110654	SCREW-TAPPING; TH,+,-,1,M4,L12,PASS,STS30	SA
15	111114	SHAFT-GEAR CONV; AW3,SM25C,743,BLACK	SA
16	111350	ASSY INS DAMPER-REF; RF8000MC,Flat Cable	SA
17	110936	TUBE-FITTING; PP,1/4"-1/4",TRANSPARENT	SA
18	110999	COVER MOTOR-DAMPER; AW3,HIPS,HB,COOL WHIT	SA
19	111602	ASSY SHELF-REF; RF8000MC,Premium, FIX	SA
19-1		ASSY HANGER-LEFT; RF8000MC,INOX GRAY,Prem	SNA
19-1-1		FIXER; RF8000MC,POM,CREAMY STAINLESS,K300	SNA
19-2		ASSY HANGER-RIGHT; RF8000MC,INOX GRAY,Pre	SNA
19-2-1		FIXER; RF8000MC,POM,CREAMY STAINLESS,K300	SNA
20	111133	CAP-SHAFT HOLE; AW3,ABS,HG-0760GP,COOL WH	SA
21	111364	ASSY COVER SWITCH; AW4-4D (F/S, C/D),FDR	SA
21-1	110718	SWITCH REED; UL1007 AWG 22,50mm,DEM1-B503	SA
21-2	111011	COVER REED SWITCH; OPUS1-14,ABS,HB,COOL W	SA
22	111377	ASSY COVER LAMP; RF8000K	SA
23	111598	ASSY RAIL-MIDDLE; RF8000MC,ASSY	SA
23-1	110792	SUPPORT-ROLLER PANTRY; AW-PJT,PVC,BLK	SA
24	111521	ASSY COVER CASE; RF8000MC	SA
25	111601	ASSY SHELF REF FOLD; RF8000MC,Premium	SA
25-1	110796	SPRING ETC-HINGE SHELF; AW BEST,STS304,	SA
25-2	111109	ROLLER-HINGE-SHELF; AW-PJT,POM,6,WHT	SA
25-3	111110	SHAFT-HINGE-SHELF; AW-PJT,STS304,38,4.0,-	SA
25-4	111650	ASSY SHELF TRIM; RF8000MC,PUR SHELF	SA
25-5	110665	SCREW-TAPPING; TH,+,-,B,M4,L8,ZPC(WHT),SW	SA
26	111433	ASSY TANK WATER-REF; RF8000MC	SA
26-1	110786	MAGNET-ASS'Y; CORE-PJT,FERRITE	SA

Refrigerator Parts List

No.	Dacor Part #	Description	SNA
27		ASSY RAIL-REF LOW LEFT; RF8000MC	SNA
27-1	110792	SUPPORT-ROLLER PANTRY; AW-PJT,PVC,BLK	SA
27-2	111376	ASSY ROLLER; RF9000JC,29	SA
28		ASSY RAIL-REF LOW RIGHT; RA8000MC	SNA
28-1	110792	SUPPORT-ROLLER PANTRY; AW-PJT,PVC,BLK	SA
28-2	111376	ASSY ROLLER; RF9000JC,29	SA
29		ASSY SHELF VEG-LOW; RF8000MC,Premium	SNA
29-1	110865	PLATE COOLING-REF; RF8000MC,STS430J1L,T0.	SA
29-2	111605	ASSY SHELF-REF LOW; RF8000MC,Premium	SA
29-3	111604	ASSY COVER VEG-UP; RF8000MC,Premium	SA
29-3-1	111077	GROMMET-RAIL; CHILLED,PA6	SA
30	111417	ASSY COVER EVAP-REF; RF8000MC,PLATE COOLI	SA
30-1		COVER EVAP-REF; RF8000MC,HIPS,COOL WHITE	SNA
30-2	111085	INLAY; MOUTON13,PET,-,In Evaporation	SA
30-3	110693	MOTOR BLDC FAN; 12035GE-12M-YT,1775 7%,1	SA
30-4	110706	SENSOR TEMP; SC41198-021A,1000mm,13.2kohm	SA
30-5	110654	SCREW-TAPPING; TH,+,-,1,M4,L12,PASS,STS30	SA
30-6	111599	ASSY ANGLE SHELF-REF MIDDLE; RF8000MC,SV9	SA
30-7	110662	SCREW-TAPPING; TH,+,-,1,M4,L16,PASS,STS43	SA

3. Cabinet

Exploded View



Cabinet Parts List

No.	Dacor Part #	Description	SNA
1	111609	ASSY TOP TABLE; RF8000MC,INOX GRAY,W-LAN	SA
1-1	110719	SWITCH REED; UL1007 AWG 22,280(680),25045	SA
1-2	110826	PLATE-COVER HINGE; AW4,GA-SGCC,T0.3	SA
1-3	111016	COVER HINGE-B; RF9000K,ABS,INOX GRAY,HG-0	SA
1-4	111236	ASSY WIRE HARNESS-TOP; ALL,12VDC,UL+IEC,U	SA
1-5	110001	W-LAN MODULE; SWL-CQ52/REF,17K REF,IEEE80	SA
2	111443	ASSY HINGE-UP LEFT; RF8000MC,T3.0,BLACK	SA
2-1		HINGE-UP LEFT; RF8000MC,PO-SPHC,T3.0	SNA
2-2	111078	SHIM-HINGE UPP; PVC,T1.0,T1.0	SA
2-3	111119	CAM-AUTO CLOSE L; AW4,POM,BLACK	SA
2-4	110648	SCREW-TAPPING; TH,+,NO,1,M4,L16,ZPC(WHT),	SA
2-5	110647	SCREW-TAPPING; TH,+,1,M4,L12,ZPC(WHT),SWR	SA
3	111444	ASSY HINGE-UP RIGHT; RF8000MC,T3.0,BLACK	SA
3-1		HINGE-UP RIGHT; RF8000MC,PO-SPHC,T3.0	SNA
3-2	111078	SHIM-HINGE UPP; PVC,T1.0,T1.0	SA
3-3	111120	CAM-AUTO CLOSE R; AW4,POM,BLACK	SA
3-4	110648	SCREW-TAPPING; TH,+,NO,1,M4,L16,ZPC(WHT),	SA
3-5	110647	SCREW-TAPPING; TH,+,1,M4,L12,ZPC(WHT),SWR	SA
4	110863	HINGE-MIDDLE LEFT; RF8000MC,Zn,T4.5,ZNDC2	SA
5	111445	ASSY HINGE-MIDDLE RIGHT; RF8000MC,T4.5,SI	SA
5-1		HINGE-MIDDLE RIGHT; RF8000MC,Zn,T4.5,ZNDC	SNA
5-2	111113	SHAFT HINGE-MIDDLE; AW4-4D,SM20C,M8,L13.4	SA
6		ASSY CABI BOTTOM-FRONT; AW4-4D C/D,NOBLE	SNA
6-1	110824	FOOT-FRONT; POLARIS,PP,BLACK,INSERT NUT,	SA
6-2	110783	FIXER-CASTER; ZPC2,SWRCH10A,OD8.0,L58	SA

Cabinet Parts List

No.	Dacor Part #	Description	SNA
6-3	110807	CASTER-FRONT; AW-PJT,PP,BLACK,PP(M/B 0103	SA
6-4	110825	FOOT; POLARIS,PP,BLACK,PP_S	SA
6-5	111365	ASSY SUPPORT-FRONT; AW4-4D C/D	SA
6-5-1	111117	SHAFT-LEG FRONT; POLARIS,SWRCH10A,BLACK,E	SA
6-6	110647	SCREW-TAPPING; TH,+,1,M4,L12,ZPC(WHT),SWR	SA
6-7	110753	BOLT-HEX; M6,L16,ZPC(WHT),SWRCH18A,HWH He	SC
7	111356	ASSY CHASSIS COMP; AW4-K,HANDLE	SA
7-1	110808	CASTER-REAR; AW-PJT,PP,BLACK,PP M/B(0103-	SA
7-2	111112	SHAFT-CASTER; POLARIS,MSWR10,L44,ID8.0,OD	SA
8	111570	ASSY TRAY DRAIN WATER; RF8000MC,PFC B	SA
8-1	111006	GROMMET-IMMERSION PIPE B; ROMANEE CONTI,N	SA
8-2	111074	GROMMET-SUCT PIPE A; NBR,-,ID4,OD20	SC
8-3	110647	SCREW-TAPPING; TH,+,1,M4,L12,ZPC(WHT),SWR	SA
8-4	111374	ASSY SUPPORT-CIRCUIT MOTOR; RF8000MC,C 16	SA
8-4-1	110692	FAN; HM12,ABS+GLASSFIBER,GR-4010/NTR	SC
8-4-2	110913	SPRING ETC-FAN; STS304,PI8.8,ID7.8,OD9.8,	SA
9	110979	GROMMET COMP; USP05,EPDM,OD27.0,BLACK	SA
10	111693	CMP,COMP,REFRIGERATOR,R-600A; CMP,COMP,REFRIGERATOR,R-600A	SA
11		COVER RELAY; NORYL,T2.0,SSEC,BLACK,HOOK	SA
12	110933	PIPE CONNECT-SUCTION; Cu,6.35,0.6,C1220T-	SA
13	111338	ASSY CAP-DRAIN; AW3	SA
13-1	110811	FIXER-DRAIN; HAEMIL,PP,T0.6,CARMEN WINE,B	SA
13-2	110928	TUBE PVC; AW3,SF-PVC,BLACK	SA
13-3	110982	GROMMET-DRAIN; RS18RK,NBR,-,-,-,-,BLK,-	SA
13-4	111128	CAP-DRAIN; AW4,HIPS,HB,S834S1,NATURAL	SA
14	111358	ASSY COVER COMP; POLARIS,GI-SGCC,T0.25	SA
15	111351	ASSY COVER PCB-PANEL; AW4-4D	SA
16	111197	ASSY PCB INVERTER; INVERTER,LC3_3050_V2,1	SA
17	111210	ASSY PCB EEPROM; 0xA1,D606, D608,RF8000MC	SA
18	110726	FITTING-LOKRING 33; SUM23,33	SA

Cabinet Parts List

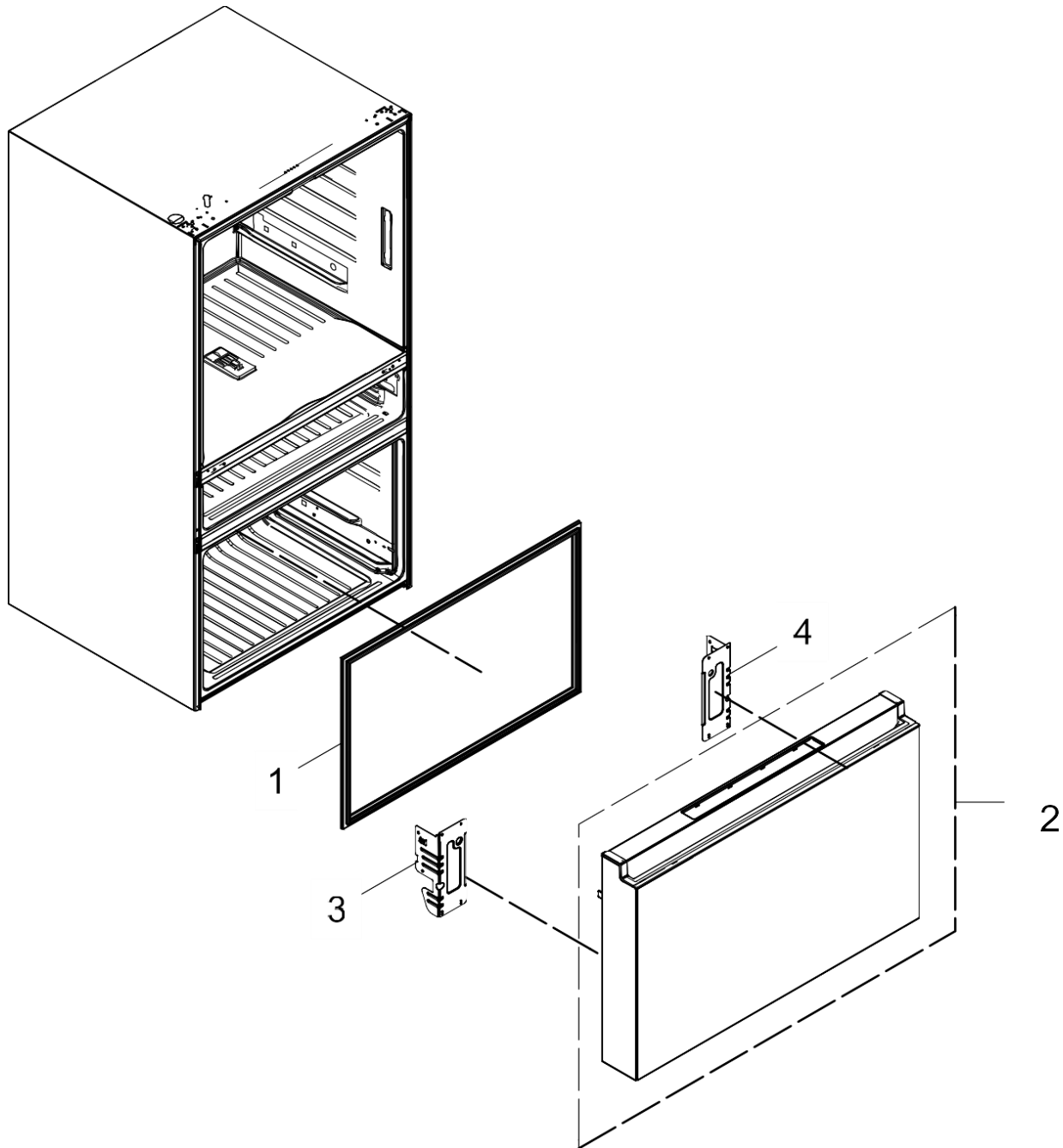
No.	Dacor Part #	Description	SNA
19		FITTING-LOKRING; SUM23,LOKRING 2 N St 20	SNA
20	110940	DRYER; C1220T-H,114,SINGLE MOUTH,R-600a O	SA
21	111169	PIPE CONNECT-DISC; RF8000MC,Cu,OD6.35,T0.	SA
22	110683	COIL FILTER; 22mH,82*60,AC 8A,0.47uF / 0.	SA
23	110677	BOLT-HEX; M6,L43.6,SWRCH10A	SA
24	111349	ASSY COVER-TUBE FILTER; AW4,ASSY	SA
25	110638	CBF-POWER CORD; AT,USA,US3F-1,3C,125V,15A	SA
26	110986	COVER-FIXER HOUSING V; NEXT-PJT,GALVA,T0.	SA
27	110809	FIXER HINGE-UPP; AW1-12,GI-SGCC,T3	SA
28	110793	FIXER-HOSE; AW-PJT,HIPS,NATURAL,S834S1	SA
29	111170	VALVE-FITTING NUT; A-TOP,CU,12,C3604 BD-F	SA
30	110918	VALVE-FITTING PU; BEST-BUY,(C3604BD-F)+BN	SA
31	111095	TRIM BLADE; AW3-14,PVC,GRAY	SA
32		ASSY INSTALL; AW3-14,VALVE	SNA
32-1	110844	FIXER HANDLE; AW3-14,SWRCH10A,M8	SA
32-2	111136	CAP-WRENCH; AW3-PJT,PVC,BLACK	SA
32-3	111172	WRENCH-SPANNER; AW3,SM45C,Zn Plating	SA
33	110725	ASSY WIRE HARNESS-EARTH; ALL,FREE VOLT,UL	SC
34	111002	GROMMET HINGE-MID; AW3,POM,BLACK	SA
35	110990	COVER-URETHANE; AW-PJT,ABS,BLACK,5VA	SA
36	111007	COVER LEG-FRONT RIGHT; AW4-4D (C/D),PP,HB	SA
37	111008	COVER LEG-FRONT LEFT; AW4-4D (C/D),PP,HB,	SA
38	110747	FITTING LOKRING; SUM23,St 56	SA
39	111245	ASSY WIRE HARNESS-COMP; ALL,FREE VOLT,UL+	SA
40	110942	VALVE STEP; DC12V,MODULE,2WAY,LEFT/LEFT b	SA
41	111035	GROMMET; BRR9000M,NBR,CAPI GROMMET	SA
42	111162	SEAL CUTT-RUBBER; W2-05,BUTYL RUBBER,BLAC	SA
43	111686	ASSY ACCESSORY; ROMANEE CONTI,ADJUSTMENT	SA
43-1	110748	FASTENER-HINGE; ROMANEE CONTI,POM,BLACK	SA

Cabinet Parts List

No.	Dacor Part #	Description	SNA
43-2	110749	FASTENER-HINGE; ROMANEE CONTI,POM,T1.5,BL	SA
43-3	110750	FASTENER-HINGE; ROMANEE CONTI,POM,T2.0,BL	SC
43-4	110751	FASTENER-HINGE; ROMANEE CONTI,POM,T2.5,BL	SA
44	111195	ASSY MODULE; STD #8 SMPS,FOOD SHOWCASE,45	SA
45	111203	ASSY MODULE; PBA-FUSE BLOCK,RF8000MC,30*5	SA
46	110923	SEAL CUTT-RUBBER; RR2500K,RUBBER,BLACK,T5	SA

4. Freezer-Door

Exploded View

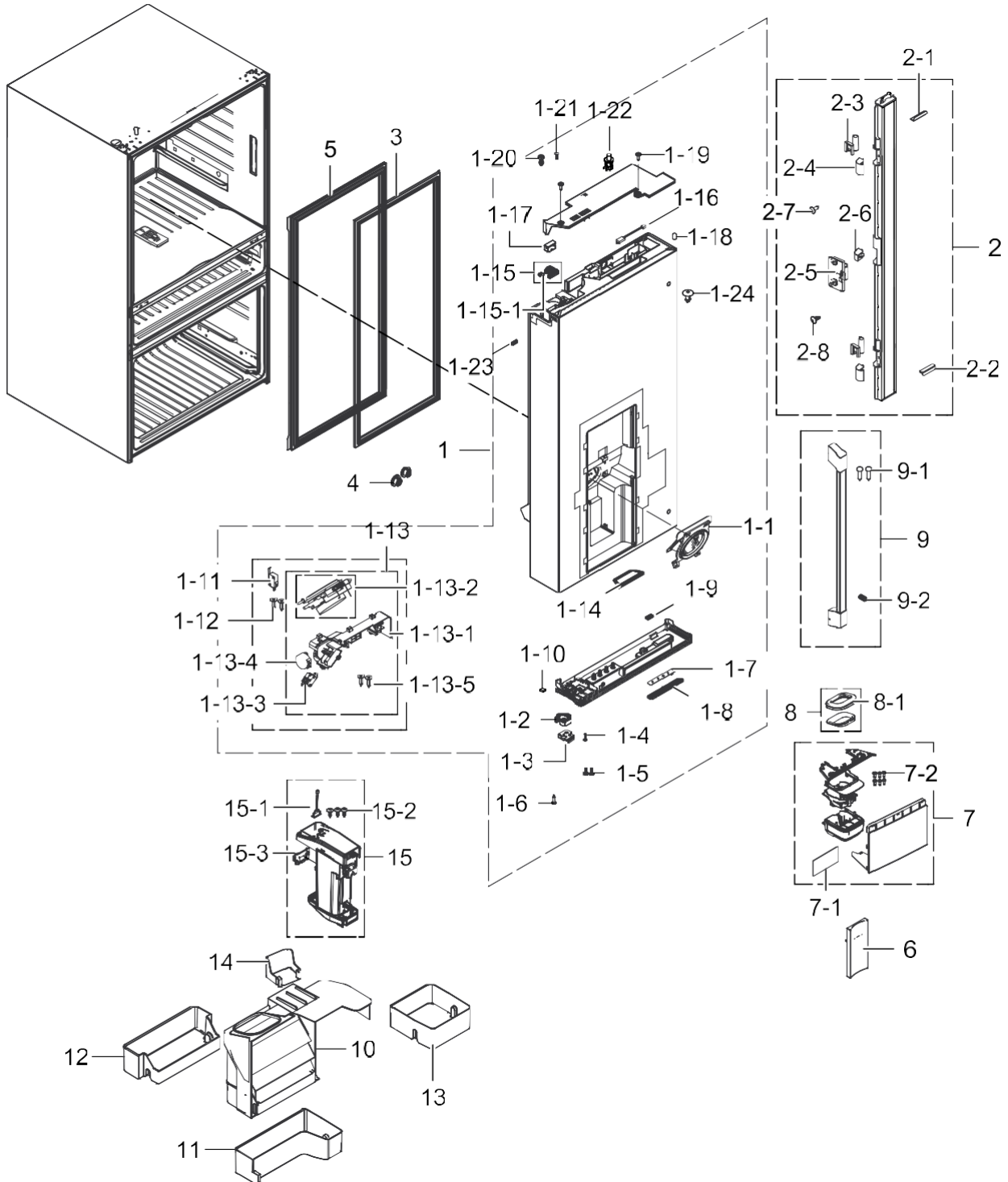


Freezer-Door Parts List

No.	Dacor Part #	Description	SNA
1	111372	ASSY GASKET-FRE; RF8000MC,GRAY	SA
2	111178	ASSY DOOR FOAM-FRE; RF8000MC,STS201,STS20	SA
3	110832	HANGER-FRONT LEFT; AW4-4D,EGI-SECC,COOL W	SA
4	110833	HANGER-FRONT RIGHT; AW4-4D,EGI-SECC,COOL	SA

5. Refrigerator-Door-L

Exploded View



Refrigerator-Door-L Parts List

No.	Dacor Part #	Description	SNA
1	111174	ASSY DOOR FOAM-REF LEFT; RF8000MC,REAL ST	SA
1-1	111405	ASSY GUIDE ICE ROUTE; RF8000MC	SA
1-2	110843	SUPPORT CAP DOOR-LEFT; RF9000K,POM,T3.5,S	SA
1-3	110878	STOPPER DOOR-LEFT; RF8000MC,PO-SPHC,T2.9	SA
1-4	110646	SCREW-MACHINE; TH,+,M5,L25,ZPC(WHT),SWRCH	SA
1-5	110655	SCREW-TAPPING; TH,+,NO,1,M4,L14,PASS,STS3	SA
1-6	110660	SCREW-TAPPING; FH,+,1,M4,L18,ZPC(WHT),SWR	SA
1-7	110729	ASSY LAMP LED; 2,FR-4,20*30,WHITE,SMAW250	SA
1-8	111000	COVER-CAP DOOR LED; AW3,PC,NTR	SA
1-9	110992	GROMMET-CHASSIS UP; SRT749,SI,T5.0,W20.0,	SA
1-10	111076	GROMMET-STOPPER; T3XW8XL8,NR,-,-,-,-,-,-,	SA
1-11	110634	SWITCH-MICRO; 125/250VAC,1A,80gf,SPST-NO	SA
1-12	110669	SCREW-TAPPING; FH,+,1,M4,L16,PASS,STS304	SA
1-13	111403	ASSY CASE ICE ROUTE; RF8000MC,110V	SA
1-13-1		CASE ICE ROUTE; RF8000MC,ABS,I BLACK	SNA
1-13-2		ASSY COVER ICE ROUTE; RF8000MC	SNA
1-13-3	110634	SWITCH-MICRO; 125/250VAC,1A,80gf,SPST-NO	SA
1-13-4	110688	MOTOR GEARED AC DISP; MVCD18AR19/MCCD182A	SA
1-13-5	110661	SCREW-TAPPING; FH,+,NO,1,M4,L14,ZPC(WHT),	SC
1-14	111476	ASSY TRAY DISPENSER; RF8000MC,STS201	SA
1-15	111357	ASSY LEVER-AUTO CLOSE; AW4,POM,BLACK	SA
1-15-1	111108	ROLLER-AUTO CLOSE; AW-PJT,NY-6,BLACK	SA
1-16	110709	SENSOR HUMIDITY; 5V,0~100% RH,REF	SA
1-17	110812	PLATE-DOOR SWITCH; AW2 CD,GI-SGCC,T0.4,NC	SA
1-18	111166	RUBBER-CAP HOSE; i4-PJT,SILICON,GRAY	SA
1-19	110661	SCREW-TAPPING; FH,+,NO,1,M4,L14,ZPC(WHT),	SC
1-20	110658	SCREW-TAPPING; PH,+,2S,M3,L8,ZPC(WHT),MSW	SA

Refrigerator-Door-L Parts List

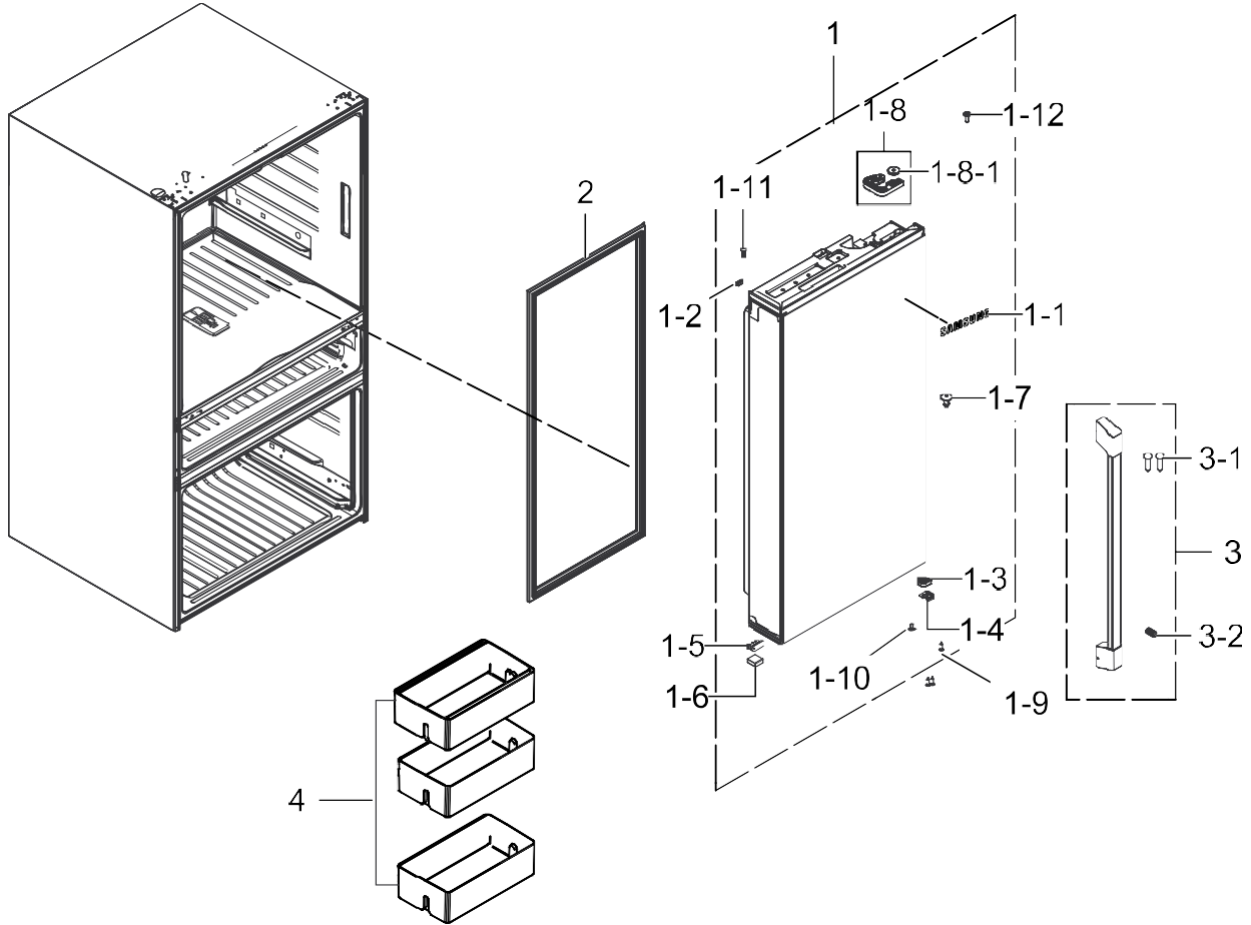
No.	Dacor Part #	Description	SNA
1-21	110658	SCREW-TAPPING; TH,+,-,2,M5,L16,ZPC(WHT),S	SA
1-22	110721	SWITCH DOOR-INTERLOCK; AC125V/250V,5/2.5,	SA
1-23	110797	MAGNET-A; HERMES,FERRITE,1600Gauss	SA
1-24	111133	CAP-SHAFT HOLE; AW3,ABS,HG-0760GP,COOL WH	SA
2	111367	ASSY FRENCH; RF8000MC,URBAN SILVER,120V	SA
2-1	111005	GASKET-FRENCH UPP; AW4,SI,GRAY	SA
2-2	111015	GASKET FRENCH-LOW; RF9000JC,SI,GRAY,0.80	SA
2-3	110827	HINGE-FRENCH; AW4,PC,COOL WHITE	SA
2-4	111130	CAP-CASE FRENCH; AW-PJT,ABS,HG-0760GP,CO	SA
2-5	110988	COVER-HEATER FRENCH; AW-PJT,PC,COOL-WHITE	SA
2-6	111131	CAP-CASE FRENCH MID; AW-PJT,ABS,HG-0760GP	SA
2-7	110647	SCREW-TAPPING; TH,+,1,M4,L12,ZPC(WHT),SWR	SA
2-8	110654	SCREW-TAPPING; TH,+,-,1,M4,L12,PASS,STS30	SA
3	111057	GASKET-IN; RF8000MC,PVC,WHITE	SA
4	111155	CAP SCREW; A-TOP,PP,T1.5,HB,BJ750,COOL WH	SA
5	111370	ASSY GASKET-REF; RF8000MC,GRAY	SA
6	111404	ASSY LEVER DISPENSER; RF8000MC	SA
7	111406	ASSY COVER DISPENSER; RF8000MC,SILVER, Da	SA
7-1		ASSY MODULE; DISPENSER PBA,RF8000MC,DACOR	SNA
7-2	110659	SCREW-TAPPING; PH,+,NO,2S,M3,L8,ZPC(WHT),	SA
8	111448	ASSY CAP CHUTE ICE; RF8000MC	SA
8-1	111050	GASKET-CAP CHUTE ICE; RF8000MC,SI,WHITE	SA
9	111536	ASSY HANDLE; RF8000MC_DACOR,AL,VERTICAL H	SA
9-1	110647	SCREW-TAPPING; TH,+,1,M4,L12,ZPC(WHT),SWR	SA
9-2	110674	SCREW-SET; -,HEX,-,#10-24 UNC 2B,L9,PASS,	SA
10	111520	ASSY GUARD UTILITY; RF8000MC	SA
11	111023	GUARD-REF LOW; RF8000MC,SAN,T3.0,NATURAL	SA

Refrigerator-Door-L Parts List

No.	Dacor Part #	Description	SNA
12	111024	GUARD-REF MIDDLE; RF8000MC,SAN,T3.0,NATUR	SA
13	111025	GUARD-REF UP; RF8000MC,SAN,T3.0,NATURAL	SA
14	111028	GUARD-TOP; RF8000MC,GPPS,T3.0,TP BLUE,Hot	SA
15	111437	ASSY CASE INNER; RF8000MC	SA
15-1	110716	SWITCH REED; UL1007 AWG 22,100mm,DEM1-B50	SA
15-2	110647	SCREW-TAPPING; TH,+,1,M4,L12,ZPC(WHT),SWR	SA
15-3	110907	CASE BASKET-MIDDLE; HIPS,COOL WHITE,RF800	SA

6. Refrigerator-Door-R

Exploded View



Refrigerator-Door-R Parts List

No.	Dacor Part #	Description	SNA
1	111173	ASSY DOOR FOAM-REF RIGHT; RF8000MC,REAL S	SA
1-1	110012	MASCOT; BRS7000M,Ni	SA
1-2	110797	MAGNET-A; HERMES,FERRITE,1600Gauss	SA
1-3	110842	SUPPORT CAP DOOR-RIGHT; RF9000K,POM,T3.5,	SA
1-4	110879	STOPPER DOOR-RIGHT; RF8000MC,PO-SPHC,T2.9	SA
1-5	110992	GROMMET-CHASSIS UP; SRT749,SI,T5.0,W20.0,	SA

DRF36C100SR

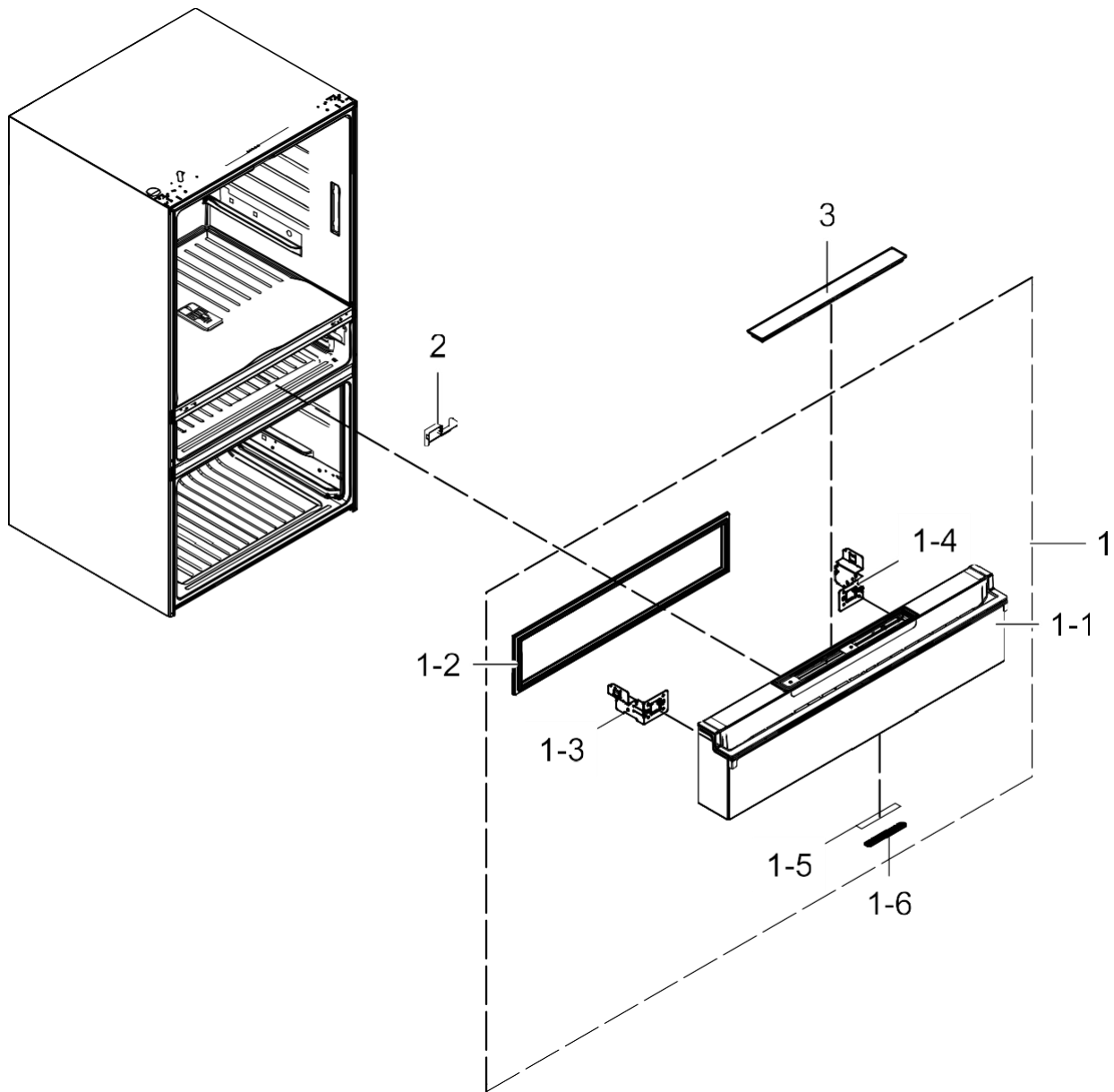
1-6	111076	GROMMET-STOPPER; T3XW8XL8,NR,-,-,-,-,-,-,	SA
1-7	111133	CAP-SHAFT HOLE; AW3,ABS,HG-0760GP,COOL WH	SA
1-8	111357	ASSY LEVER-AUTO CLOSE; AW4,POM,BLACK	SA

Refrigerator-Door-R Parts List

No.	Dacor Part #	Description	SNA
1-8-1	111108	ROLLER-AUTO CLOSE; AW-PJT,NY-6,BLACK	SA
1-9	110660	SCREW-TAPPING; FH,+,1,M4,L18,ZPC(WHT),SWR	SA
1-10	110646	SCREW-MACHINE; TH,+,M5,L25,ZPC(WHT),SWRCH	SA
1-11	110658	SCREW-TAPPING; TH,+,-,2,M5,L16,ZPC(WHT),S	SA
1-12	110661	SCREW-TAPPING; FH,+,NO,1,M4,L14,ZPC(WHT),	SC
2	111370	ASSY GASKET-REF; RF8000MC,GRAY	SA
3	111538	ASSY HANDLE; RF8000MC_DACOR,AL,VERTICAL H	SA
3-1	110648	SCREW-TAPPING; TH,+,NO,1,M4,L16,ZPC(WHT),	SA
3-2	110674	SCREW-SET; -,HEX,-,#10-24 UNC 2B,L9,PASS,	SA
4	111022	GUARD-REF RIGHT; RF8000MC,SAN,T3.0,NATURA	SA

7. Flexzone-Door

Exploded View



Flexzone-Door Parts List

No.	Dacor Part #	Description	SNA	Qty.
1		ASSY DOOR SUB-MIDDLE; RF8000MC,REAL STS(2	SNA	1
1-1	111179	ASSY DOOR FOAM-MIDDLE; RF8000MC,REAL STS(SA	1
1-2	111371	ASSY GASKET-MIDDLE; RF8000MC,GRAY	SA	1
1-3	110834	HANGER-FRONT MIDDLE LEFT; AW4-4D,EGI-SECC	SA	1
1-4	110835	HANGER-FRONT MIDDLE RIGHT; AW4-4D,EGI-SEC	SA	1

Flexzone-Door Parts List

No.	Dacor Part #	Description	SNA	Qty.
1-5	110729	ASSY LAMP LED; 2,FR-4,20*30,WHITE,SMAW250	SA	2
1-6	111000	COVER-CAP DOOR LED; AW3,PC,NTR	SA	2
2	110997	COVER-W/HARNESS CONV DOOR; OPUS1-14,PP,HB	SA	1
3	111407	ASSY COVER CONTROL; RF8000MC,DACOR, SILVE	SA	1