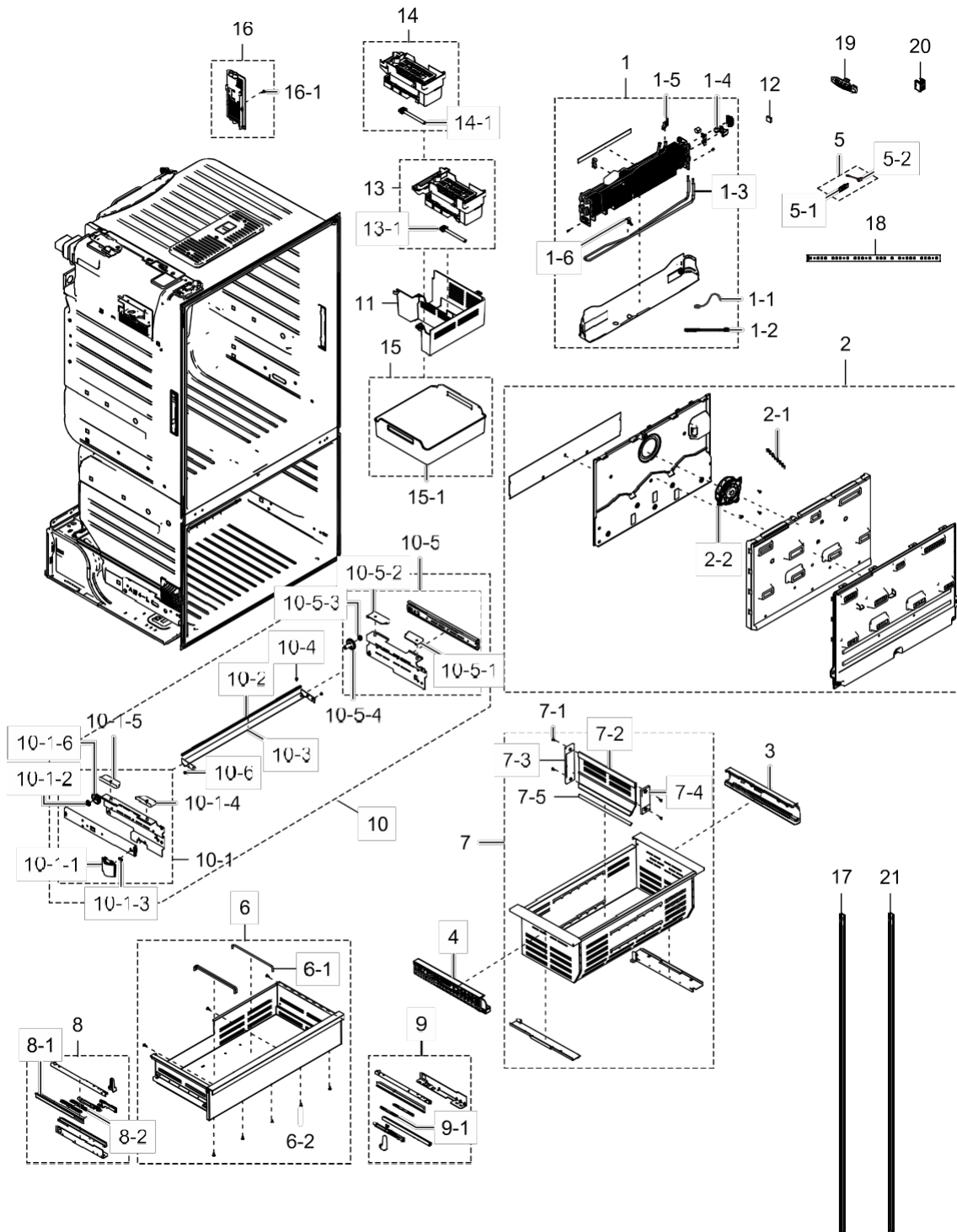


## **1. Freeze**

### **Exploded View**



## Freezer Parts List

No.	Dacor Part #	Description	SNA
1	111229	ASSY EVAP-FRE; RF8000MC,Fin Tube,120V, 23	SA
1-1	110708	SENSOR TEMP; SC41199-021A, TUBE,200mm,13.	SA
1-2	110735	THERMO FUSE-ASSY; AC250V,10A,109~110S	SA
1-3	110741	HEATER METAL SHEATH; AC120V,BRF8000M,230W	SA
1-4	110817	FIXER-HEATER FRE; AW3-PJT,PBT,NATURAL,V-0	SA
1-5	110820	FIXER-SENSOR FRE; AW3-PJT,PP,NATURAL,BJ75	SA
1-6	110794	PLATE-EVAP HEATER; AW-PJT,Al,T0.7	SA
2	111494	ASSY COVER EVAP-FRE; BRF8000M	SA
2-1	110655	SCREW-TAPPING; TH,+,NO,1,M4,L14,PASS,STS3	SA
2-2	110693	MOTOR BLDC FAN; 12035GE-12M-YT,1775 7%,1	SA
3	111037	COVER RAIL-RIGHT; BRF8000M,ABS,HB,INOX GR	SA
4	111038	COVER RAIL-LEFT; BRF8000M,ABS,HB,INOX GRA	SA
5	111364	ASSY COVER SWITCH; AW4-4D (F/S, C/D),FDR	SA
5-1	111011	COVER REED SWITCH; OPUS1-14,ABS,HB,COOL W	SA
5-2	110718	SWITCH REED; UL1007 AWG 22,50mm	SA
6	111578	ASSY TRAY-FRE UP; BRF8000M,GUIDE TRAY3	SA
6-1	110897	GUIDE TRAY; BRF8000M,STS304,Electrolytic	SA
6-2	110661	SCREW-TAPPING; FH,+,NO,1,M4,L14,ZPC(WHT),	SC
7	111579	ASSY TRAY-FRE LOW; BRF8000M	SA
7-1	110661	SCREW-TAPPING; FH,+,NO,1,M4,L14,ZPC(WHT),	SC
7-2	110880	GUIDE TRAY; BRF8000M,Al	SA
7-3	110890	FIXER TRAY; BRF8000M,ABS,INOX GRAY,FRONT	SA
7-4	110891	FIXER TRAY; BRF8000M,ABS,INOX GRAY,REAR	SA
7-5	111053	GROMMET-GUIDE; BRF8000M,Si	SA
8	111580	ASSY RAIL-FRE UP LEFT; BRF8000M	SA
8-1		RAIL; BRR9000M_30R,CR-SPCC,OUT MEMBER RIG	SNA
8-2		RAIL; BRR9000M,PA66,NATURAL,KN332G30V0,TO	SNA

## Freezer Parts List

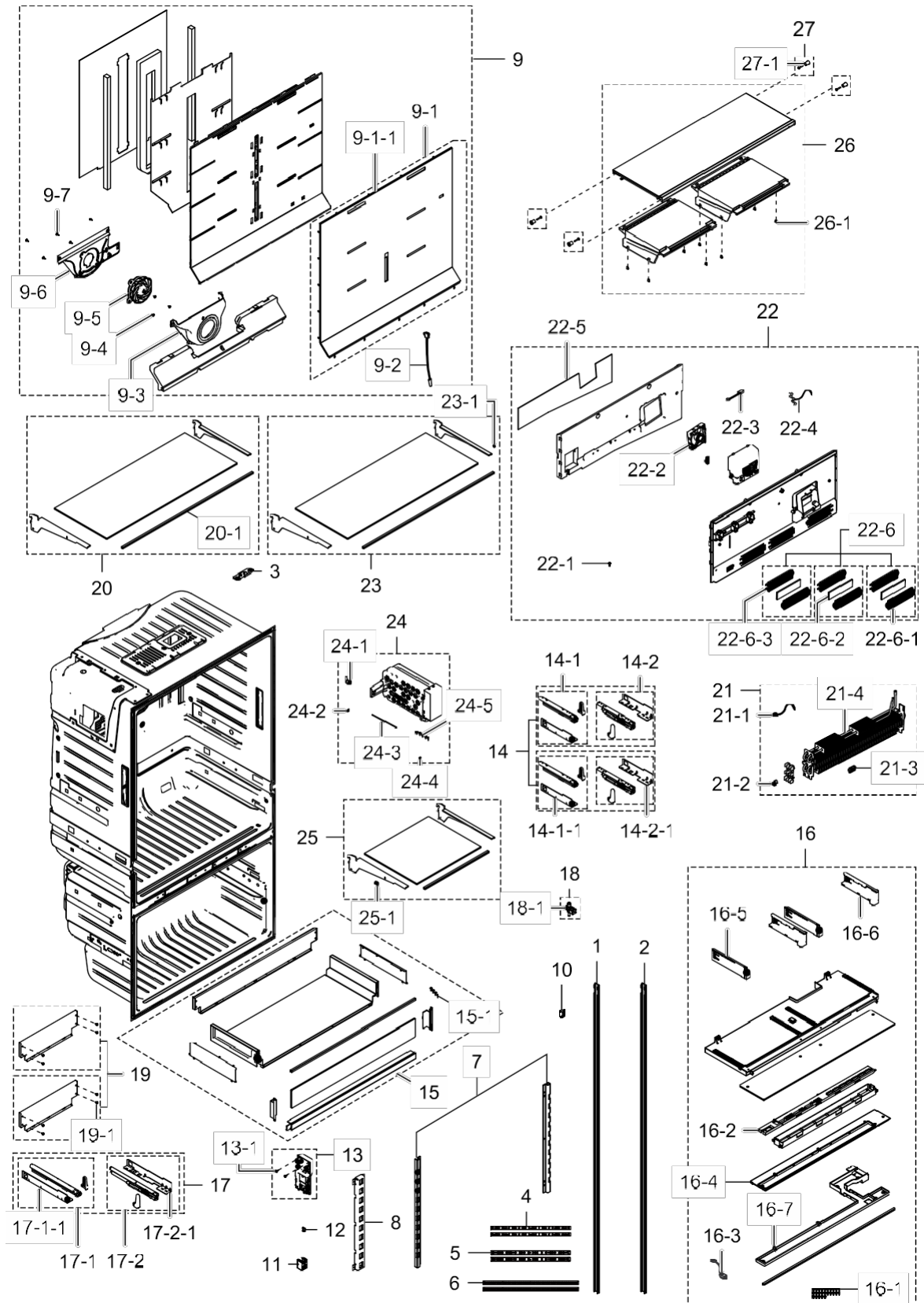
No.	Dacor Part #	Description	SNA
9	111581	ASSY RAIL-FRE UP RIGHT; BRF8000M	SA
9-1		RAIL; BRR9000M,PA66,NATURAL,KN332G30V0,TO	SNA
10	111584	ASSY RAIL-LOW; BRF8000M,SLIDE	SA
10-1	111582	ASSY RAIL-LOW LEFT; BRF8000M,SLIDE	SA
10-1-1	110720	SWITCH PRESSURE; PP,COOL WHITE	SA
10-1-2	110790	FIXER-GEAR; AW-PJT,POM,NATURAL,F20-03	SA
10-1-3	110797	MAGNET-A; HERMES,FERRITE,1600Gauss	SA
10-1-4	111052	GROMMET-A; BRF8000M,Si,FRONT	SA
10-1-5	111054	GROMMET-B; BRF8000M,Si,REAR	SA
10-1-6	111116	GEAR-RAIL L; AW-PJT,POM,NTR	SA
10-2	111122	SHAFT; BRF8000M_FDR36,SM25C,GEAR	SA
10-3	110873	REINF HANGER-REAR; BRF8000M_FDR36,EGI-SEC	SA
10-4	111133	CAP-SHAFT HOLE; AW3,ABS,HG-0760GP,COOL WH	SA
10-5	111583	ASSY RAIL-LOW RIGHT; BRF8000M,SLIDE	SA
10-5-1	111055	GROMMET-A; BRF8000M,Si,INOX GRAY,RIGHT	SA
10-5-2	111056	GROMMET-B; BRF8000M,Si,INOX GRAY,RIGHT	SA
10-5-3	110790	FIXER-GEAR; AW-PJT,POM,NATURAL,F20-03	SA
10-5-4	111115	GEAR-RAIL R; AW-PJT,POM,NTR,F20-03	SA
10-6	110651	SCREW-TAPPING; TH,+,NO,2S,M4,L8,ZPC(WHT),	SA
11	110876	CASE ICE ROOM-A; BRF8000M,HIPS,INOX GRAY,	SA
12	111162	SEAL CUTT-RUBBER; W2-05,BUTYL RUBBER,BLAC	SA
13	111472	ASSY ICE MAKER; BRR9000,BI-311, 120V, 8CU	SA
13-1	111237	ASSY WIRE HARNESS-ICE; ALL,FREE VOLT,UL+I	SA
14	111473	ASSY ICE MAKER; BRR9000,BI-312, 120V, 4CU	SA
14-1	111238	ASSY WIRE HARNESS-ICE; ALL,FREE VOLT,UL+I	SA
15	111512	ASSY CASE ICE; BRF8000M,36FDR,CUBE	SA
15-1		CASE ICE-CUBE; BRF8000M,PETG,NATURAL,FDR3	SNA
16		ASSY CASE DISPENSER; BRR9000M,Internal di	SNA
16-1	110647	SCREW-TAPPING; TH,+,1,M4,L12,ZPC(WHT),SWR	SA
17	111063	COVER LAMP-SIDE; BRF8000M,HIPS,T2.0,INNER	SA

**Freezer Parts List**

<b>No.</b>	<b>Dacor Part #</b>	<b>Description</b>	<b>SNA</b>
18	111264	ASSY LAMP LED; 18,FR-4,336*16,WHITE,LEK-0	SA
19	110998	COVER SENSOR-FRE; AW3,HIPS,NTR	SA
20	110985	COVER-FIXER HOUSING,V; NEXT,GALVALUM,T0.3	SA
21	111064	COVER LAMP-SIDE; BRF8000M,HIPS,T2.0,INNER	SA
Not Shown	109287	Mounting Stud	SA

## 2. Fridge

### Exploded View



### Fridge Parts List

No.	Dacor Part #	Description	SNA
1	111065	COVER LAMP-SIDE; BRF8000M,HIPS,T2.0,INNER	SA
2	111070	COVER LAMP-SIDE; BRF8000M,HIPS,T2.0,INNER	SA
3	110864	GUIDE FRENCH; BRF8000M,ABS+PC,HB,HR-1008B	SA
4	111271	ASSY LAMP LED; 17,CEM-1,512*16,WHITE,SMAW	SA
5	111270	ASSY LAMP LED; 17,CEM-1,512*16,WHITE,SMAW	SA
6	111267	ASSY LAMP LED; 51,FR-4,422*16,WHITE,DEM1-	SA
7		ANGLE SHELF-REF SIDE RIGHT; GI-SGCC,T3.0,	SNA
8		ANGLE SHELF-REF MIDDLE; GI-SGCC,T2.5,BRF8	SNA
9	111491	ASSY COVER MULTI-REF; BRF8000M	SA
9-1		ASSY PLATE COOLING; BRF8000M	SNA
9-1-1		PLATE COOLING-REF; BRF8000M,STS201,T0.6,3	SNA
9-2	110702	SENSOR TEMP; SC41198-021A,900mm,13.2kohm	SA
9-3	110839	CASE MOTOR-REF; RF-H920G,HIPS,NATURAL,HB,	SA
9-4	110654	SCREW-TAPPING; TH,+,-,1,M4,L12,PASS,STS30	SA
9-5	110693	MOTOR BLDC FAN; 12035GE-12M-YT,1775 7%,1	SA
9-6	110840	BRACKET MOTOR-REF A; RF-H920G,HIPS,T2.0,N	SA
9-7	110662	SCREW-TAPPING; TH,+,-,1,M4,L16,PASS,STS43	SA
10	110635	SWITCH-MICRO; 125/250VAC,1A,80gf,SPST-NO	SA
11	110985	COVER-FIXER HOUSING,V; NEXT,GALVALUM,T0.3	SA
12	111144	CAP DISPENSER; BRR9000M,ABS,HG-0760GP,INO	SA
13	111422	ASSY COVER DISPENSER; BRR9000M,Internal d	SA
13-1	110647	SCREW-TAPPING; TH,+,1,M4,L12,ZPC(WHT),SWR	SA
14	111663	ASSY RAIL; DRF36,VEGTABLE	SA
14-1		ASSY RAIL-UP LEFT; BRR9000M	SNA

## Fridge Parts List

No.	Dacor Part #	Description	SNA
14-1-1		BRACKET-UP; BRF8000M_FDR36,CR-SPCC,T1.6	SNA
14-2		ASSY RAIL-UP RIGHT; BRR9000M	SNA
14-2-1		BRACKET-UP; BRF8000M_FDR36,CR-SPCC,T1.6,R	SNA
15	111611	ASSY CASE PANTRY; BRF8000M,ASSY, FDR36	SA
15-1	110654	SCREW-TAPPING; TH,+,-,1,M4,L12,PASS,STS30	SA
16	111564	ASSY SHELF PANTRY; BRF8000M	SA
16-1	110647	SCREW-TAPPING; TH,+,1,M4,L12,ZPC(WHT),SWR	SA
16-2	111201	ASSY MODULE; DISPLAY PBA,BRF8000M,BRF8000	SA
16-3	111222	ASSY WIRE HARNESS-DISPENSER; ALL,FREE VOL	SA
16-4		ASSY SHELF REF SUB; BRF8000M,DISPLAY	SNA
16-5	111020	COVER RAIL-LOW LEFT; BRF8000M_FDR36,HIPS,	SA
16-6	111021	COVER RAIL-LOW RIGHT; BRF8000M_FDR36,HIPS	SA
16-7	111027	COVER DISPLAY; BRF8000M_FDR36,ABS+PC,CREA	SA
17	111664	ASSY RAIL; DRF36,PANTRY	SA
17-1		ASSY RAIL PANTRY-LEFT; BRF8000M	SNA
17-1-1		BRACKET-UP; BRF8000M_FDR36,CR-SPCC,T1.6,R	SNA
17-2		ASSY RAIL PANTRY-RIGHT; BRF8000M	SNA
17-2-1		BRACKET-UP; BRF8000M_FDR36,CR-SPCC,T1.6,R	SNA
18	111628	ASSY COCK DISPENSER; BRR9000M	SA
18-1		VALVE DC; DC12V,200,1WAY,L-Wire,1,1,NO	SNA
19	111610	ASSY CASE VEG-UP; BRF8000M,ASSY, FDR36	SA
19-1	110654	SCREW-TAPPING; TH,+,-,1,M4,L12,PASS,STS30	SA
20	111562	ASSY SHELF-REF UP; BRF8000M	SA
20-1		TRIM SHELF-REF; BRF8000M 36",STS304,STS30	SNA
21	111249	ASSY EVAP-REF; BRF8000M,FIN TUBE,36" FDR	SA
21-1	110703	SENSOR TEMP; SC41200-021A,250mm,11.73kohm	SA
21-2	110818	FIXER WIRE; AW3-PJT,PP,T2.0,NATURAL,HB,BJ	SA
21-3	110795	FIXER-SENSER; AW-PJT,PP,NATURAL,V-0	SA

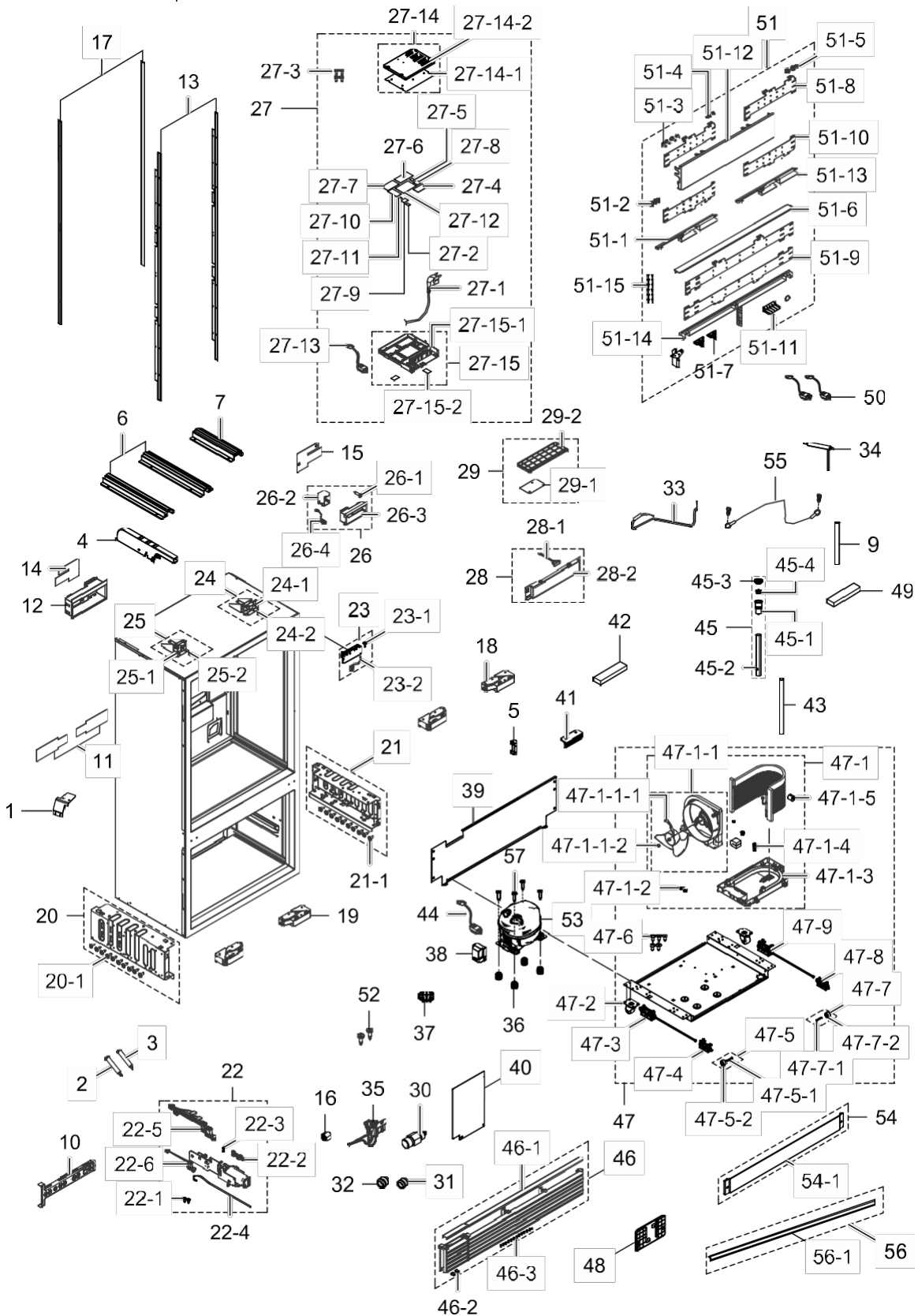
## Fridge Parts List

No.	Dacor Part #	Description	SNA
21-4		EVAPORATOR-REF; Fin Tube,BRF8000M,2,A1100	SNA
22	111493	ASSY COVER EVAP-REF; BRF8000M	SA
22-1	110654	SCREW-TAPPING; TH,+,-,1,M4,L12,PASS,STS30	SA
22-2	110694	MOTOR BLDC FAN; 92mm Boxfan Motor,33507	SA
22-3	110701	SENSOR HUMIDITY; DA32-00034D,5V,0~100%RH,	SA
22-4	110702	SENSOR TEMP; SC41198-021A,900mm,13.2kohm	SA
22-5	111165	SEAL COVER EVAP-REF; BRF8000M,PE FOAM,T2,	SA
22-6	111373	ASSY COVER DEODORIZER; BRR9000M,INOX GRAY	SA
22-6-1		COVER DEODORIZER; BRR9000M,HIPS,HB,INOX G	SNA
22-6-2	110681	CATALYST; MOUTON13,T5,ACIVATED CARBON,W39	SA
22-6-3		COVER DEODORIZER; BRR9000M,HIPS,HB,INOX G	SNA
23	111563	ASSY SHELF-REF LOW; BRF8000M	SA
23-1	110837	FIXER; AW2-14,POM,WHITE,HB,K-300	SA
24	111436	ASSY COVER WATER TANK; BRF8000M	SA
Not Shown	RAC00WFAAAA	WATER FILTER;	SA
24-1	110931	TUBE-FITTING L; POM,DARK HOLDER GRAY,1/4i	SA
24-2	110806	CLIP-FITTING LOCK; AW,POM	SA
24-3	110930	PIPE-WATER LINE; PE,6.35,PE-RT,ORANGE	SA
24-4	110668	SCREW-TAPPING; FH,+,-,NO,1,M4,L10,ZPC(WHT),	SA
24-5	110654	SCREW-TAPPING; TH,+,-,1,M4,L12,PASS,STS30	SA
25	111626	ASSY SHELF-REF LOW; BRF8000M,36" FDR	SA
25-1	110838	FIXER; AW2-14,POM,WHITE,HB,K-300	SA
26		ASSY SHELF COVER VEG; BRF8000M	SNA
26-1	111077	GROMMET-RAIL; CHILLED,PA6	SA
27	111629	ASSY FIXER; BRR9000M 30"	SA
27-1		FIXER; BRR9000M,POM,CREAMY STAINLESS,K300	SNA



# 3. Cabinet

## Exploded View



**Cabinet Parts List**

No.	Dacor Part #	Description	SNA
1	110909	BRACKET-LOCK; GI-SGCC,T2	SA
2	111568	ASSY PIPE WATER ICE; BRF8000M,built in FD	SA
3	111569	ASSY PIPE WATER ICE; BRF8000M,built in FD	SA
4	110866	GUIDE-UP; BRZ30980LPR,ABS,T2.5,HB,INOX GR	SA
5	110886	FIXER PIPE; BRR9000M,EPDM,BLACK	SA
6	110892	RAIL; BRR9000M,ABS,EBONY BLACK	SA
7	110896	RAIL-LEFT; BRR9000M,ABS,EBONY BLACK,FDR	SA
9	110946	PIPE WATER-LINE OUT; BRF8000M,PVC,WHITE	SA
10	111018	COVER HOSE; BRF8000M,HIPS,HB,INOX GRAY	SA
11	111030	COVER HINGE; BRF8000M,ABS,T1.5,HB,INOX GR	SA
12	111047	COVER HINGE-LEFT; BRF8000M,ABS,HB,INOX GR	SA
13	111091	CHASSIS CABI; BRR9000M,GI-SGCC,T0.8,-,-	SA
14	111151	CAP HINGE-UP LEFT; BRR9000M,ABS,T1.2,HG-0	SA
15	111152	CAP HINGE-UP RIGHT; BRR9000M,ABS,T1.2,HG-	SA
16	111170	VALVE-FITTING NUT; A-TOP,CU,12,C3604 BD-F	SA
17	111093	TRIM COVER; BRR9000M,Al,BI-327	SA
18	111379	ASSY HINGE-UP; BUILT-IN,K05-X	SA
19	111380	ASSY HINGE-LOW; BUILT-IN,K05-X	SA
20	111382	ASSY CABI FRAME-SIDE LEFT; BRR9000M,GI-SG	SA
20-1	110647	SCREW-TAPPING; TH,+,1,M4,L12,ZPC(WHT),SWR	SA
21	111386	ASSY CABI FRAME-SIDE RIGHT; BRR9000M,GI-S	SA
21-1	110647	SCREW-TAPPING; TH,+,1,M4,L12,ZPC(WHT),SWR	SA
22	111395	ASSY CASE FILTER; BRF8000M	SA
22-1	110647	SCREW-TAPPING; TH,+,1,M4,L12,ZPC(WHT),SWR	SA
22-2	110752	FITTING TUBE; AW4-4D,POM,Fitting Tube Y,	SA
22-3	110806	CLIP-FITTING LOCK; AW,POM	SA
22-4	110930	PIPE-WATER LINE; PE,6.35,PE-RT,ORANGE	SA
22-5	110934	VALVE WATER; AC110~127V,230,1WAY,L-Wire,1	SC

## Cabinets Parts List

No.	Dacor Part #	Description	SNA
22-6	110938	VALVE WATER; AC110-127V,350,1WAY,L-Wire,1	SA
23	111424	ASSY COVER HINGE; BRF8000M,ABS,FDR HANESS	SA
23-1	110671	SCREW-TAPPING; PWH,+,PW,1,M4,L16,ZPC(WHT)	SA
23-2	111273	ASSY WIRE HARNESS-ETC; ALL,100~127VAC,UL+	SA
24	111572	ASSY REINF-LEFT; BRF8000M,FDR,ZPC3	SA
24-1		REINF HINGE-UP RIGHT; BRF8000M,PO-SPHC,T3	SNA
24-2	110678	BOLT-ETC; M6,L20,ZPC(WHT),SWRCH18A,FH	SA
25	111571	ASSY REINF-RIGHT; BRF8000M,FDR,ZPC3	SA
25-1		REINF HINGE-UP LEFT; BRF8000M,PO-SPHC,T3.	SNA
25-2	110678	BOLT-ETC; M6,L20,ZPC(WHT),SWRCH18A,FH	SA
26	111576	ASSY COVER HINGE-UP RIGHT; BRR9000M,FDR	SA
26-1	110660	SCREW-TAPPING; FH,+,1,M4,L18,ZPC(WHT),SWR	SA
26-2	111041	COVER HINGE-UP RIGHT; BRR9000M,PC,5V-B,EB	SA
26-3		COVER HINGE-RIGHT; BRF8000M,ABS,HB,INOX G	SNA
26-4	111276	ASSY WIRE HARNESS-ETC; 1-DOOR,FREE VOLT,U	SA
27		ASSY CASE PBA; BRF8000M,FDR,DACOR	SNA
27-1	110639	CBF-POWER CORD; AT,USA,US3F-1,3C,125V,15A	SA
27-2	110640	W-LAN MODULE; DWMSMQ96L01S,IEEE802.11,2.4	SA
27-3	110647	SCREW-TAPPING; TH,+,1,M4,L12,ZPC(WHT),SWR	SA
27-4	111687	ASSY MODULE; ASSY GENDER,ASSY GENDER, CEM	SA
27-5	110683	COIL FILTER; 22mH,82*60,AC 8A,0.47uF / 0.	SA
27-6	111197	ASSY PCB INVERTER; INVERTER,LC3_3050_V2,1	SA
27-7	111198	ASSY MODULE; STD#9 SMPS,RF9500(Family Hub	SA
27-8	111199	ASSY MODULE; BUZZER PBA,RB6000K	SA
27-9	111203	ASSY MODULE; PBA-FUSE BLOCK,RF8000MC,30*5	SA
27-10	111205	ASSY PCB SUB; Network,WiFi,LTE,WideCamera	SA

DRF367500AP

27-11	111206	ASSY MODULE; 2CH,USB_HUB,BRR9000M,30*57,F	SA
-------	--------	--	----

## Cabinets Parts List

No.	Dacor Part #	Description	SNA
27-12	111211	ASSY PCB EEPROM; 0x02,D601,BRF8000M,DACOR	SA
27-13	111272	ASSY WIRE HARNESS-ETC; FDR,FREE VOLT,UL+I	SA
27-14	111618	ASSY COVER PBA; BRR9000M,FDR	SA
27-14-1		PLATE COVER; BRF8000M,GI-SGCC,T0.5,FDR	SNA
27-14-2		COVER PBA; BRR9000M,PC,5V-B,EBONY BLACK,H	SNA
27-15	111648	ASSY CASE PBA; BRF8000M,FDR,SUB ASSY	SA
27-15-1		CASE PBA; BRR9000M,PC,EBONY BLACK,5V-B,HN	SNA
27-15-2	110904	PLATE COVER; A1,T0.15,FDR	SA
28	111622	ASSY COVER-FRONT; BRR9000M,FDR	SA
28-1	110719	SWITCH REED; UL1007 AWG 22,280(680),25045	SA
28-2		COVER FRONT; BRR9000M,PC,5V-B,EBONY BLACK	SNA
29	111625	ASSY COVER-FRONT UP; BRR9000M,FDR	SA
29-1		PLATE COVER; BRF8000M,GI-SGCC,T0.5,FRONT,	SNA
29-2		COVER FRONT-UP; BRR9000M,PC,5V-B,EBONY BL	SNA
30	110918	VALVE-FITTING PU; BEST-BUY,(C3604BD-F)+BN	SA
31	110746	FITTING-LOKRING 33; SUM23,33	SA
32	110747	FITTING LOKRING; SUM23,St 56	SA
33	110935	PIPE CONNECT-SUCTION; BRR9000M,Cu,OD6.35,	SA
34	110940	DRYER; C1220T-H,114,SINGLE MOUTH,R-600a O	SA
35	110941	VALVE STEP; DC12V,MODULE,3WAY,RIGHT/RIGHT	SA
36	110979	GROMMET COMP; USP05,EPDM,OD27.0,BLACK	SA
37	110990	COVER-URETHANE; AW-PJT,ABS,BLACK,5VA	SA
38	111001	COVER RELAY; MSV,MPPO,T2.0,BLACK,V-0	SA
39	111031	COVER COMP-REAR; BRF8000M,GI-SGCC,T0.8	SA
40	111146	PARTITION-FRONT; BRF8000M,GI-SGCC,T0.6	SA
41	111149	PARTITION-UP; BRR9000M,HIPS,T1.2	SA
42	111162	SEAL CUTT-RUBBER; W2-05,BUTYL RUBBER,BLAC	SA
43	111169	PIPE CONNECT-DISC; RF8000MC,Cu,OD6.35,T0.	SA

## Cabinets Parts List

No.	Dacor Part #	Description	SNA
44	111246	ASSY WIRE HARNESS-COMP; ALL,FREE VOLT,UL+	SA
45	111338	ASSY CAP-DRAIN; AW3	SA
45-1	111128	CAP-DRAIN; AW4,HIPS,HB,S834S1,NATURAL	SA
45-2	110928	TUBE PVC; AW3,SF-PVC,BLACK	SA
45-3	110982	GROMMET-DRAIN; RS18RK,NBR,-,-,-,-,BLK,-	SA
45-4	110811	FIXER-DRAIN; HAEMIL,PP,T0.6,CARMEN WINE,B	SA
46	111469	ASSY CHASSIS AIR GRILLE; BRF8000M,36" FDR	SA
46-1		CHASSIS GRILLE; BRF8000M,A1,T1.0,L0.784,-	SNA
46-2	111121	LATCH; LATOUR,POM,BLACK,DC LATCH	SA
46-3	110649	SCREW-TAPPING; TH,+,NO,1,M4,L8,ZPC(WHT),S	SA
47	111475	ASSY CHASSIS COMP; BRF8000M,36" Common	SA
47-1	111447	ASSY TRAY DRAIN WATER; BRF8000M,T2,FDR	SA
47-1-1	111375	ASSY SUPPORT-CIRCUIT MOTOR; BRR9000M,C 16	SA
47-1-1-	110692	FAN; HM12,ABS+GLASSFIBER,GR-4010/NTR	SC
47-1-1-	110913	SPRING ETC-FAN; STS304,PI8.8,ID7.8,OD9.8,	SA
47-1-2	110647	SCREW-TAPPING; TH,+,1,M4,L12,ZPC(WHT),SWR	SA
47-1-3		BRACKET CONDENSER; BRF8000M,PP,T2,36" FDR	SNA
47-1-4	111006	GROMMET-IMMERSION PIPE B; ROMANEE CONTI,N	SA
47-1-5	111074	GROMMET-SUCT PIPE A; NBR,-,ID4,OD20	SC
47-2	110910	CASTER; BRR9000M,MSWR,OD40, BLACK	SA
47-3	111392	ASSY LEG-REAR; BRR9000M	SA
47-4	111390	ASSY LEG-FRONT; BRR9000M	SA
47-5	111534	ASSY CASTER-FRONT; BRR9000M,GI-SGCC,T3.0,	SA
47-5-1	110757	PIN-CASTER; SR-289-429,MSWR,L38,ZPC2	SA

## DRF367500AP

47-5-2	110821	CASTER-REAR; GRAND-CRU,PP,NATURAL	SA
47-6	110647	SCREW-TAPPING; TH,+,1,M4,L12,ZPC(WHT),SWR	SA
47-7	111533	ASSY CASTER; BRR9000M,GI-SGCC,T3.0,LEFT	SA
47-7-1	110757	PIN-CASTER; SR-289-429,MSWR,L38,ZPC2	SA
47-7-2	110821	CASTER-REAR; GRAND-CRU,PP,NATURAL	SA
47-8	111391	ASSY LEG-FRONT; BRR9000M,RIGHT	SA
47-9	111393	ASSY LEG-REAR; BRR9000M,RIGHT	SA
48	110877	CASE-PIPE; BRR9000M,PP,NATURAL	SA

## Cabinets Parts List

No.	Dacor Part #	Description	SNA
49	110923	SEAL CUTT-RUBBER; RR2500K,RUBBER,BLACK,T5	SA
50	111235	ASSY WIRE HARNESS-LED; ALL,12VDC,UL+IEC,N	SA
51		ASSY INSTALL; 36IN FDR	SNA
51-1	111138	CAP DOOR-REF LOW LEFT; BRF8000M,ABS,HB,HG	SA
51-2	110658	SCREW-TAPPING; TH,+,-,2,M5,L16,ZPC(WHT),S	SA
51-3	110661	SCREW-TAPPING; FH,+,NO,1,M4,L14,ZPC(WHT),	SC
51-4	110679	BOLT-HEX; M6,L12,ZPC(WHT),SWRCH10A	SA
51-5	110680	NUT-HEXAGON FLANGE; M8,SWRCH10A,FLANGE, M	SA
51-6	111145	CAP DOOR-FRE UP; BRF8000M,AI,T1.5	SA
51-7	110889	GUIDE PANEL; BRR9000M,HIPS,S834S1,COOL WH	SA
51-8	110898	BRACKET-WOOD; BRF8000M,PO-SPHC,T2.3,FDR 3	SA
51-9	110899	BRACKET-WOOD; BRR9000M,PO-SPHC,T2.3,COLUM	SA
51-10	110900	BRACKET-WOOD; BRF8000M,PO-SPHC,T2.3,FDR 3	SA
51-11	110903	SUPPORT-REF; BRR9000M,GI-SGCC,T3,Anti Tip	SA
51-12	111092	TOP TABLE-FRONT; BRF8000M,ABS,INOX GRAY,H	SA
51-13	111139	CAP DOOR-REF LOW RIGHT; BRF8000M,ABS,HB,H	SA
51-14	111137	CAP DOOR-FRE LOW; BRF8000M,ABS,T2.0,HB,HG	SA
51-15	110648	SCREW-TAPPING;TH,+,NO,1,M4,L16,ZPC(WHT)	SA
52	111689	FIXER-STEP MOTOR; RUBY,SWRCH18A	SA
53	111693	CMP,COMP,REFRIGERATOR,R-600A; CMP,COMP,REFRIGERATOR,R-600A	SA
54	111653	ASSY COVER COMP-LOW; BRR9000M,36"	SA
54-1		COVER COMP-LOW; BRB8000M,GI-SGCC,T1.2	SNA
55	110722	ASSY WIRE HARNESS-EARTH; ALL,FREE VOLT,UL	SA
56		ASSY TRIM KIT;BRF8000M,36FDR	SA
56-1	112215	TRIM;BRF8000M,ABS,HG-0760GP,INOX GRAY,36	SNA
57	110677	BOLT-HEX; M6,L43.6,SWRCH10A	SA

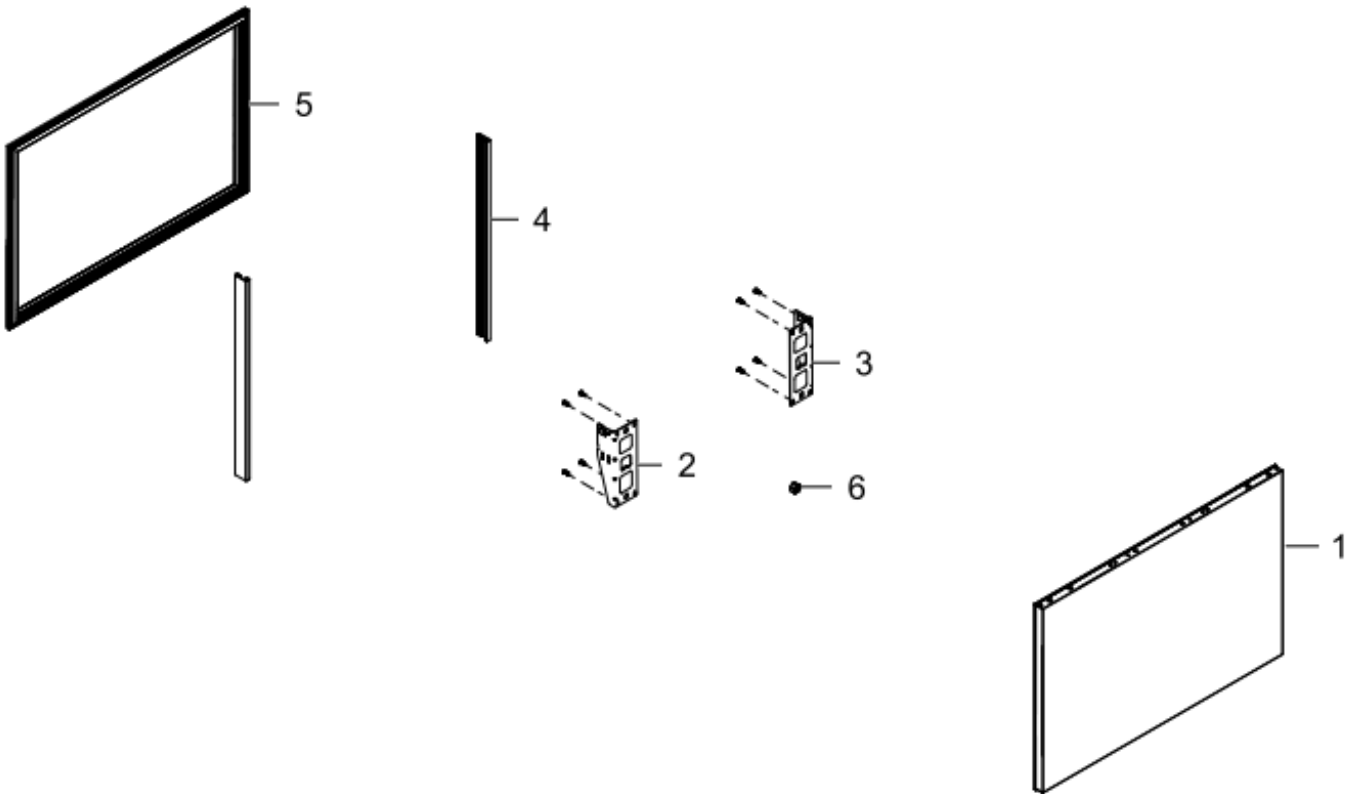


## Door Panels, Handles and Toe Kick

	Part	Part#	Finish
36" FDR	Fridge Left Panel	114130	Graphite
	Fridge Right Panel	114131	Graphite
	Freezer Bottom Panel	114132	Graphite
	Modern Handle	114133	Graphite
	Toe Kick Plate	114134	Graphite
	Fridge Left Panel	114135	Stainless
	Fridge Right Panel	114136	Stainless
	Fridge Left Panel	114137	Stainless
	Fridge Right Panel	114138	Stainless
	Freezer Bottom Panel	114139	Stainless
	Modern Handle	114140	Stainless
	Pro Handle	114141	Stainless
	Toe Kick Plate	114142	Stainless
	Custom Panel-REF	114326	Stainless
	Custom Panel-REF RIGHT	114327	Stainless
	Custom Panel-FRE LEFT	114328	Stainless

## 4. Freezer Door

### Exploded View

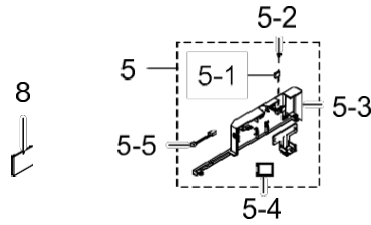
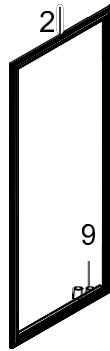


**Freezer Door Parts List**

No.	Dacor Part #	Description	SNA
1	111177	ASSY DOOR FOAM; BRF8000M,FDR FRE	SA
2		HANGER-LEFT;BRF8000M,EGI-SECC	SA
3		HANGER-RIGHT;BRF8000M,EGI-SECC	SA
4	111089	TRIM DOOR-FRE; BRF8000M,ABS,XM-0900,VF SI	SA
5	111410	ASSY GASKET; BRF8000M,FDR FRE GASKTE , DA	SA
6	110787	SUPPORT-DOOR POSITION,IN; AW-PJT,HIPS,-,-	SA

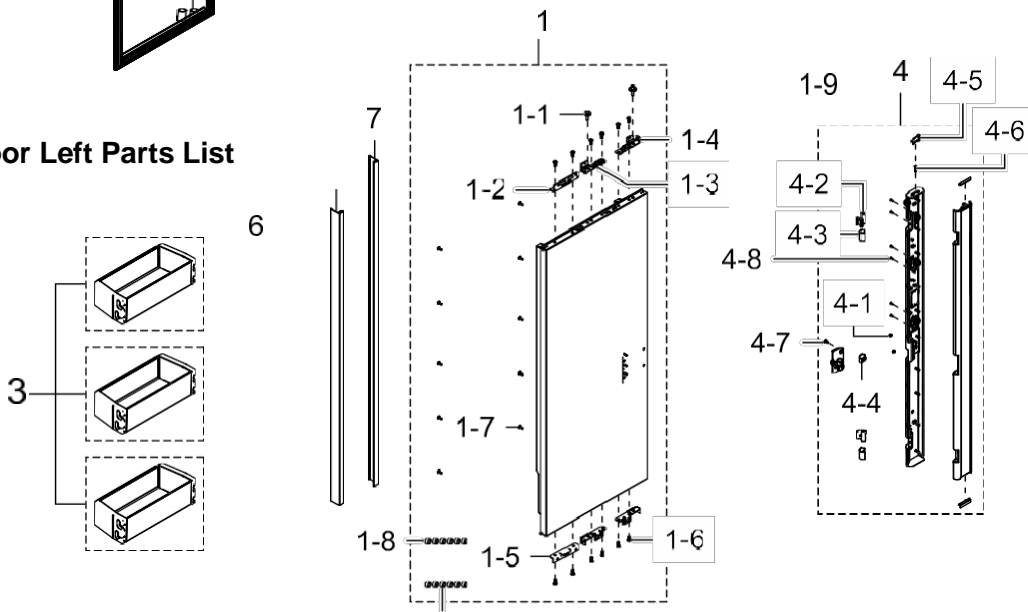
# 5. Fridge Door Left

## Exploded View



Revision on Door. Please see Page 23

## Fridge Door Left Parts List



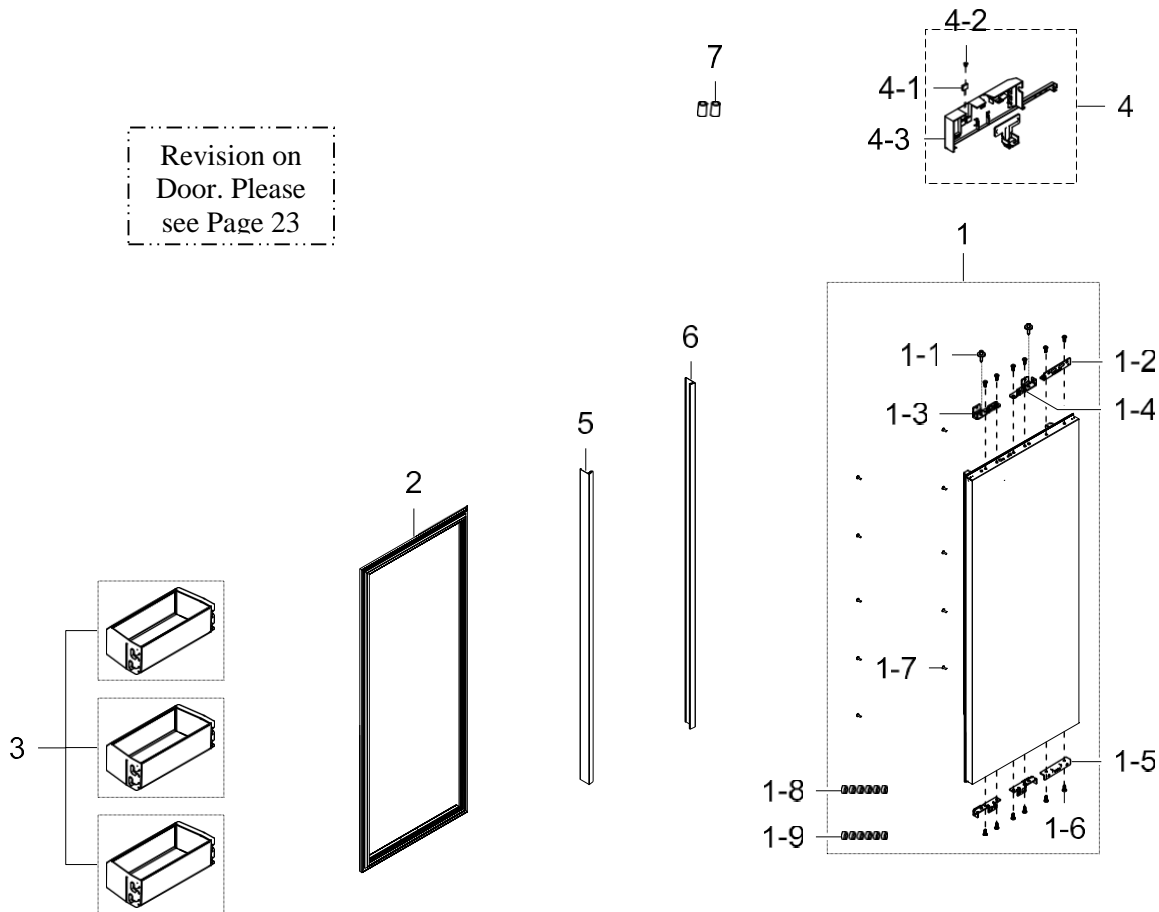
No.	Dacor Part #	Description	SNA
1	111175	ASSY DOOR FOAM-REF LEFT; BRF8000M,AP(Pane	SA
1-1	110847	FIXER-UP FRONT; BRR9000M,SWRCH10A,M6	SA
1-2	110857	BRACKET HINGE-REF UP; PO-SPHC,T2.5,FDR,Z1	SA
1-3	110848	BRACKET-UP; BRR9000M,PO-SPHC,T2.3,LEFT	SA
1-4	110845	BRACKET-UP; BRR9000M,PO-SPHC,T2.3,RIGHT	SA
1-5	110850	BRACKET HINGE-REF LOW; BRF8000M,PO-SPHC,T	SA
1-6	110658	SCREW-TAPPING; TH,+,-,2,M5,L16,ZPC(WHT),S	SA
1-7	110666	SCREW-TAPPING; TH,+,-,2S,M4,L12,ZPC(WHT),	SA
1-8		CAP SPACE;BRF8000M,SI,GRAY,CAP DIKE _ FD	SA

## Fridge Door Left Parts List

No.	Dacor Part #	Description	SNA
1-9		CAP SPACE;BRF8000M,SI,GRAY,CAP DIKE _ FD	SA
2	111411	ASSY GASKET; BRF8000M,FDR REF GASKET, DAR	SA
3	111419	ASSY GUARD-REF; BRF8000M,FDR36	SA
4	111455	ASSY FRENCH; BRF8000M,INOX GRAY, 110V, NO	SA
4-1	111014	GROMMET-A; MOUTON12,SI,COOL WHITE,NAME TA	SA
4-2	110827	HINGE-FRENCH; AW4,PA6,T2.0,HI7025,COOL WH	SA
4-3	111130	CAP-CASE FRENCH; AW-PJT,ABS,HG-0760GP,CO	SA
4-4	111131	CAP-CASE FRENCH MID; AW-PJT,ABS,HG-0760GP	SA
4-5		CAP GUIDE FRENCH-UP; AW4,PA66,KN3311,NATU	SNA
4-6		SPRING ETC-ETC CAP GUIDE; AW4,STS304,3.0,	SNA
4-7	110647	SCREW-TAPPING; TH,+,1,M4,L12,ZPC(WHT),SWR	SA
4-8	110659	SCREW-TAPPING; PH,+,NO,2S,M3,L8,ZPC(WHT),	SA
5	111441	ASSY CAP DOOR-REF UP LEFT; BRF8000M,ABS,F	SA
5-1	110798	MAGNET; SVETA,FERRITE,1600Gauss	SA
5-2	111133	CAP-SHAFT HOLE; AW3,ABS,HG-0760GP,COOL WH	SA
5-3		CAP DOOR-REF UP LEFT; BRF8000M,ABS,HB,HG-	SNA
5-4	111033	COVER TOP TABLE;BRR9000M,ABS,HB,INOX GRA	SA
5-5	110709	SENSOR HUMIDITY;5V,0~100%RH,REF	SA
6	111088	TRIM DOOR-REF LEFT; BRF8000M,ABS,XM-0900,	SA
7	111090	TRIM DOOR-REF R; BRF8000M,ABS,XM-0900,VF	SA
8	111039	COVER CAP DOOR; BRR9000M,ABS,INOX GRAY	SA
9	110906	FIXER;BRR9000M,ABS,NATURAL,HG-0760GP	SA

# 6. Fridge Door Right

## Exploded View

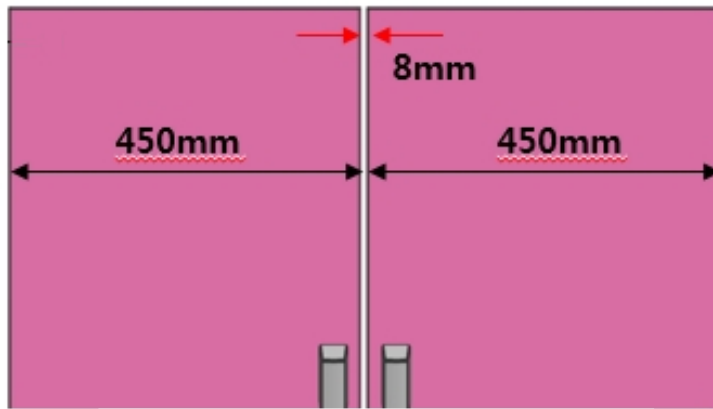


**Fridge Door Right Parts List**

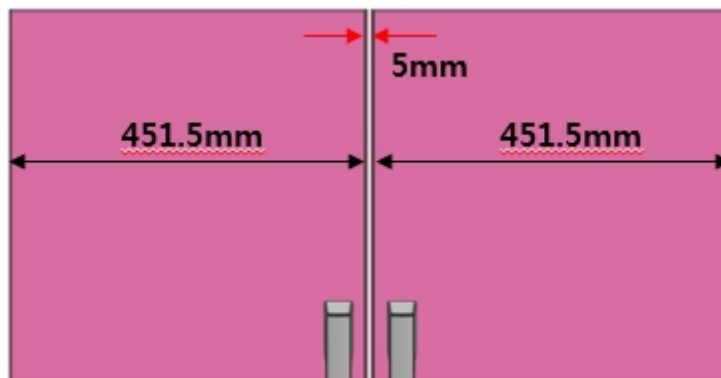
No.	Dacor Part #	Description	SNA
1	111176	ASSY DOOR FOAM-REF RIGHT; BRF8000M	SA
1-1	110847	FIXER-UP FRONT; BRR9000M,SWRCH10A,M6	SA
1-2	110858	BRACKET HINGE-REF UP; PO-SPHC,T2.5,FDR BR	SA
1-3	110848	BRACKET-UP; BRR9000M,PO-SPHC,T2.3,LEFT	SA
1-4	110845	BRACKET-UP; BRR9000M,PO-SPHC,T2.3,RIGHT	SA
1-5	110851	BRACKET HINGE-REF LOW; PO-SPHC,T2.5,FDR B	SA
1-6	110658	SCREW-TAPPING; TH,+,-,2,M5,L16,ZPC(WHT),S	SA
1-7	110666	SCREW-TAPPING; TH,+,-,2S,M4,L12,ZPC(WHT),	SA
1-8		CAP SPACE;BRF8000M,SI,GRAY,CAP DIKE _ FD	SA

## Fridge Door Right Parts List

No.	Dacor Part #	Description	SNA
1-9		CAP SPACE;BRF8000M,SI,GRAY,CAP DIKE _ FD	SA
2	111411	ASSY GASKET; BRF8000M,FDR REF GASKET, DAR	SA
3	111419	ASSY GUARD-REF; BRF8000M,FDR36	SA
4	111440	ASSY CAP DOOR-REF UP RIGHT; BRF8000M,ABS,	SA
4-1	110798	MAGNET; SVETA,FERRITE,1600Gauss	SA
4-2	111133	CAP-SHAFT HOLE; AW3,ABS,HG-0760GP,COOL WH	SA
4-3		CAP DOOR-REF UP LEFT; BRF8000M,ABS,HB,HG-	SNA
5	111088	TRIM DOOR-REF LEFT; BRF8000M,ABS,XM-0900,	SA
6	111090	TRIM DOOR-REF R; BRF8000M,ABS,XM-0900,VF	SA
7	110906	FIXER;BRR9000M,ABS,NATURAL,HG-0760GP	SA



~ 2017 July  
Fridge Left Panel: 114137  
Fridge Right Panel: 114138



2017 July ~  
Fridge Left Panel: 114135  
Fridge Right Panel: 114136

