



The Life of the Kitchen.®

PARTS CATALOG

DR30D, DR30DI, DR30IH, DR30DH Range

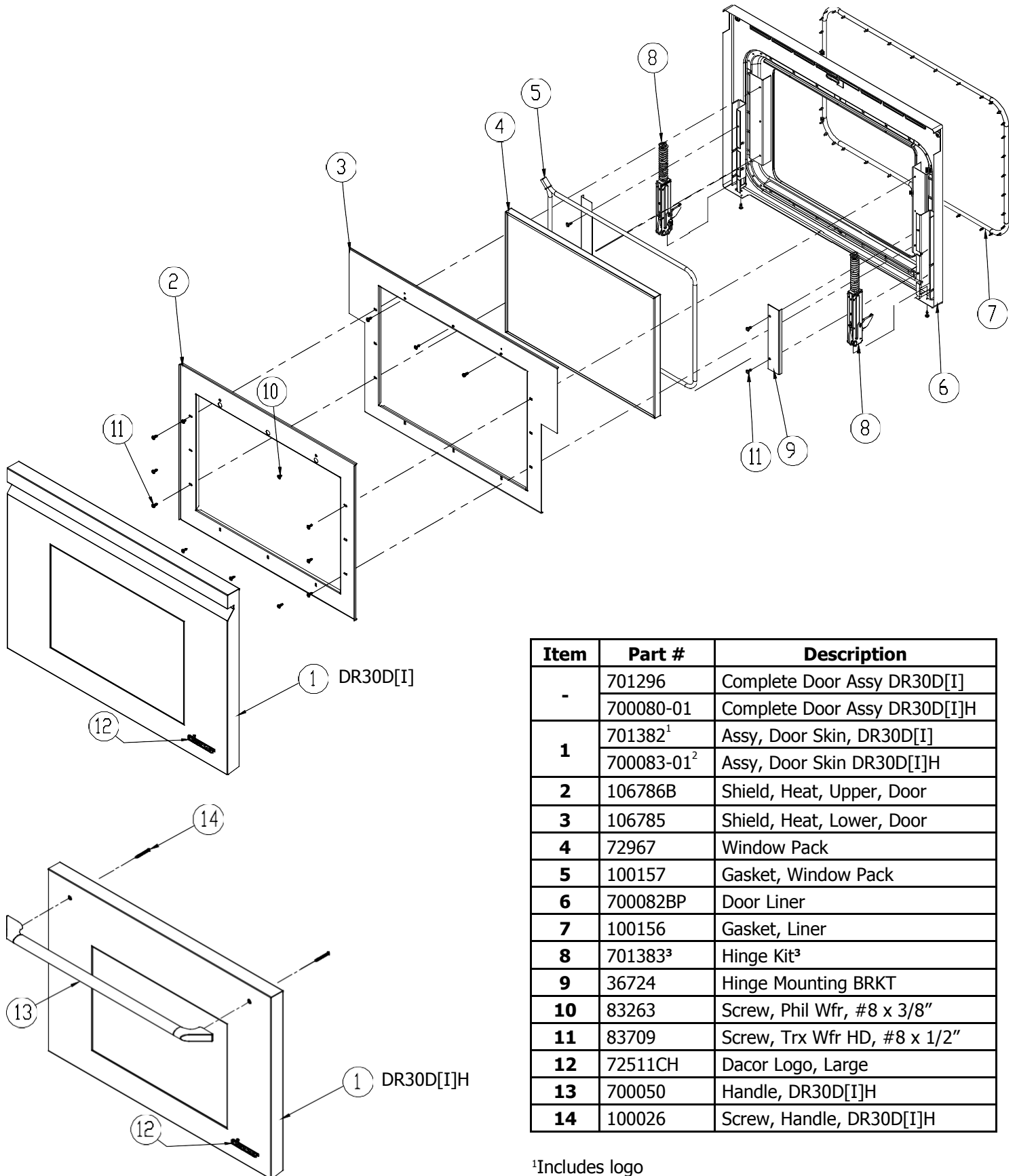
Page	Description
2	Door Assembly
3	Control Panel Assembly
4	Upper Cooktop Assembly
5	Lower Cooktop Assembly
6	Sub-Panel/Manifold Assembly
7	Case Top Assembly
8	Outer Assembly
9	Cell Assembly
10	Base Assembly

IMPORTANT: This model is not approved for field conversions from one gas type to another and from one altitude setting to another.

Revised 03-17-2015

Dacor Technical Service • 14425 Clark Avenue Industry, CA 91745 • Phone 800-353-2267 • FAX 909-348-5601

DR30D Door Assembly



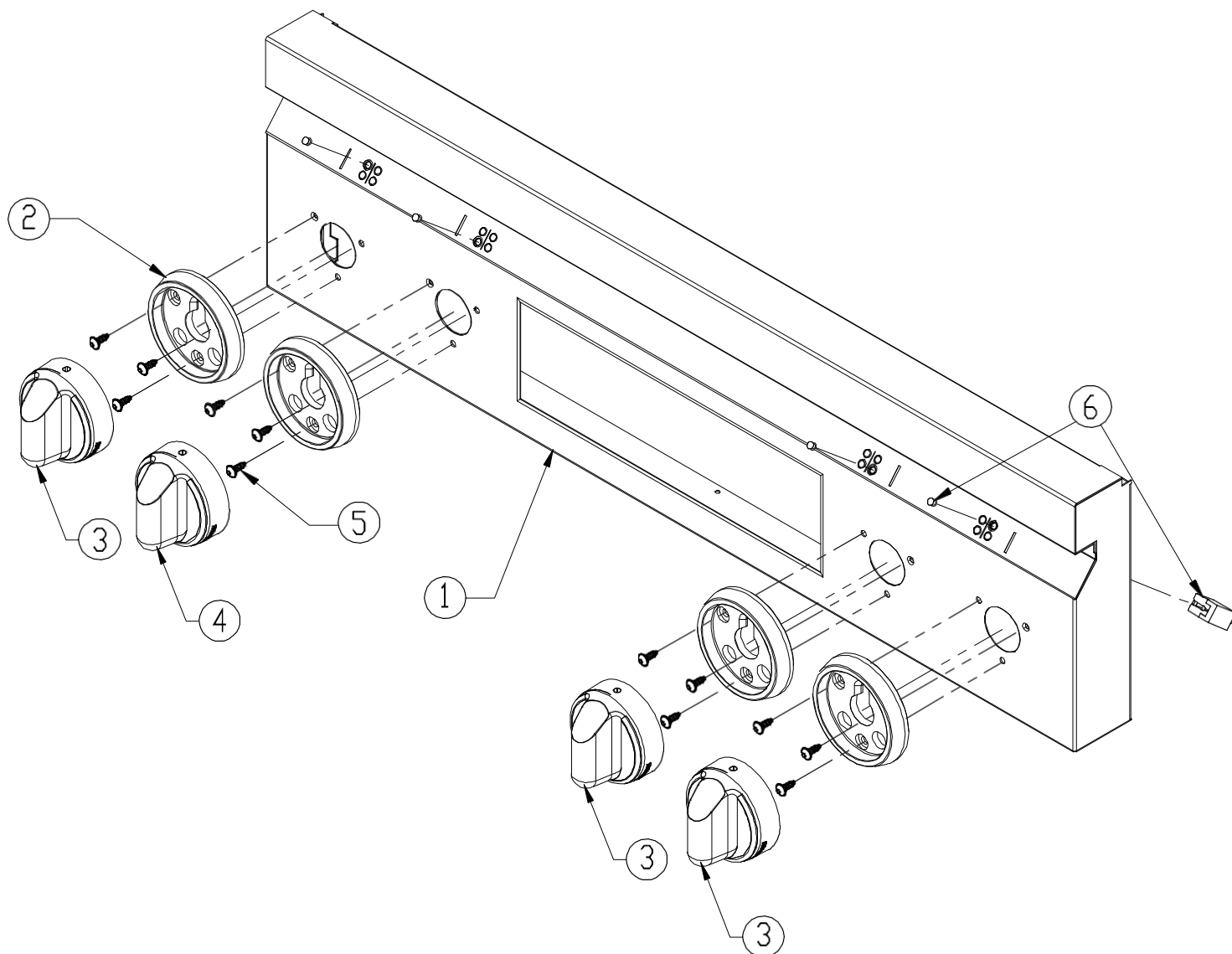
Item	Part #	Description
-	701296	Complete Door Assy DR30D[I]
-	700080-01	Complete Door Assy DR30D[I]H
1	701382 ¹	Assy, Door Skin, DR30D[I]
	700083-01 ²	Assy, Door Skin DR30D[I]H
2	106786B	Shield, Heat, Upper, Door
3	106785	Shield, Heat, Lower, Door
4	72967	Window Pack
5	100157	Gasket, Window Pack
6	700082BP	Door Liner
7	100156	Gasket, Liner
8	701383 ³	Hinge Kit ³
9	36724	Hinge Mounting BRKT
10	83263	Screw, Phil Wfr, #8 x 3/8"
11	83709	Screw, Trx Wfr HD, #8 x 1/2"
12	72511CH	Dacor Logo, Large
13	700050	Handle, DR30D[I]H
14	100026	Screw, Handle, DR30D[I]H

¹Includes logo

²Does not include logo (item 12)

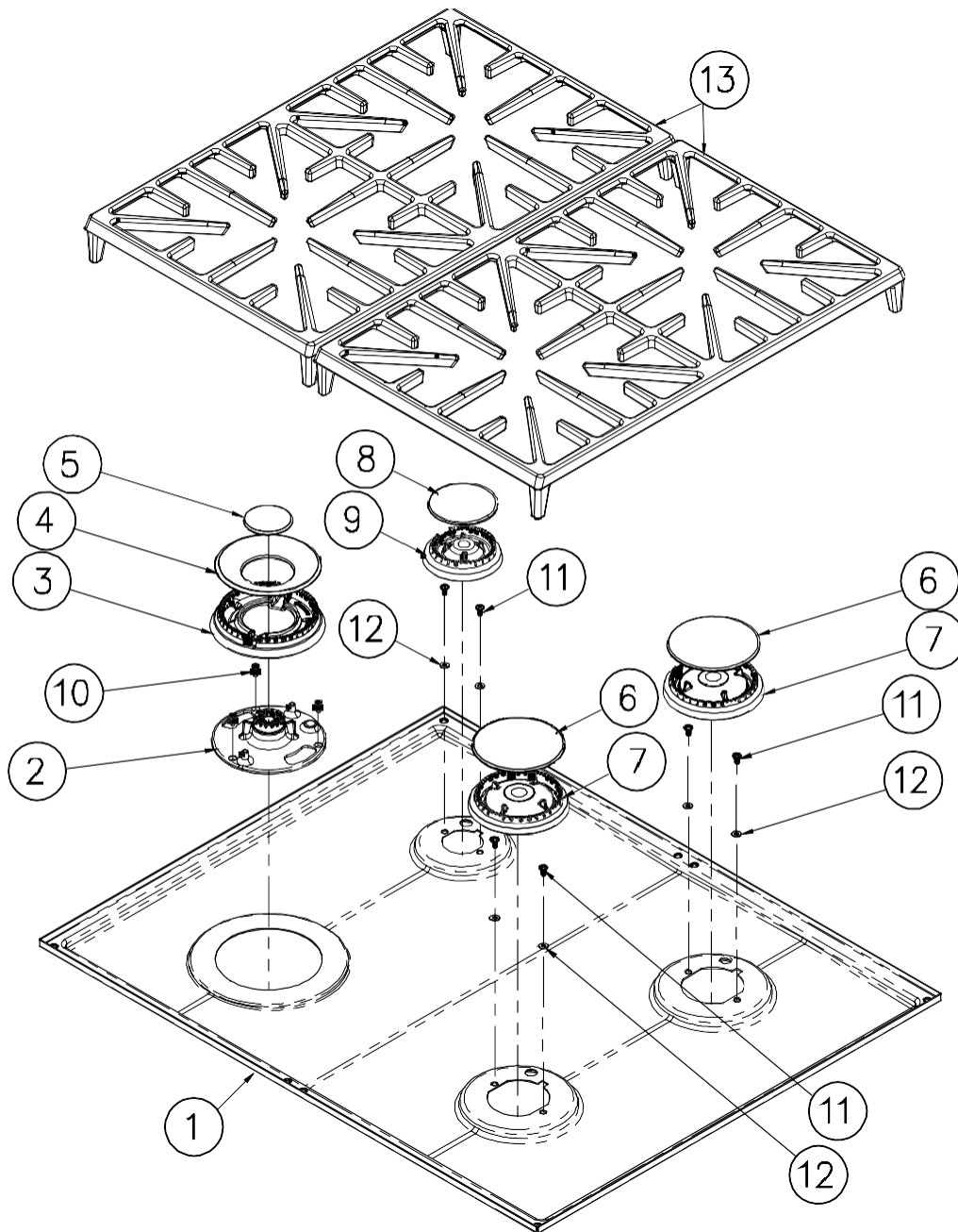
³Includes both left and right hinges

DR30D Control Panel Assembly



Item	Part #	Description
1	701292E	Control Panel, 30"
2	100122CH	Trim Ring, Chrome
3	106575-04	Knob, Single, Black
	105377-04	Knob, Single, Metallic
4	106575-05	Knob, Dual, Black
	105377-05	Knob, Dual, Metallic
5	83709	Screw, Trx Wfr HD, #8 x 1/2"
6	62036	Lens & Indicator Light, Blue

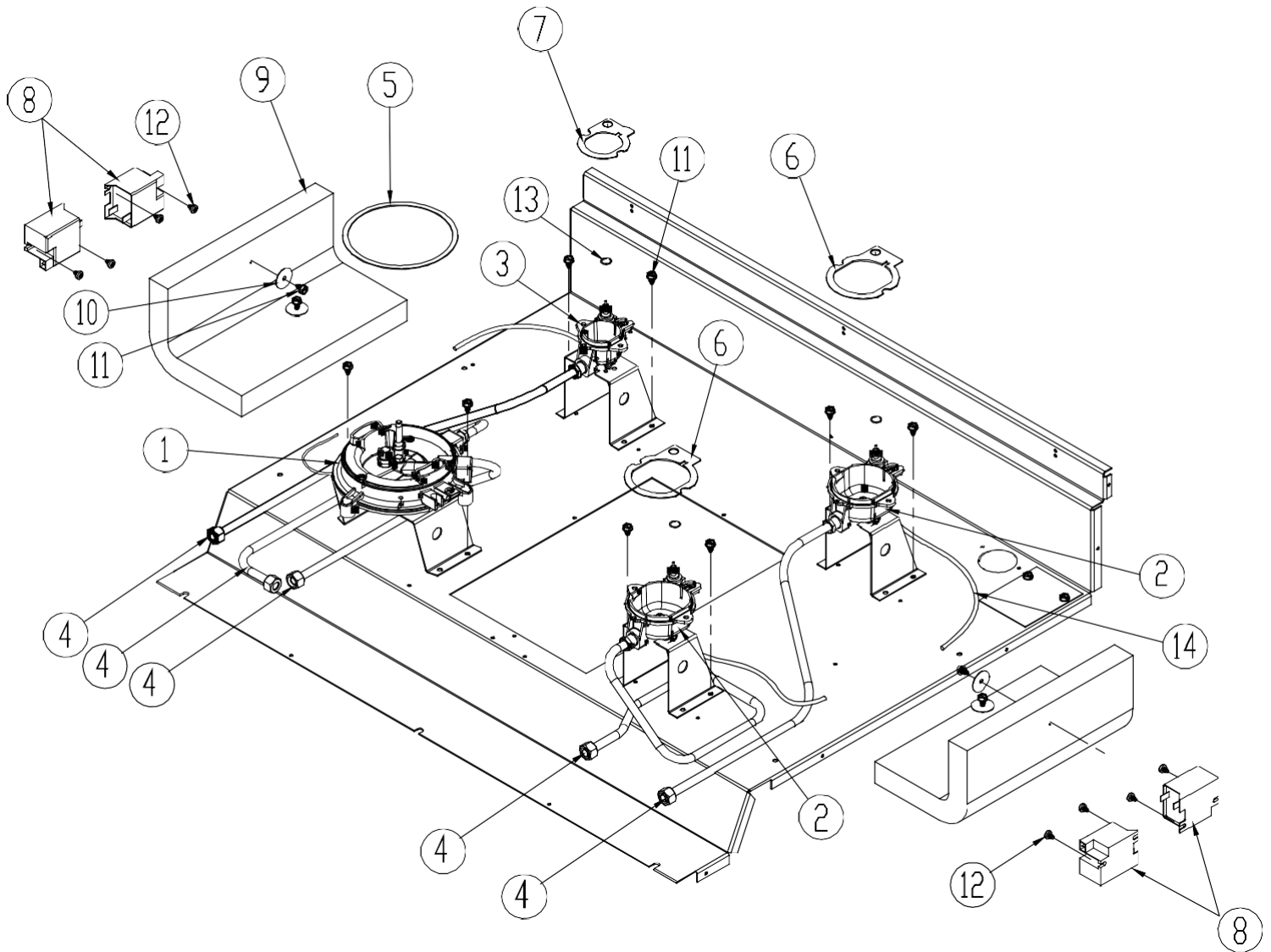
DR30D Upper Cooktop Assembly



Item	Part #	Description
1	102596BP	Spill Tray
2	102587	Ring, Burner, Inner, 18k
3	102588	Ring, Burner, Outer, 18k
4	102586	Cap, Burner, Outer, 18k
5	102585	Cap, Burner, Outer, 18k
6	102590	Cap, Burner, 15k
7	102591	Ring, Burner, 15k

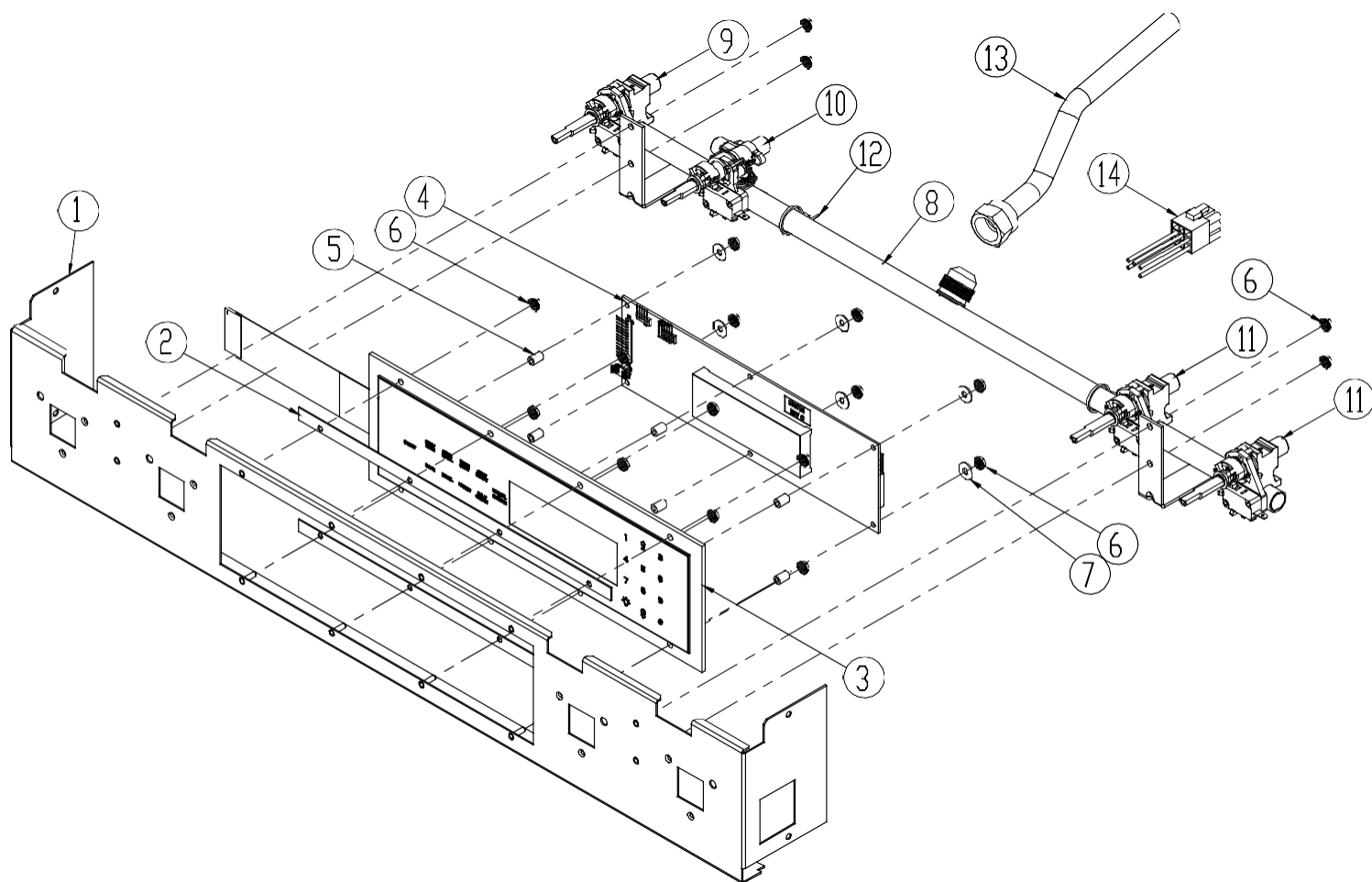
Item	Part #	Description
8	102593	Cap, Burner, 9.5k
9	102594	Ring, Burner, 9.5k
10	103755	Screw, M4 x 12mm
11	103696	Screw, M4 x 8mm
12	83272	Flatwasher, #8, SS
13	101524	Grate, 14" x 23"

DR30D Lower Cooktop Assembly



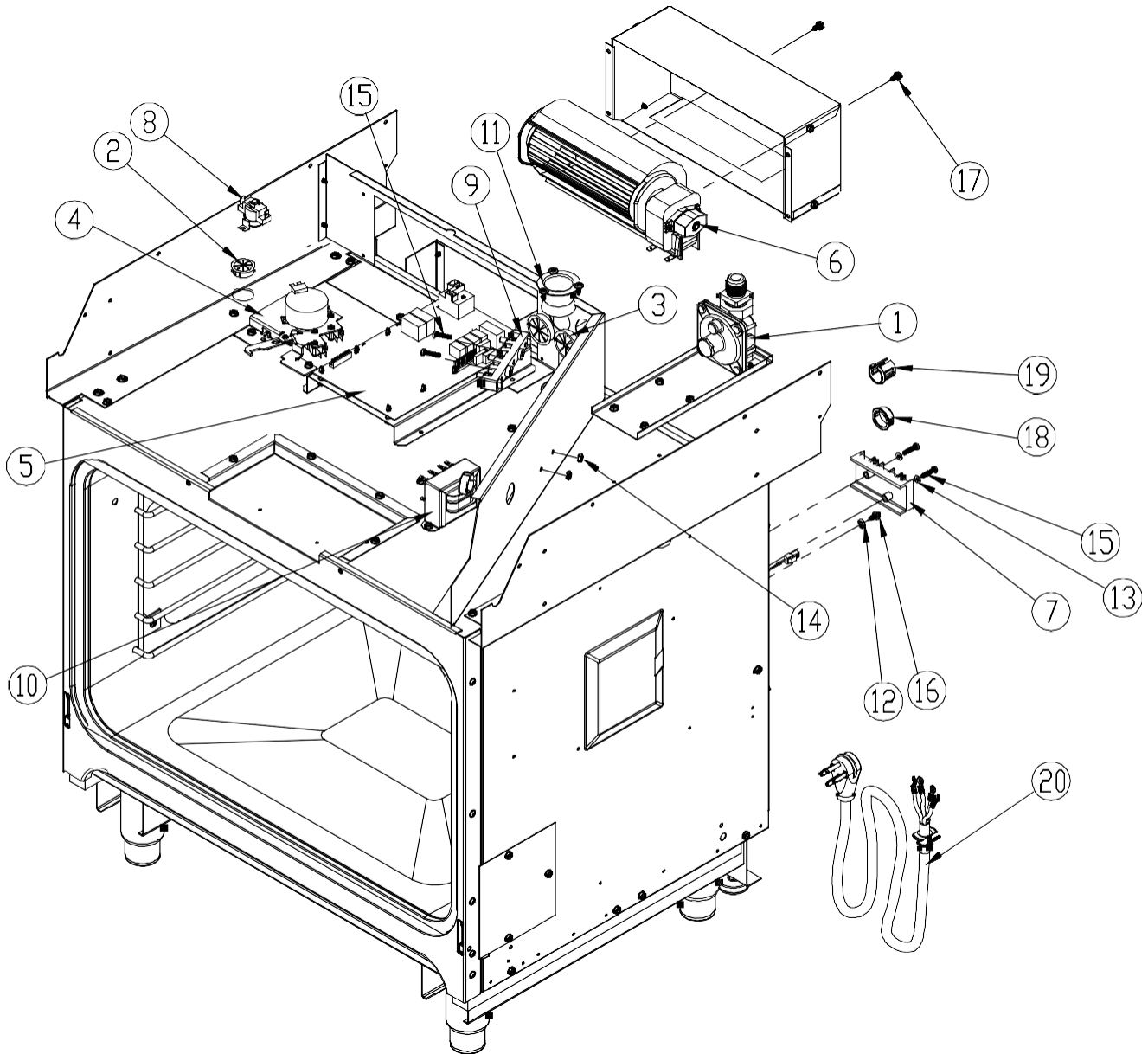
Item	NG Part #	LP Part #	NGH Part #	LPH Part #	Description
1	701235-01	701235-05	701235-03	701235-04	Assy, Burner/Support, 18k
2	701234-01	701234-02	701234-03	701234-04	Assy, Burner/Support, 15k
3	701233-01	701233-02	701233-03	701233-04	Assy, Burner/Support, 9.5k
4	103666	103666	103666	103666	Flex Tube, Cooktop, 5/16 CC
5	103553	103553	103553	103553	Gasket, Dual Burner, 18k
6	103552	103552	103552	103552	Gasket, Burner, 15k
7	103551	103551	103551	103551	Gasket, Burner, 9.5k
8	72634	72634	72634	72634	Re-Ingition Module
9	100910	100910	100910	100910	Insulation, Single Point Igniter
10	83533	83533	83533	83533	Washer, .88 OD x .165 ID
11	83023	83023	83023	83023	Screw, Slot HWH, #10 x 3/8"
12	83001	83001	83001	83001	Screw, Phil Pan HD, #8 x 1/4"
13	103554	103554	103554	103554	"O" Ring, Burner, 9.5k/15k
14	103763	103763	103763	103763	Set, Igniter Wire

DR30D Sub-Panel/Manifold Assembly



Item	NG Part #	LP Part #	NGH Part #	LPH Part #	Description
1	701286	701286	701286	701286	Stud, Sub-Panel
2	N/A	N/A	N/A	N/A	Spacer, Membrane
3	701284	701284	701284	701284	Assy, Membrane Panel
4	106736	106736	106736	106736	Display Module, Single
5	83189	83189	83189	83189	Spacer, .138 I.D. x .25 O.D.
6	83308	83308	83308	83308	Nut, Keps, 6-32
7	83080	83080	83080	83080	Washer, Nylon
8	701288-01	701288-02	701288-03	701288-04	Assy, Manifold w/ Valves
9	103688-01	103688-03	103688-05	106688-03	Valve, Single, Alum.
10	103689-01	103689-02	103689-03	103689-04	Valve, Dual, Brass
11	103688-02	103688-04	103688-06	103688-04	Valve, Single, Alum.
12	83138	83138	83138	83138	Tie, Cable
13	102063	102063	102063	102063	Main, Manifold Flex Tube
14	106724	106724	106724	106724	Wire Harness, Cooktop

DR30D Case Top Assembly

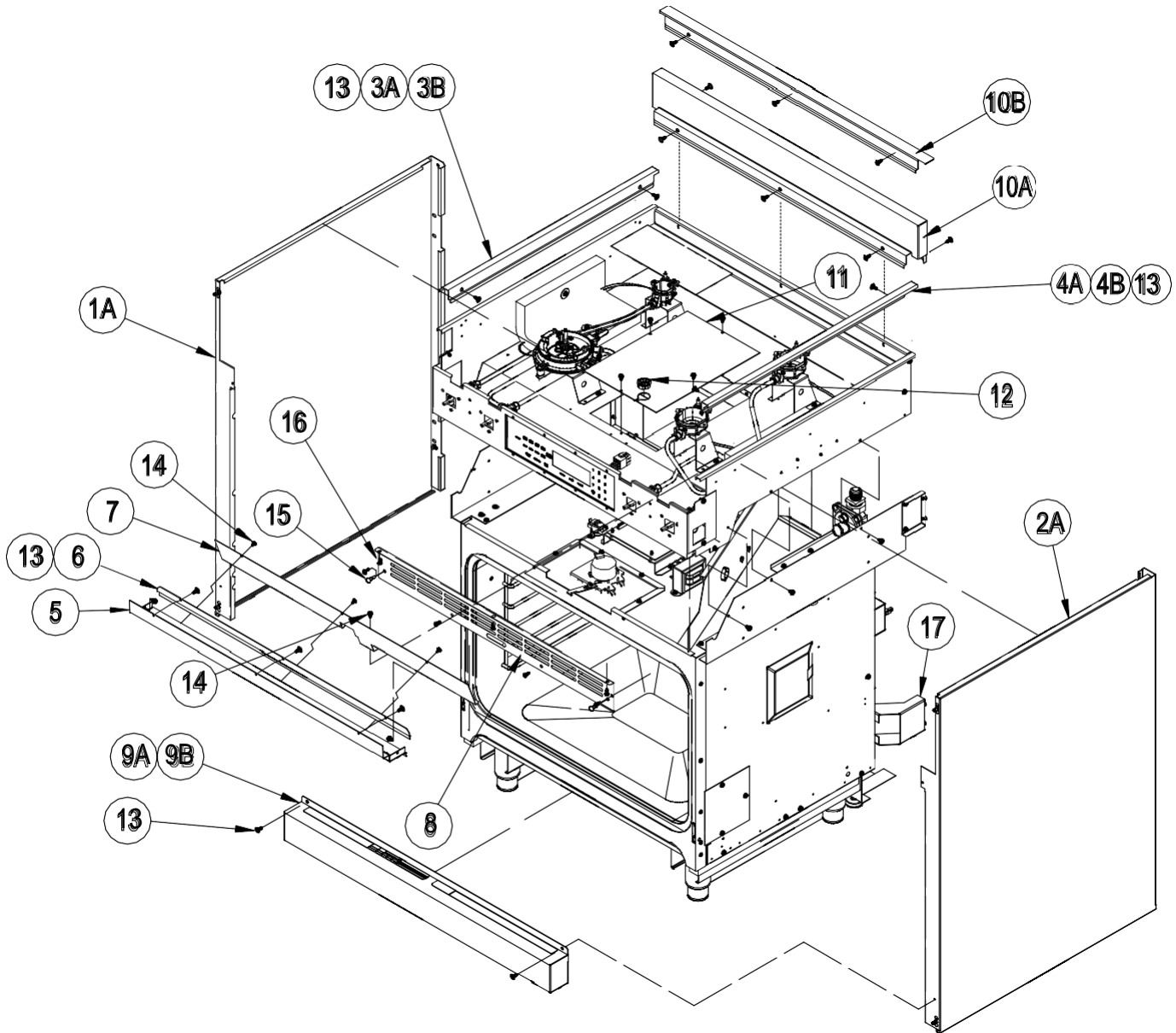


Item	Part #	Description
1	100653	Assy, Regulator, NG
1	100965	Assy, Regulator, LP
2	92191-02	Bushing, Split 1.00"
3	92191-03	Bushing, Split 1.375"
4	701191	Latch, Door, Motor Range
5	102377	Board, Relay
6	82347	Fan, Cooling
7	102384	Block, Terminal
8	82987	Thermal Switch, Hi-Temp Cutout
9	106723	Wire Harness, Main

Item	Part #	Description
10	62808	Transformer, 40VA
11	100682	Smoke Eliminator Top
12	102402	Cup Washer
13	83272	Flatwasher, #8, SS
14	83048	Nut, Hex, Keps #8-32
15	83408	Screw, Phil Pan, #8-32 x 3/4"
16	102403	Ground Screw #10
17	83023	Screw, Slot HWH, #10 x 3/8"
18	102429-01	Bushing, Snap, 1 1/8"
19	83523	Bushing, 3/8"
20	102554-01	Power Cord*

* Standard on model DR30D[I]-C, optional on all other models.

DR30D Outer Assembly

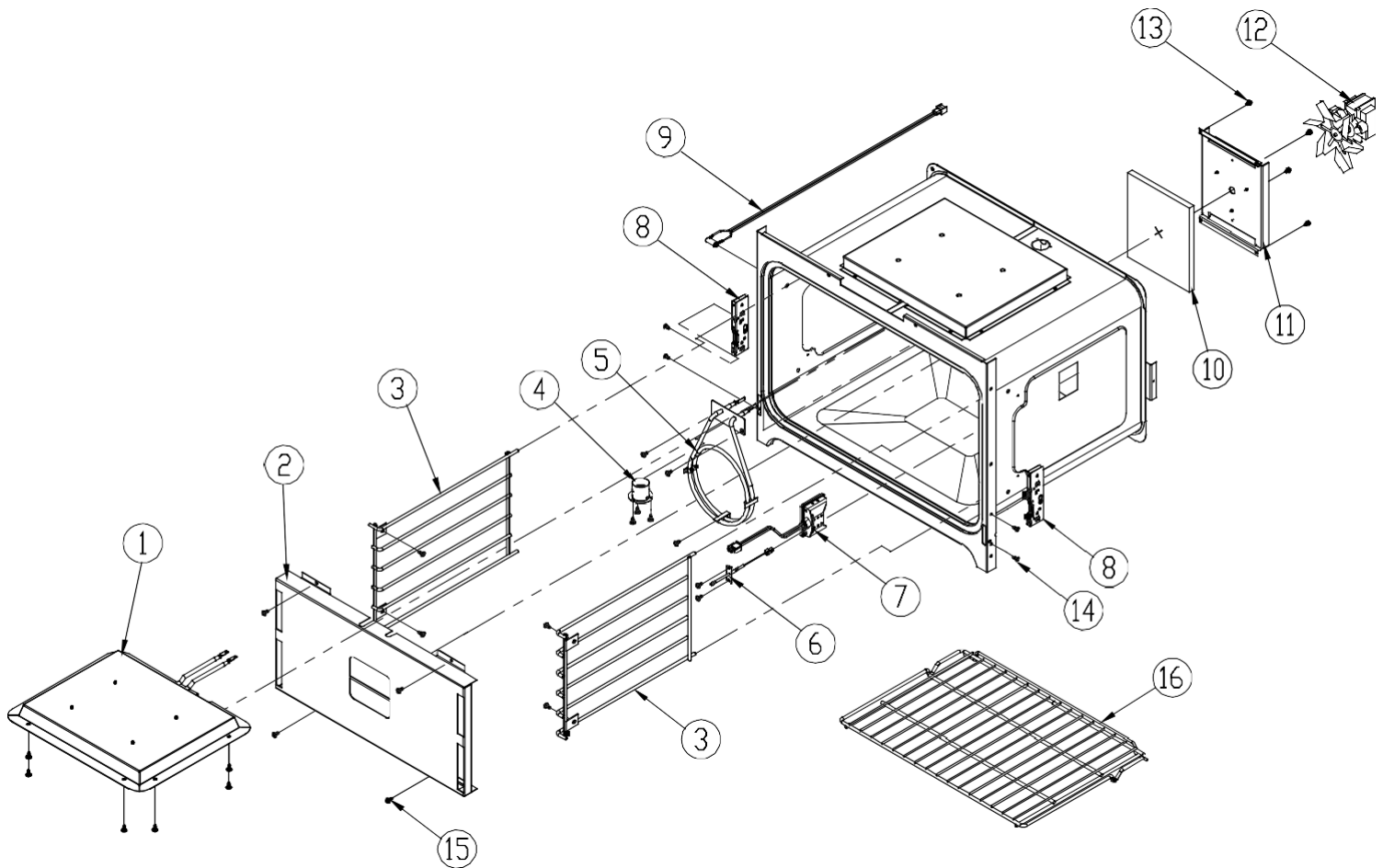


Item	Part #	Description
1A	701297-01	Full Size Side Panel, Left, DR30D
1B	701560-01	3" Side Panel, Left, DR30DI*
2A	701297-02	Full Size Side Panel, Right, DR30D
2B	701560-02	3" Side Panel, Right, DR30DI*
3A	701352-01	Side Trim, Left, DR30D
3B	701329-01	Side Trim, Left, DR30DI
4A	701352-02	Side Trim, Right, DR30D
4B	701329-02	Side Trim, Right, DR30DI
5	100975	Channel, Spill Tray Support
6	100973	Trim, Front
7	N/A	Shield, Front, Cooktop

* Not shown

Item	Part #	Description
8	106639B	Grill, Intake
9A	701299	Assy, Kick Panel, DR30D
9B	701569	Assy, Kick Panel, DR30DI
10A	701300-02	Assy, Backguard, 3", DR30D
10B	106788	Rear island Trim, DR30DI
11	N/A	Cover, Relay Board
12	92191-02	Bushing, Split 1"
13	83708	Screw, Trx Wfr HD, #8 x 1/2"
14	83023	Screw, Slot HWH, #10 x 3/8"
15	83618	Rubber Bumper
16	83709	Screw, Trx Wfr HD, #8 x 1/2"
17	102153	Low Side Support Bracket

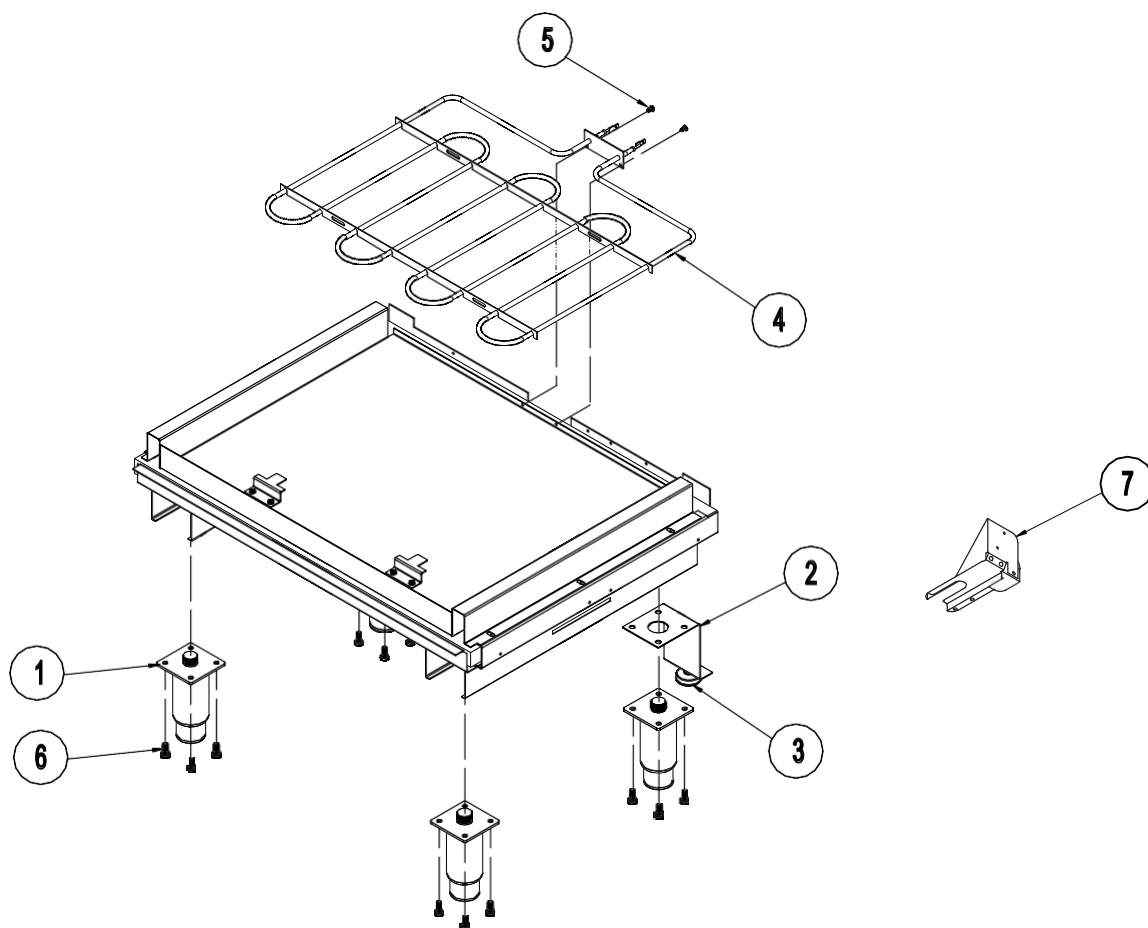
DR30D Cell Assembly



Item	Part #	Description
1	700713 ¹	Assy, Broil, 3100 ¹
2	106752BP	Baffle, Convection
3	82650 ²	Support, Rack ²
4	72755	Eliminator, Smoke
5	82377	Convection Element
6	72752	Sensor, Temperature
7	92398	Assy, Light, Halogen, 20 W
8	72348	Receptacle, Hinge
9	72717	Meat Probe Socket
¹ Includes Broil element, Reflective broil pan and 4 screws.		
² Use PN 105875 for Rev D of models DR30D and DR30D-C and Rev C of models DR30DI and DR30DI-C. All other units use PN 82650.		

Item	Part #	Description
10	80168	Insulation, Conv. Motor
11	36280	Mounting Plate
12	82647 ³	Convection Motor Kit ³
13	83023	Screw, Slot HWH, #10 x 3/8"
14	83709	Screw, Trx Wfr HD, #8 x 1/2"
15	83708	Screw, Wfr HD, #8 x 1/2"
16	103807	Oven Rack, Standard
	701598-02	Oven Rack, GlideRack™
-	100429	Bulb, Halogen, 20 W (not shown)
-	72723	Meat Probe (not shown)
³ Includes motor, fan blade, washer and nut.		

DR30D Base Assembly



Item	Part #	Description
1	700000	Leg, 1/2" Epicure *****Plastic insert, Leg 66813*****
2	27274	Bracket, Anti-Tip Foot
3	106440	Anti-tip foot
4	701611 ¹	Bake Element ¹
5	83505	Screw, Phil Pan HD, #8 x 3/8"
6	83397	Screw, Cap, 1/4-20 x 5/8"
7	105469-02	Anti-Tip Bracket
8	701555	Floor Anchor Kit, Anti-Tip Bracket (not shown)

¹ Must order kit # 701611. Includes bake element and replacement insulation.