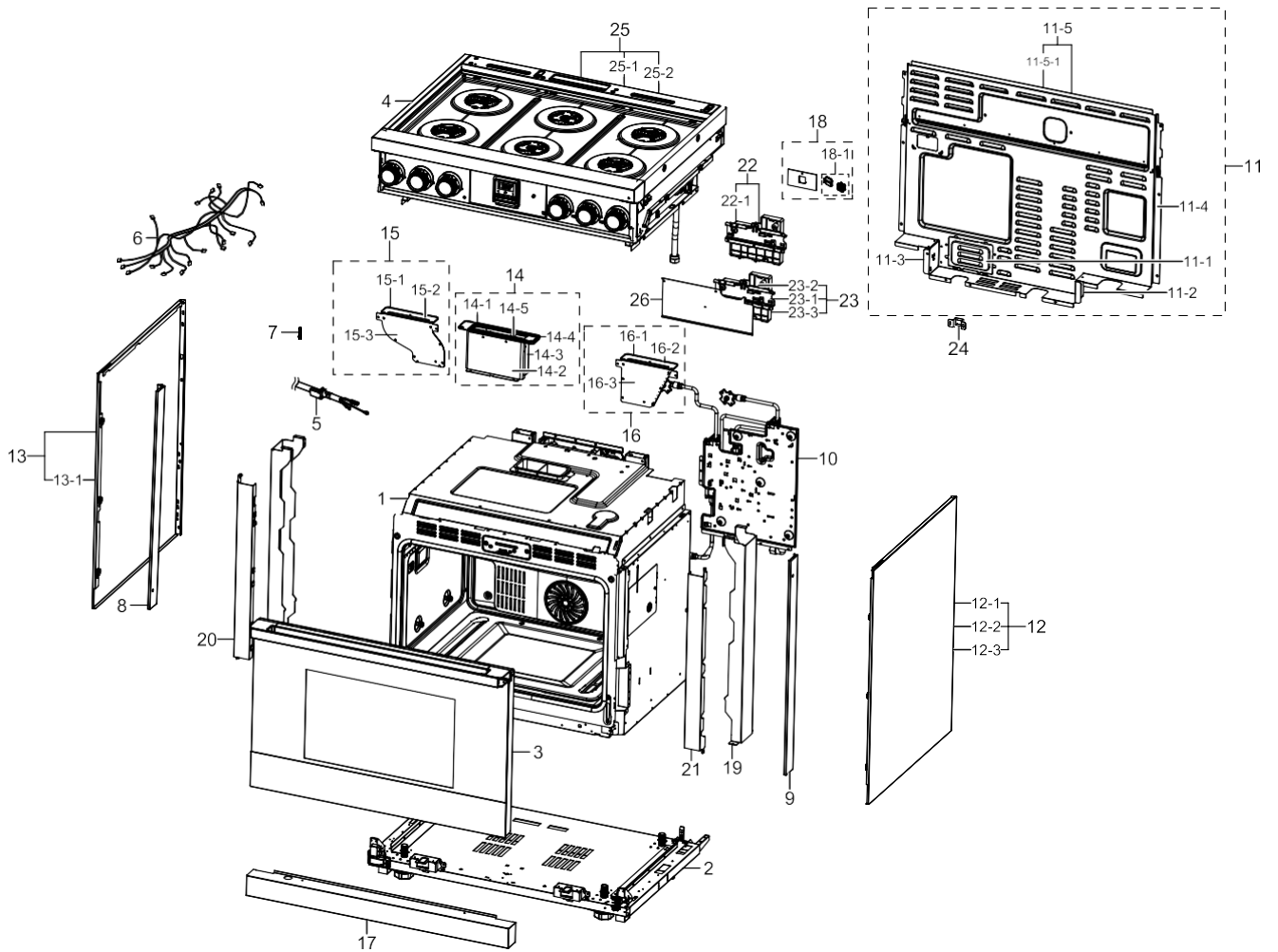


# 1. DOP36M96GLM/DA

## Exploded View



## Parts List

No.	Dacor Code	Description & Specification	SNA	Qty.
1		ASSY CAVITY ADIABATIC MAIN; NX9900N,5.8.C	SNA	1
2	114521	ASSY BASE BOTTOM; NX9900R,GIT1.2,DACOR,N	SA	1
3	114522	ASSY DOOR; NX9900R,BLACK STSS,36" PRO RAN	SA	1
4		ASSY COOKTOP; DOP36R9960PG,BLACK,DACOR,RA	SNA	1
5	114523	POWER CORD-AT; SJT 3x14AWG 105C,GRY,US3F-	SA	1
6	114524	ASSY WIRE HARNESS-MAIN; NX36R9966PS,120VA	SA	1
7	114525	HOLDER-CORD; NX9900R,PA66,T1.5,BLACK, W10	SA	1

Exploded Views and Parts List

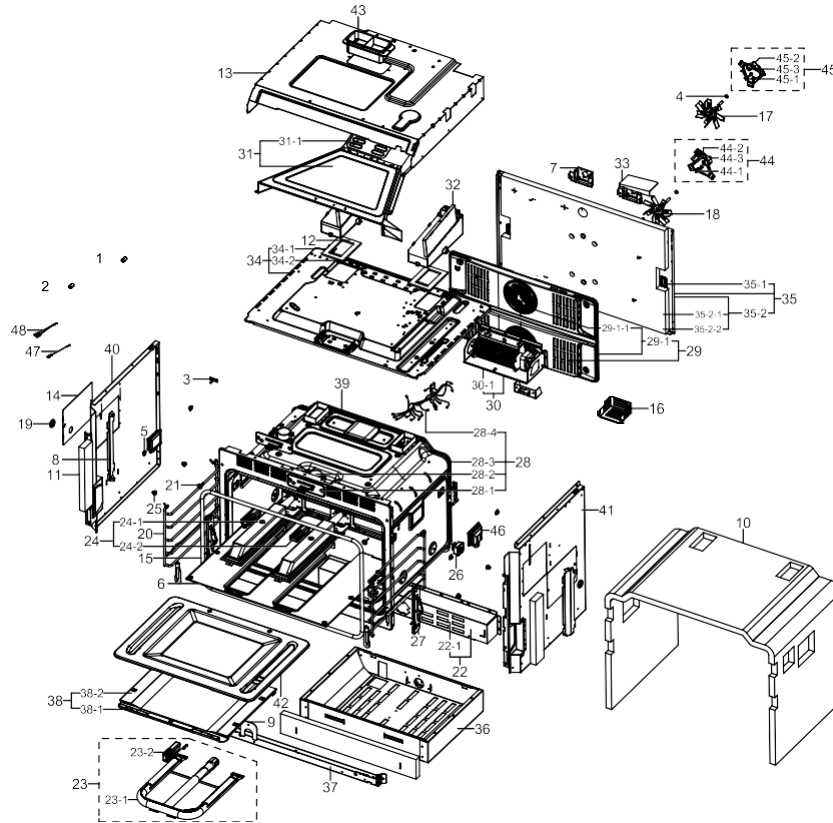
No.	Dacor Code	Description & Specification	SNA	Qty.
8		TRIM-SIDE LEFT; NX9900R PRO RANGE,AI,BLAC	SNA	1
9		TRIM-SIDE RIGHT; NX9900R PRO RANGE,AI,BLA	SNA	1
10		ASSY BRACKET PANEL; NX9900N,GI,T1.0,DACOR	SNA	1
11		ASSY COVER BACK; NX9900N, CHEF,GI-SGCC,T0	SNA	1
11-1	114546	BRACKET COVER-BOTTOM; NX9900N,GI-SGCC,T0.	SA	1
11-2	114733	SUPPORT-BACK LEFT; K-36PR,GI-SGCC,T0.8,W6	SA	1
11-3	114734	SUPPORT-BACK RIGHT; K-36PR,GI-SGCC,T0.8,W	SA	1
11-4	114735	COVER BACK; NX9000N,GI-SGCC,T0.8	SA	1
11-5	114547	ASSY BRACKET SUPPORTER; NX9900N,GI-SGCC,T	SA	1
11-5-1	114548	COVER BACK-UP; K-36PR,GI-SGCC,T0.8,NX9900	SA	1
12		ASSY PANEL OUTER-RIGHT; NX9900R,EGI-SECC,	SNA	1
12-1		ASSY PANEL OUTER-COATING; NX9900R,BLACK C	SNA	1
12-2	114736	ASSY BRACKET SUB; NX9900R,AL,T0.5,150 X 4	SA	2
12-3	114737	HOLDER SUPPORT-A; NX9900N,PBT,INNER BLACK	SA	3
13		ASSY PANEL OUTER-LEFT; NX9900R,EGI-SECC,T	SNA	1
13-1	114737	HOLDER SUPPORT-A; NX9900N,PBT,INNER BLACK	SA	3
14		ASSY DUCT; NX36N9960PS,36IN PRORANGE	SNA	1
14-1	114738	GASKET DUCT; NX36N9960PS,RUBBER,T1.5,36IN	SA	1
14-2	114739	DUCT-FRONT; NX58N9960PS,GI-SGCC,T0.8,L,NC	SA	1
14-3	114740	DUCT-REAR; NX58N9960PS,GI-SGCC,T0.8,W,L,N	SA	1
14-4	114741	DUCT-TOP; NX58N9960PS,GI-SGCC,T0.5,W275,L	SA	1
14-5	114552	WIRE-PROTECTOR; NX36N9966PS,STS304,D2,-,-	SA	1
15		ASSY GUIDE AIR-RIGHT; NX36N9960PS,ALCOAT,	SNA	1
15-1	114742	GUIDE AIR VENT-UP; NX58N9960PS,ALCOAT-SA1	SA	1
No.	Dacor Code	Description & Specification	SNA	Qty.

15-2	114743	GASKET; NX36R9960PS,RUBBER,T1.5,36IN PROR	SA	1
15-3	114744	ASSY GUIDE AIR-RIGHT; NX36N9966PS,SPP,36I	SA	1
16		ASSY GUIDE AIR-LEFT; NX36N9960PS,ALCOAT,3	SNA	1
16-1	114742	GUIDE AIR VENT-UP; NX58N9960PS,ALCOAT-SA1	SA	1
16-2	114743	GASKET; NX36R9960PS,RUBBER,T1.5,36IN PROR	SA	1
16-3	114745	ASSY GUIDE AIR-LEFT; NX36N9966PS,SPP,36IN	SA	1
17	114728	ASSY COVER PANEL; NX9900N,STS304,T1,DACOR	SA	1
18	114553	ASSY COVER PANEL; NX9900N,GI-SGCC,T0.8,AL	SA	1
18-1	111749	COVER WIRE; NW51K7650SS,PP,NATURAL,NW9000	SA	1
19	114554	ASSY BRACKET SUB; NX9900R,GI-SGCC,T1.6	SA	2
20		ASSY TRIM-LEFT; DOP36M96G DACOR,ENAMEL CO	SNA	1
21		ASSY TRIM-RIGHT; DOP36M96G DACOR,ENAMEL C	SNA	1
22	114746	ASSY HOLDER PCB; NX36R9966**,NX9900R,PCB	SA	1
22-1	114557	ASSY PCB MAIN; FM_WALL_MAIN_12,NX9900R,12	SA	1
23		ASSY HOLDER PCB; NX36R9966**,NX9900R,PCB	SNA	1
23-1	111195	ASSY MODULE; STD #8 SMPS,FOOD SHOWCASE,45	SA	1
23-2	112037	ASSY MODULE; ASSY NOISE FILTER,MODERN,KS_	SA	1
23-3	114747	HOLDER PCB-SUB; NX9900R,PBT,INNER BLACK,V	SA	1
24	114558	ASSY BRACKET-REAR; NX9900R,SPCC,T2.0,EDP	SA	1
25		ASSY FRAME; NX36R9966**,CHEF DACOR,FRAME	SNA	1
25-1	114560	RUBBER; NX36R9966**,SILICON RUBBER,T0.6,B	SA	2
25-2	114748	ASSY FRAME; NX36R9966P (CHEF DACOR),ASSY	SA	1
26	114561	ASSY BRACKET-REAR; NX36R9966PS,ASSY BARRI	SA	1



## 2. Assy Cavity

### Exploded View



### Parts List

No.	Dacor Code	Description & Specification	SNA	Qty.
1	111768	NUT-HEXAGON CAP; M4,NI PLT,SWRCH10A	SA	1
2	111769	NUT-HEXAGON CAP; M4,NI PLT,SWRCH10A,LEFT	SA	1
3	111804	SENSOR TEMP; 1Kohm	SA	1
4	111819	SPACER-FAN CONVECTION; BT63BSST,STKM11A,L	SA	2
5		BRACKET-HOLDER RACK; FLAT ALL MODEL,STS30	SNA	4
6		BRACKET BURNER-INFRARED; NX9900N,ALCOAT-S	SNA	2
7		HOLDER NOZZLE; NX9900N,GI-SGCC,T1.6	SNA	1
8	114481	BRACKET COVER; NX9900R,GI- SGCC,T0.6,W	SA	2
9		BRACKET BOTTOM; NX9900R,ALCOAT- SA1C,T1,W,	SNA	1

Exploded Views and Parts List

No.	Dacor Code	Description & Specification	SNA	Qty.
10		ADIABATIC-MAIN; GLASS WOOL,T25,W,L,40kg/m	SNA	1
11		ADIABATIC; GLASS WOOL,T25,W,L,ADIABATIC S	SNA	2
12		ADIABATIC VENT-SUB; GLASS WOOL,T6,W138.2,	SNA	2
13		COVER CASE-TOP; NX9900R,GI-SGCC,T0.8,DUAL	SNA	1
14		COVER LAMP; NX9900N,GI-SGCC,T0.6	SNA	2
15	114483	GASKET DOOR; NX9900N,GLASS FIBER,T12,W,L2	SA	1
16	114484	COVER HEATER-BAKE; NX9900R GAS MODEL,GI-S	SA	1
17	114485	FAN CONVECTION-UP; BT62FQBPST,ALCOAT-SA1C	SA	1
18	114486	FAN CONVECTION-LOW; BT62FQBPST,ALCOAT-SA1	SA	1
19		RUBBER RING; DOP48M976DM,SILICON RUBBER,N	SNA	2
20	114487	RACK WIRE SUPPORT; NX9900N,K36 PRO,STS304	SA	2
21		RUBBER-CUSHION; FTQ386LWUX,SI,T0.6,50,BLA	SNA	2
22		ASSY COVER REAR; NX9900N,GI SGCC,GAS MODE	SNA	1
22-1	114488	COVER WIRE-HEATER; NX9900N,GI-SGCC,T0.6	SA	2
23	114489	ASSY BURNER; NX9900N,BAKE BURNER	SA	1
23-1	114490	BURNER; NX36R9966,STS409,U Bake Burner, 2	SA	1
23-2	114491	ASSY-HOT SURFACE IGNITER; FX710BGS/XAA,V1	SA	2
24		ASSY BURNER; NX9900R,BURNER BROIL,36" PRO	SNA	2
24-1	114492	BURNER; NX9900N,ALCOAT-SA1C,INFRARED	SA	2
24-2	114491	ASSY-HOT SURFACE IGNITER; FX710BGS/XAA,V1	SA	1
25	111900	HOLDER RACK; STS304	SA	4
26	111901	ASSY-PROBE; BQ2Q7G269/EUR,MEAT PROBE	SA	1
27	111904	ASSY SUPPORT HINGE; NE59J7850WS,Damper- 2	SA	2
28		ASSY BODY LATCH SUB; NX9900R,36"PRO RANGE	SNA	1
28-1	111775	THERMOSTAT; AC125/250V,15/10A,150C,0C,S.O	SA	1

No.	Dacor Code	Description & Specification	SNA	Qty.
28-2	111872	LATCH DOOR; NW53K5510SD,STS430,WALL OVEN	SA	1
28-3	114749	BRACKET GUIDE-LOW; NX9900R,GI-SGCC,T0.8,W	SA	1
28-4	114494	ASSY WIRE HARNESS-POWER; NX36R9966PS,120V	SA	1
29	114495	ASSY COVER CASING; 36IN PRORANGE,DACOR, A	SA	1
29-1	114496	ASSY COVER CASING; 36IN PRORANGE,DACOR, C	SA	1
29-1-1	114497	ASSY COVER CASING; 36IN PRORANGE,DACOR, W	SA	1
30	114498	ASSY BRACKET MOTOR; 36IN PRORNAGE,GI-SGCC	SA	1
30-1	114499	MOTOR AC FAN-BLOWER; SMB-U485E,2Pole,120V	SA	1
31		ASSY GUIDE AIR; NX36N9960PS,GI-SGCC,GAS	SNA	1
31-1	114500	GUIDE AIR-REAR; NX36N9966PS,GI-SGCC,T0.8,	SA	1
32		ASSY VENT ADIABATIC; NX36N9960PS,36IN PRO	SNA	2
33	114501	ASSY HOLDER NOZZLE; NX9900N,DACOR, LEFT S	SA	1
34		ASSY COVER ADIABATIC-TOP; NX9900N,GI SGCC	SNA	1
34-1	111775	THERMOSTAT; AC125/250V,15/10A,150C,0C,S.O	SA	1
34-2	111779	BRACKET-TCO; EGI-SECC,T0.6	SA	1
35		ASSY COVER BACK-MAIN; NX9900N,GI SGCC,T0.	SNA	1
35-1	114488	COVER WIRE-HEATER; NX9900N,GI-SGCC,T0.6	SA	3
35-2	114503	ASSY COVER ADIABATIC-REAR; NX9900N,GI SGC	SA	1
35-2-1		BRACKET PCB; NX9900N,GI-SGCC,T0.8,W,L	SNA	3
35-2-2	114505	COVER ADIABATIC-REAR; NX9900N,GI-SGCC,T0.	SA	1
36		ASSY BRACKET BAKE; NX9900N,ALCOAT,GAS MOD	SNA	1
37		ASSY BRACKET SUPPORTER; NX9900N,GI SGCC,T	SNA	1
38		ASSY BRACKET-BASE; NX9900N,ALCOAT,T1.2,GA	SNA	1
38-1		BRACKET-BAKE SPREADER; NX9900N,ALCOAT-SA1	SNA	1

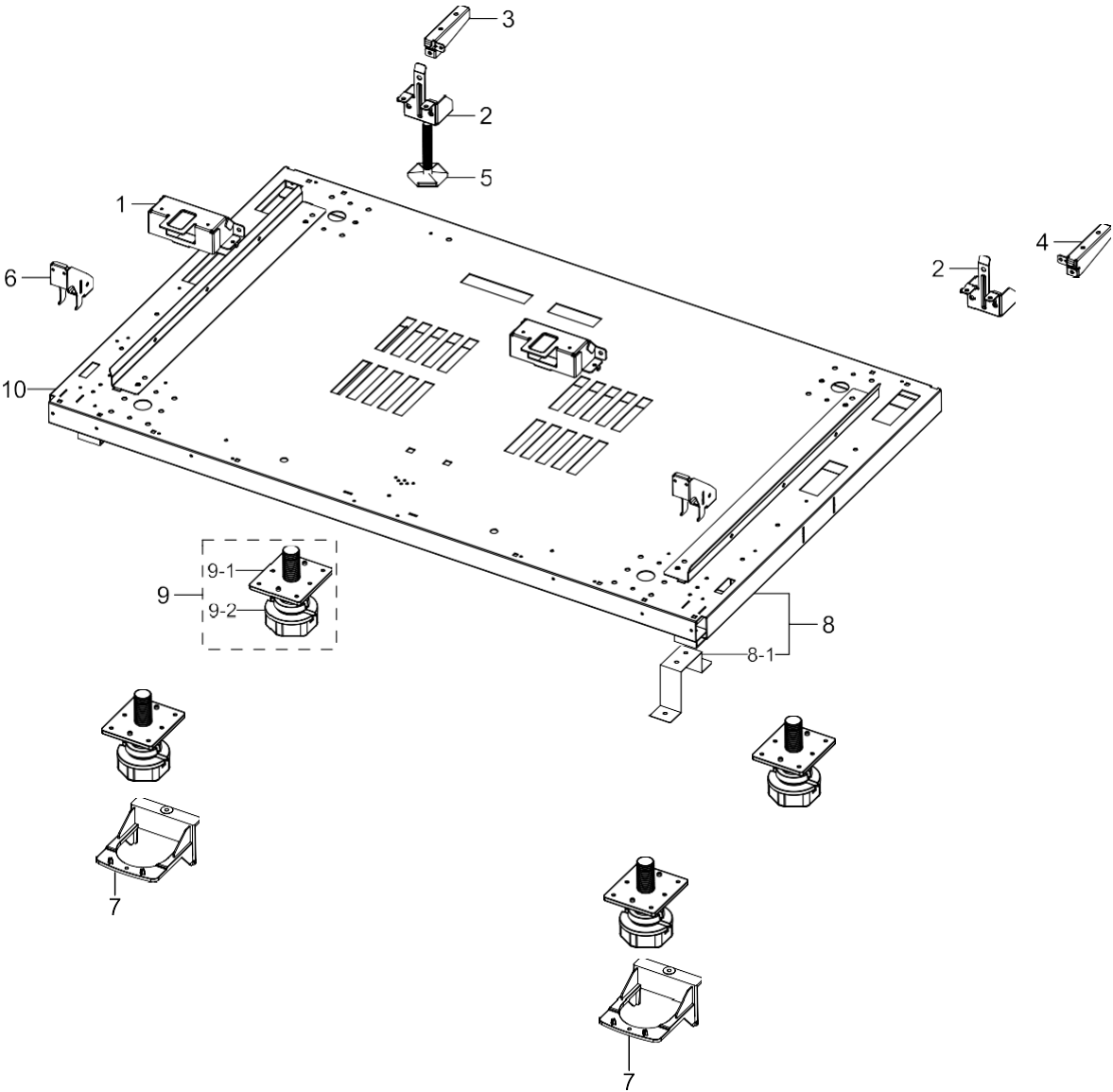
Exploded Views and Parts List

No.	Dacor Code	Description & Specification	SNA	Qty.
38-2		BRACKET PANEL-BOTTOM; NX9900R,ALCOAT-SA1C	SNA	1
39		ASSY CAVITY-COATING; NX9900N,5.8.Cu.ft,EN	SNA	1
40	114508	ASSY COVER ADIABATIC-LEFT; NX9900N,GI SGC	SA	1
41	114509	ASSY COVER ADIABATIC-RIGHT; NX9900N,GI SG	SA	1
42		ASSY CAVITY-SUB; NX9900N,5.8.Cu.ft,ENAMEL	SNA	1
43	114510	ASSY DUCT AIR; NX36N9960PS,36IN PRORANGE	SNA	1
44	114511	ASSY MOTOR CONVECTION; NX36R9966**,1300 R	SA	1
44-1	111777	NUT FLANGE; MSWR-SWRM,MSWR10	SA	1
44-2	111798	MOTOR AC CONVECTION; 30" OVEN,SMC-U386E,2	SA	1
44-3	111873	CAP-MOTOR CONVECTION; BT62FQBPST,GI-SGCC,	SA	1
45	114512	ASSY MOTOR CONVECTION; NX36R9966**,1300 R	SA	1
45-1	111777	NUT FLANGE; MSWR-SWRM,MSWR10	SA	1
45-2	114238	MOTOR AC CONVECTION; 30" OVEN,SMC-U386F,2	SA	1
45-3	111873	CAP-MOTOR CONVECTION; BT62FQBPST,GI-SGCC,	SA	1
46	114750	ASSY LAMP-HALOGEN; NX9900N,613103,120V 40	SA	2
47	111981	ASSY WIRE HARNESS-EARTH; NV9900J,Sensor p	SA	1
48	113319	ASSY WIRE HARNESS-EARTH; NV9900J,Halogen	SA	2



# 3. Assy Base Bottom

## Exploded View

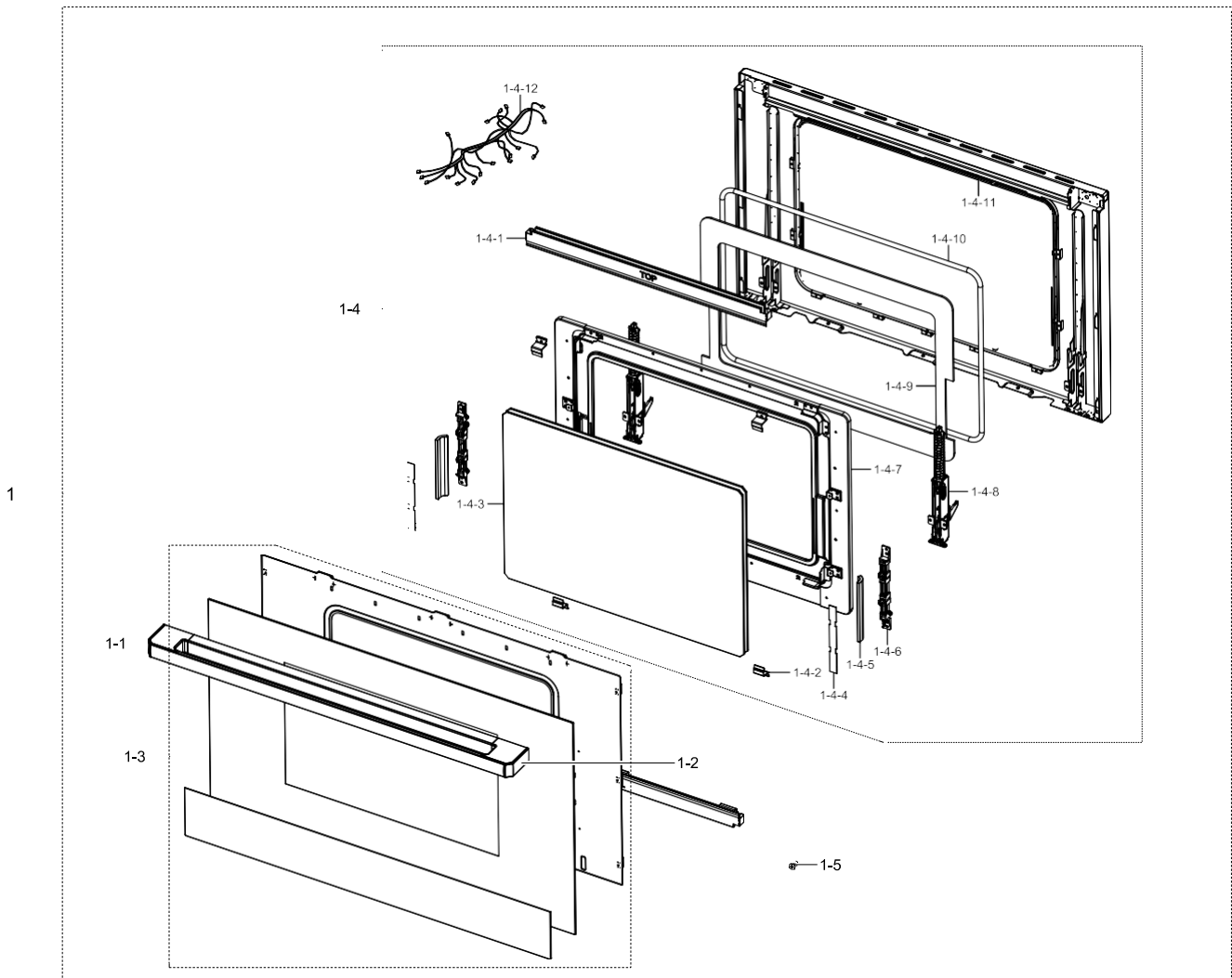


### Parts List

No.	Dacor Code	Description & Specification	SNA	Qty.
1		SUPPORT FRAME-BOTTOM; NX9900N,GI-SGCC,T1.	SNA	2
2		BRACKET STOPPER; NX9900N,GI-SGCC,T1.6,W46	SNA	2
3		BRACKET BOTTOM-LEFT; NX9900N,GI-SGCC,T1.6	SNA	1
4		BRACKET BOTTOM-RIGHT; NX9900N,GI-SGCC,T1.	SNA	1
5	114562	LEG; NX9900N,PA66,INNER BLACK,36" PRO RAN	SA	1
6		BRACKET BOTTOM; NX9900N PRO RANGE,GI-SGCC	SNA	2
7		COVER-LEG; K-36PR,ABS+PC,HB,NATURAL	SNA	2
8		ASSY BASE BOTTOM; NX9900R,GI-SGCC,36" PRO	SNA	1
8-1	114563	BRACKET GUIDE-UP; NX9900N,GI-SGCC,T2,W580	SA	2
9		ASSY FOOT; NX36N9966P,ASSY FOOT	SNA	4
9-1	114565	HOLDER-BOTTOM; NX9900N,ZNDC,NATURAL,36" P	SA	4
9-2	114566	LEG LEVELING; NX9900N,PA66,BLACK,36" PRO	SA	4
10	111999	ASSY WIRE HARNESS-SUB; NV51K7770D*,12V,12	SA	1

## 4. Assy Door

### Exploded View



### Parts List

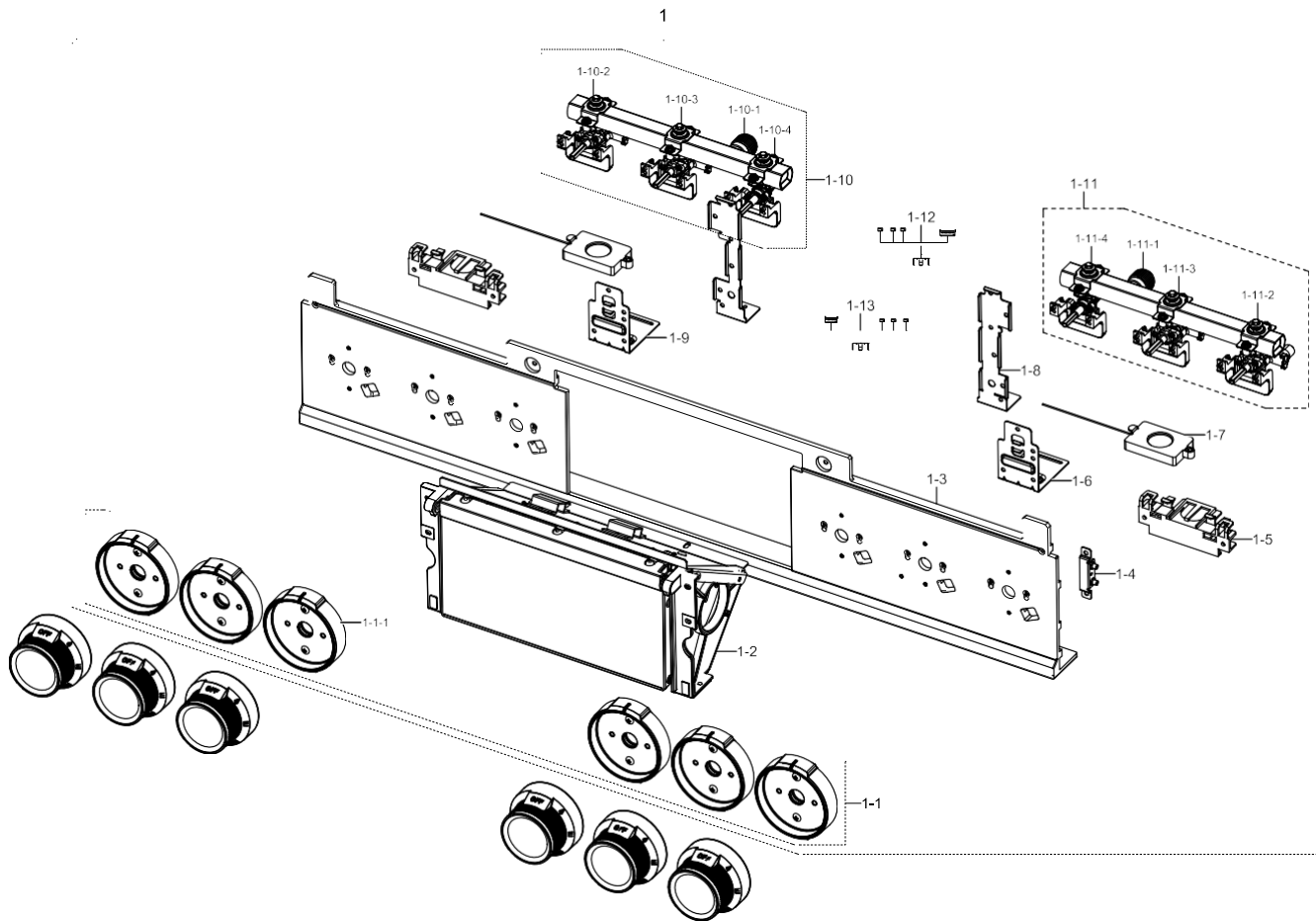
No.	Dacor Code	Description & Specification	SNA	Qty.
1	114522	ASSY DOOR; NX9900R,BLACK STSS,36" PRO RAN	SA	1
1-1		ASSY HANDLE; DOPA30M9CSM,AL,BLACK,36" DOO	SNA	1
1-2	111880	CAP HANDLE; DOB30M977SM,AI,BLACK,NW9900M	SA	2
1-3		ASSY DOOR SUB; NX9900R,BLACK STSS,36" PRO	SNA	1
1-4		ASSY DOOR E; NX9900R,36" PRO RANGE DACOR	SNA	1
1-4-1		COVER GLASS; DOB30M977DS,AI,T0.5,MODERN W	SNA	2

Exploded Views and Parts List

No.	Dacor Code	Description & Specification	SNA	Qty.
1-4-2		HOLDER SPRING; DOB30M977DS,STS301,T0.5,MO	SNA	4
1-4-3		GLASS-MIDDLE; DOB30M977DS,GLASS,T4,W581.0	SNA	2
1-4-4	114242	ASSY LAMP LED; 9,FR-4,17*170*1.6T,WHITE,2	SA	2
1-4-5		GLASS-LIGHTING; DOB30M977DS,GLASS,T6,MODE	SNA	2
1-4-6	114206	HOLDER LED; NV51K6650DS,PPS,BLACK,GF40%,V	SA	2
1-4-7		ASSY BAFFLE DOOR; NX9900R,ALCOAT	SNA	1
1-4-8		ASSY HINGE; DOPA30M9CS*,36" DOOR	SNA	2
1-4-9		GLASS-SUB; DOB30M977DS,GLASS,T4,W611.2,L4	SNA	1
1-4-10		GASKET DOOR; DOB30M977DS,GLASS FIBER,DARK	SNA	1
1-4-11		ASSY DOOR E-COATING; NX9900R,BLACK,36" PR	SNA	1
1-4-12	112463	ASSY WIRE HARNESS-DC SIGNAL; NV51K7770D*,	SA	1
1-5	111776	SCREW MACHINE; FH,+,NO,M5,L12,ZPC(BLK),SW	SA	2

## 5. Assy Control Box

### Exploded View



### Parts List

No.	Dacor Code	Description & Specification	SNA	Qty.
1		ASSY CONTROL BOX; NX9900R,BLACK,AL Extrud	SNA	1
1-1		ASSY HOLDER-KNOB; NX9900R,36" PRO RANGE D	SNA	6
1-1-1	114605	ASSY MODULE; Dacor Prorange 6 LED Backlig	SA	6
1-2		ASSY CONTROL; NX9900R,36" PRO RANGE DACOR	SNA	1
1-3		PANEL CONTROL; NX9900R,Al,W895,L184.6,36"	SNA	1
1-4		ASSY BRACKET GUIDE; NX9900R,SGCC,T1.2	SNA	2
1-5		HOLDER; NX9900N,PBT+GF,INNER BLACK,V-0,36	SNA	2
1-6		BRACKET COVER-BOTTOM; NX9900,GI-SGCC,T1.2	SNA	2
1-7	111696	SPEAKER; 82dB,500,60.5*40.0*10.5,2W	SNA	2

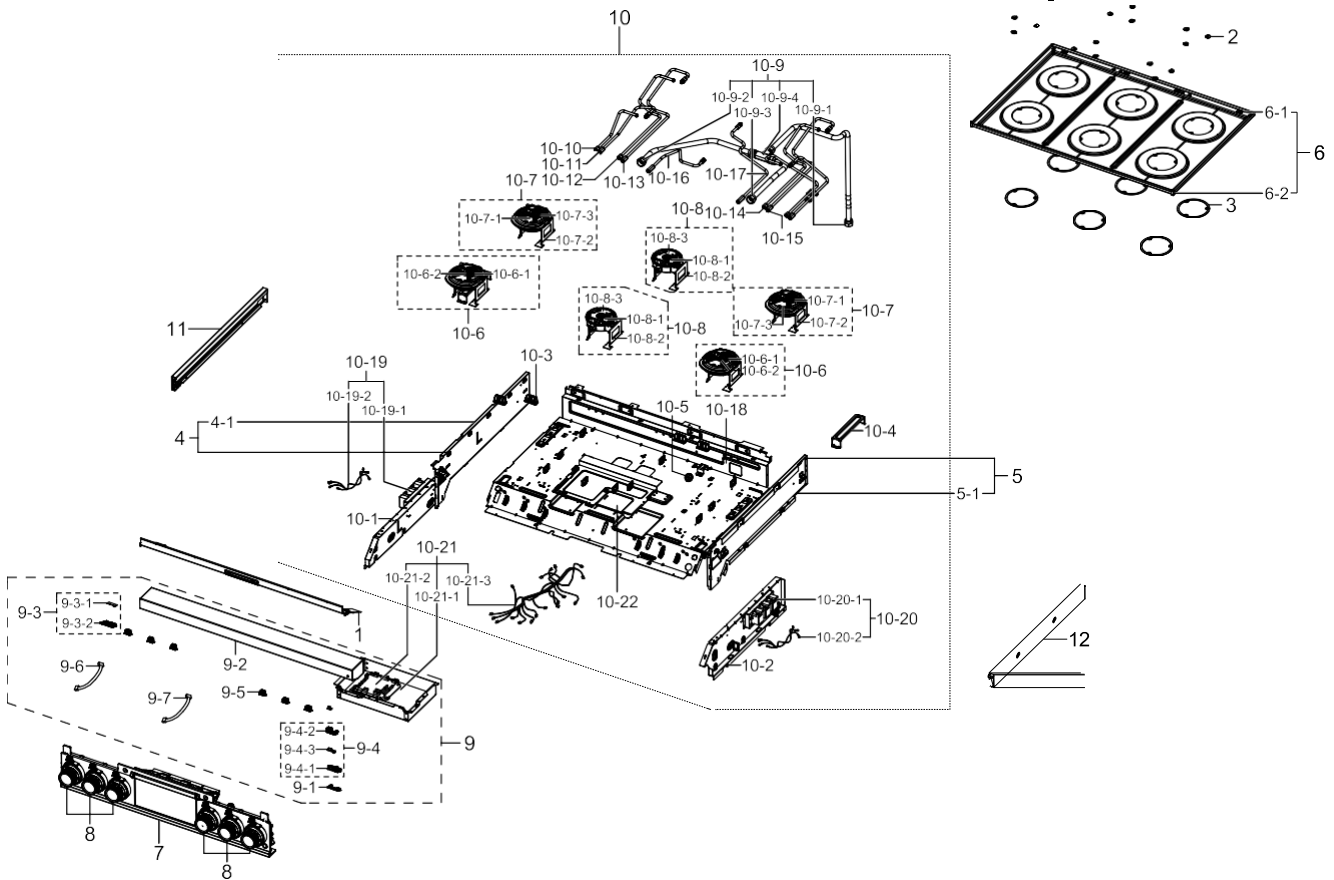
Exploded Views and Parts List

No.	Dacor Code	Description & Specification	SNA	Qty.
1-8		BRACKET CONTROL-LEFT; NX9900N,GI-SGCC,T1.	SNA	1
1-9		BRACKET CONTROL-RIGHT; NX9900N,GI-SGCC,T1	SNA	1
1-10	114751	ASSY VALVE MANIFOLD; NX36N9960PS,ASSY MAN	SA	1
1-10-1		ASSY VALVE MANIFOLD; NX36N9960PS,MANIFOLD	SNA	1
1-10-2		ASSY VALVE; NX36N9960PS,SINGLE POWER,-	SNA	1
1-10-3		ASSY VALVE; NX36N9960PS,DUAL POWER,-	SNA	2
1-10-4		ASSY SWITCH IGNITION; NX36R9966PS,36ProRa	SNA	1
1-11	114727	ASSY VALVE MANIFOLD; NX36N9960PS,ASSY MAN	SA	1
1-11-1		ASSY VALVE MANIFOLD; NX36N9960PS,MANIFOLD	SNA	1
1-11-2		ASSY VALVE; NX36N9960PS,SINGLE POWER,-	SNA	1
1-11-3		ASSY VALVE; NX36N9960PS,DUAL POWER,-	SNA	2
1-11-4		ASSY SWITCH IGNITION; NX36R9966PS,36 ProR	SNA	1
1-12	114617	ASSY WIRE HARNESS-COOKTOP; DOP36R96GLM,12	SA	1
1-13	114618	ASSY WIRE HARNESS-COOKTOP; DOP36R96GLM,12	SA	1



# 6. Assy CookTop

## Exploded View



## Parts List

No.	Dacor Code	Description & Specification	SNA	Qty.
1		BRACKET COOK TOP; NX9900,GI-SGCC,T1.2,W32	SNA	1
2		COVER TOP-FRAME; NX9900R,STS304,T0.8	SNA	18
3	114567	GASKET; NX9900R,GLASS FIBER,T1,36PRORANE,	SA	6
4	114752	ASSY CASE BURNER; NX36N9960PS,ASSY CASE B	SA	1
4-1		CASE BURNER-LEFT; NX9900,GI-SGCC,T1,L870	SNA	1
5	114753	ASSY CASE BURNER; NX36N9960PS,ASSY CASE B	SA	1
5-1		CASE BURNER-RIGHT; NX9900,GI-SGCC,T1,L870	SNA	1
6	114570	ASSY FRAME COOK TOP; NX36N9960PS,36IN PRO	SA	1



No.	Dacor Code	Description & Specification	SNA	Qty.
6-1	110223	RUBBER-GRIDDLE; DOP48M976DM,SILICON RUBBE	SA	4
6-2	114754	RUBBER DAMPER; NX9900R,SILICON RUBBER,17.	SA	2
7		ASSY CONTROL BOX; NX9900R,BLACK,AL Extrud	SNA	1
8	114574	ASSY KNOB; NX9900R,BLACK,36" PRO RANGE DA	SA	6
9		ASSY FRAME; NX9900R,36" PRO RANGE DACOR B	SNA	1
9-1	110591	COVER LAMP; DOP48M976DM,ABS+PC,BLACK,NY99	SA	1
9-2		CHASSIS PANEL-UP; NX9900N,STS304,T1.2,W91	SNA	1
9-3	110626	ASSY HOLDER PCB; DOP48M96DLM,PRORNAGE,ASS	SA	1
9-3-1	111762	BLUETOOTH MODULE; SBT-CY71/CT,IEEE802.15,	SA	1
9-3-2		COVER PCB-BLUETOOTH; DOP48M976DM,ABS+PC,B	SNA	1
9-4	110629	ASSY HOLDER PCB; DTT48M976LM,RANGE TOP,WI	SA	1
9-4-1		HOLDER BUTTON; DOP48M976DM,PBT+GF,BLACK,N	SNA	1
9-4-2		HOLDER LED-TOP; DOP48M976DM,PBT+GF,BLACK,	SNA	1
9-4-3		INDICATOR-WIFI; DOP48M976DM,PMMA,WHITE,LD	SNA	1
9-5	110630	ASSY HOLDER PCB; DOP48M96DLM,PRORANGE,SHO	SA	6
9-6	114575	ASSY WIRE HARNESS-DC SIGNAL; DOP36R96GLM,	SA	1
9-7	114576	ASSY WIRE HARNESS-DC SIGNAL; DOP36R96GLM,	SA	1
10		ASSY COOKTOP SUB; DACOR 36"	SNA	1
10-1		SUPPORT FRAME-LEFT; NX9900,GI-SGCC,T1.2,W	SNA	1
10-2		SUPPORT FRAME-RIGHT; NX9900,GI-SGCC,T1.2,	SNA	1
10-3		HOLDER TUBE-A; PRO RANGE,PBT+GF,T1.2,INNE	SNA	6
10-4		COVER CONNECTOR; Pro Range,GI-SGCC,T0.6,P	SNA	2
10-5		RUBBER RING; DOP48M976DM,SILICON RUBBER,N	SNA	2
10-6	114577	ASSY BURNER; NX36N9960PS,DUAL(22K)	SA	2

Exploded Views and Parts List

No.	Dacor Code	Description & Specification	SNA	Qty.
10-6-1	111821	HOLDER; NX58F5700WS,BRASS,-,HOLDER ELECTR	SA	4
10-6-2		SPRING ETC; NX58F5700WS,STAINLESS-STS301,	SNA	4
10-7	114578	ASSY BURNER; DOP36M96GL (DACOR),DUAL 18K	SA	2
10-7-1	111821	HOLDER; NX58F5700WS,BRASS,-,HOLDER ELECTR	SA	4
10-7-2		BRACKET BURNER; NX9900N,GI-SGCC,T1,W253,L	SNA	2
10-7-3	114580	BURNER CUP DUAL; NX58F5700WS,ALDC12,DOUBL	SA	2
10-8	114581	ASSY BURNER; DOP36M96GL (DACOR),SINGLE 18	SA	2
10-8-1	114582	BRACKET SPRING; FX710BGS,STAINLESS-STS301	SA	2
10-8-2		BRACKET BURNER; NX9900N,GI-SGCC,T1,W253,L	SNA	2
10-8-3	114583	BURNER CUP DUAL; FX710BGS,ALDC12,Double-r	SA	2
10-9	114584	ASSY TUBE MANIFOLD; NX36N9960PS,36IN PROR	SA	1
10-9-1		ASSY TUBE-RIGHT FRONT; NX36N9960PS,495mm,	SNA	1
10-9-2		ASSY TUBE-LEFT REAR; NX36N9960PS,330mm,Fl	SNA	1
10-9-3		ASSY TUBE-RIGHT REAR; NX36N9960PS,835mm,F	SNA	1
10-9-4		ASSY HOLDER; NX36N9960PS,T-PIPE,Flexible,	SNA	1
10-10	114589	ASSY TUBE; NX36N9960PS,ASSY TUBE LF BIG,A	SA	1
10-11	114590	ASSY TUBE; NX36N9960PS,ASSY TUBE LF SMALL	SA	1
10-12	114591	ASSY TUBE; NX36N9960PS,ASSY TUBE ,RR, LR	SA	2
10-13	114592	ASSY TUBE; NX36N9960PS,ASSY TUBE RR, LR S	SA	2
10-14	114593	ASSY TUBE; NX36N9960PS,ASSY TUBE RF BIG,A	SA	1
10-15	114594	ASSY TUBE; NX36N9960PS,ASSY TUBE RF SMALL	SA	1
10-16	114595	ASSY TUBE; NX36N9960PS,ASSY TUBE CF,AL Tu	SA	1
10-17	114596	ASSY TUBE; NX36N9960PS,ASSY TUBE CR,AL Tu	SA	1
10-18	114558	ASSY BRACKET-REAR; NX9900R,SPCC,T2.0,EDP	SA	2

No.	Dacor Code	Description & Specification	SNA	Qty.
10-19		ASSY MODULE SPARK; NX9900R,36" PRO RANGE,	SNA	1
10-19-1	112533	ASSY MODULE SPARK; DTG30M954F*,DTG36M955F	SA	2
10-19-2	114597	ASSY WIRE HARNESS-POWER; NX36R9966PS,120V	SA	2
10-20		ASSY MODULE SPARK; NX9900R,36" PRO RANGE,	SNA	1
10-20-1	112533	ASSY MODULE SPARK; DTG30M954F*,DTG36M955F	SA	2
10-20-2	114597	ASSY WIRE HARNESS-POWER; NX36R9966PS,120V	SA	2
10-21		ASSY BRACKET PANEL; DOP36M96GL (DACOR)	SNA	1
10-21-1	114599	BRACKET PCB; NX9900,GI-SGCC,T0.8,W473.8,L	SA	1
10-21-2	114600	ASSY MODULE; PRORANGE CONTROL MODULE,NX99	SA	1
10-21-3	114601	ASSY WIRE HARNESS-COOKTOP; DOP36R96GLM,12	SA	1
10-22	114602	ASSY COVER; NX36R9966*	SA	1
11		ASSY FRAME; NX36N9960PS,LEFT , 36IN PRORA	SNA	1
12		ASSY FRAME; NX36N9960PS,RIGTH , 36IN PROR	SNA	1