



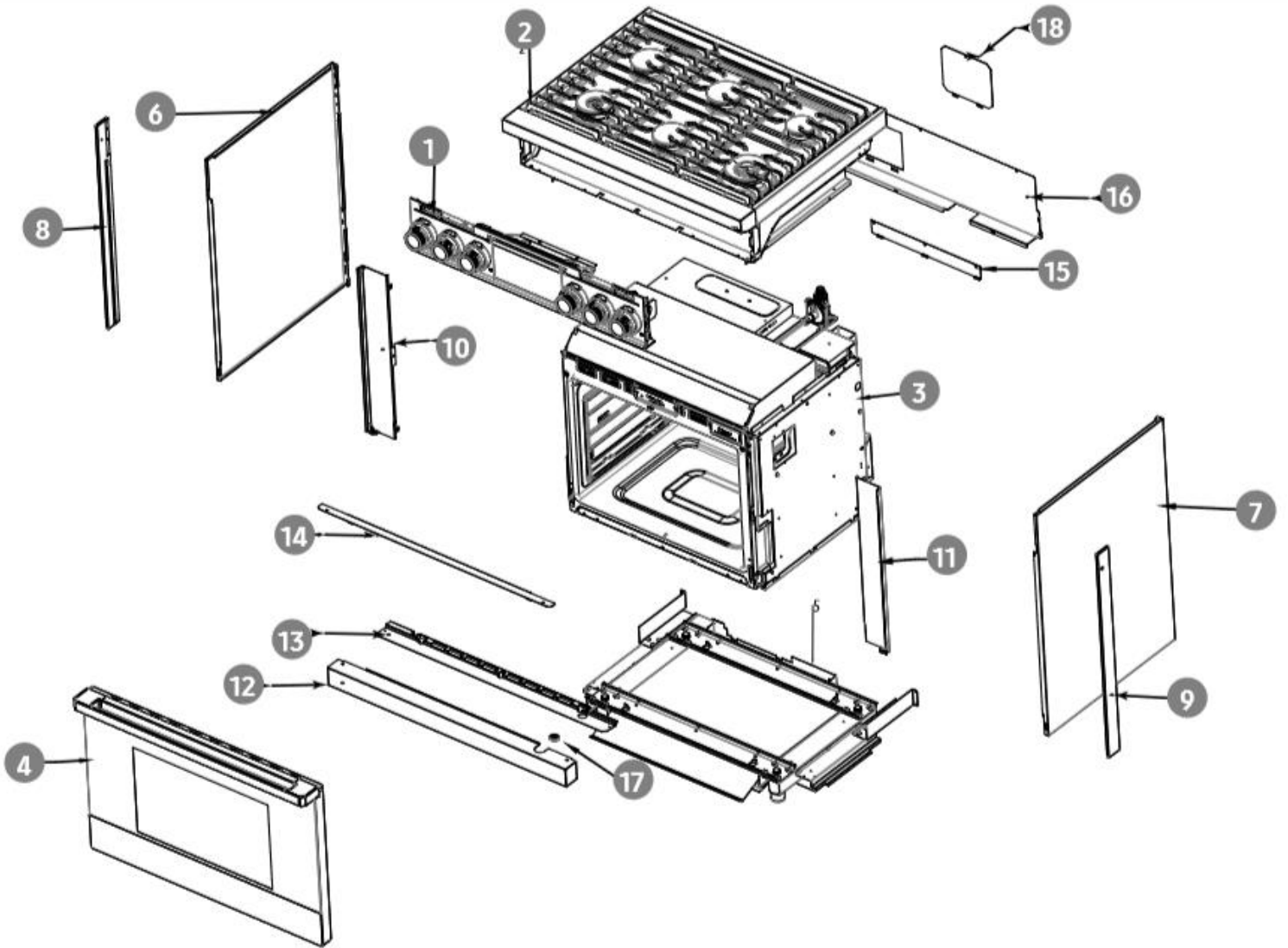
LET THE SHOW BEGIN

PARTS CATALOG

DOP36M86D** Pro Range

Assembly Drawings and Parts Lists	
Click Page	Description
2	Main-Chassis Assembly
4	Assembly Cooktop - Main (Parts List)
6	Assembly Cooktop (Parts List)
8	Control Panel (Parts List)

DOP36M86D** : Main-Chassis Assembly

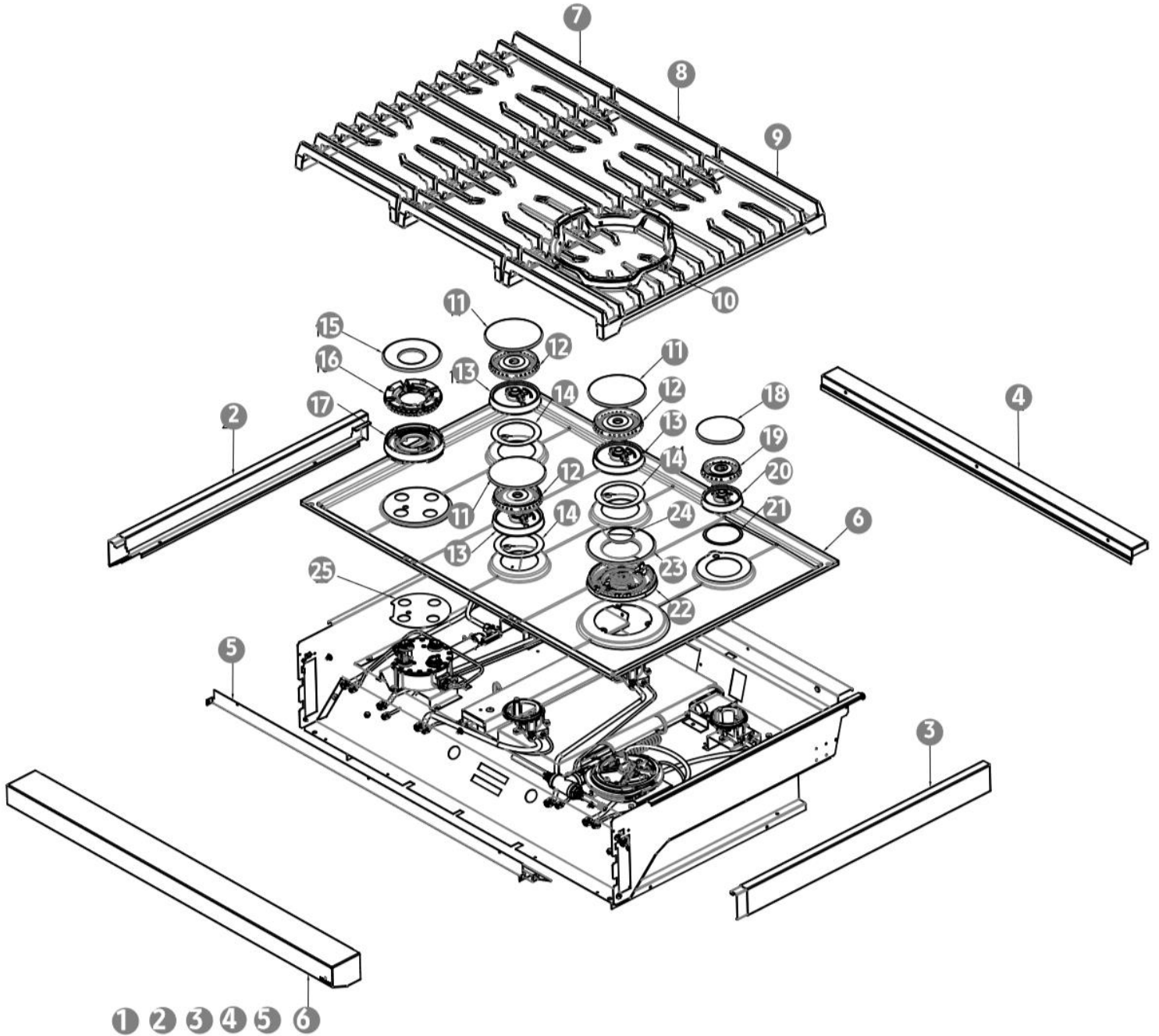


[Return to Page 1](#)

DOP36M86D** : Main-Chassis Assembly (Parts List)

Item	P/N	Description
1	SNA	Assy, Sub-Panel Silver
	SNA	Assy, Sub-Panel Graphite
2	SNA	Assy, Cooktop
3	SNA	Assy, Cavity
4	111972	Assy Door
5	703011	Assy Base
6	110104	Panel, Side Left Silver
	110104B	Panel, Side Left Graphite
7	110105	Panel, Side Right Silver
	110105B	Panel, Side Right Graphite
8	110597	Trim, Side, Cav, left Silver
	110598	Trim, Side, Cav, Left Graphite
9	110599	Trim, Side, Cav, Right Silver
	1105600	Trim, Side, Cav, Right Graphite
10	110103	Trim, Chassis, Left
11	110209	Trim, Chassis, Right
12	703102	Kick Panel, Silver
	703102B	Kick Panel, Graphite
13	110262	Mtg. Kick Panel, 36"
14	110217	Trim, Upper 36"
15	110263	Cover, Base, Rear
16	110230	Cover, Body, Rear 36"
17	110617	Rubber Ring
18	112875	Cover, Body, Switch

DOP36M86D** : Assembly Cooktop - Main



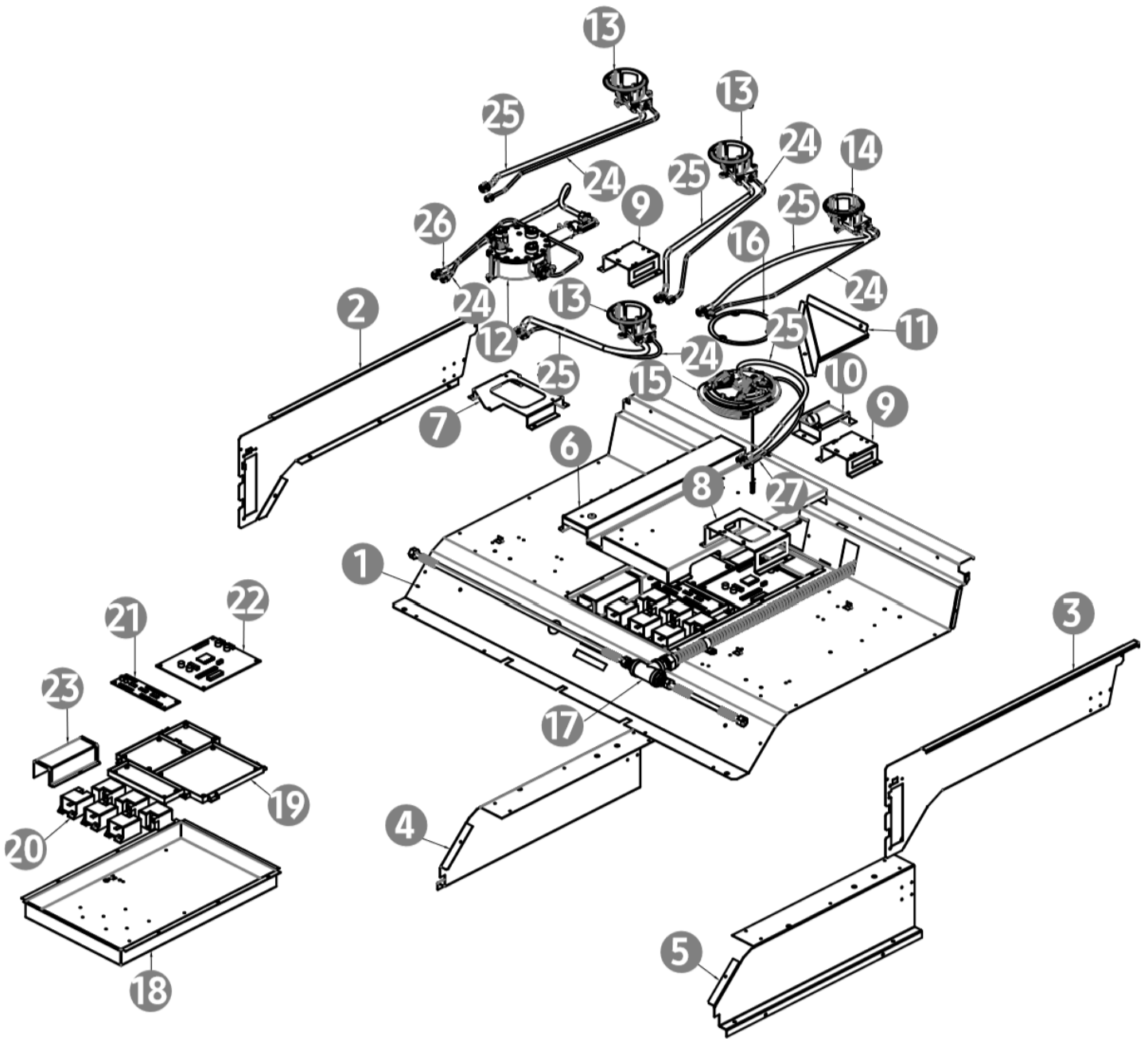
[Return to Page 1](#)

DOP36M86D** : Assembly Cooktop - Main

Item	DOP36M86D*	Description
1	703677	Assy, Front Frame Bullnose, Silver
	703677B	Assy, Front Frame Bullnose, Graphite
1-1	115094	Assy, Wire Harness-DC Signal
1-2	110626	Assy, Holder PCB
1-2-1	111762	Bluetooth Module
1-2-2		Cover PCB-Bluetooth
1-3	110630	Assy, Holder PCB
1-3-1		Assy, Module
1-3-2		Holder LED
1-3-3		Holder LED-B
1-4	110629	Assy, Holder PCB
1-4-1		Assy, Module
1-4-2		Indicator WiFi
1-4-3		Holder LED-Top
1-4-4		Holder Button
1-5	110591	Cover, Lamp
1-6	703724	Weld, Bullnose, 36"
2	703012-01	Weld, Trim Side, Silver, Left
	703012-01B	Weld, Trim Side, BLK, Left
3	703012-02	Weld, Trim Side, Silver, Right
	703012-02B	Weld, Trim, BLK, Right
4	702901	Weld, Trim, Raer Silver
	702901B	Weld, Trim, Raer, BLK
5	115067	Bracket, Frame
6	113988BP	Spill Tray

Item	DOP36M86D*	Description
7	110237	Grate, Side, Left
8	113987	Grate, Middle
9	110324	Grate, Side, Right
10	110235	Assy, Grate-Wok
11	108061-01	Cap, Burner, Brass, 16k
	110562-02	Cap, Burner, BLK, 16k
12	101547	Ring, Burner, 16k
13	112089	Assy, Base, 16k
14	112044	Gasket, 16k
15	110561-02	Cap, Burner, BLK, 18k
	108062-01	Cap, Burner, Brass, 18k
16	700028	Ring, Burner, 18k
17	110563	Burner, Base, Dual, 18k
18	108764-01	Cap, Burner, 18k
	108764-02	Cap, Burner, 9k, Brass
19	700034	Ring, Burner, 8.5k
20	112090	Assy, Base, 8.5k
21	112045	Gasket, 9k
22	112041	Ring, Brass, 22k
23	110430-01	Cap, Outer, Burner 22k, Brass
	110430-02	Cap, Outer, Burner 22k, BLK
24	110431-01	Cap, Burner, 22k, Brass
	110431-02	Cap, Inner, Burner, 22k, BLK
25	700145	Gasket, Dual Burner, Graphite

DOP36M86D** : Assembly Cooktop

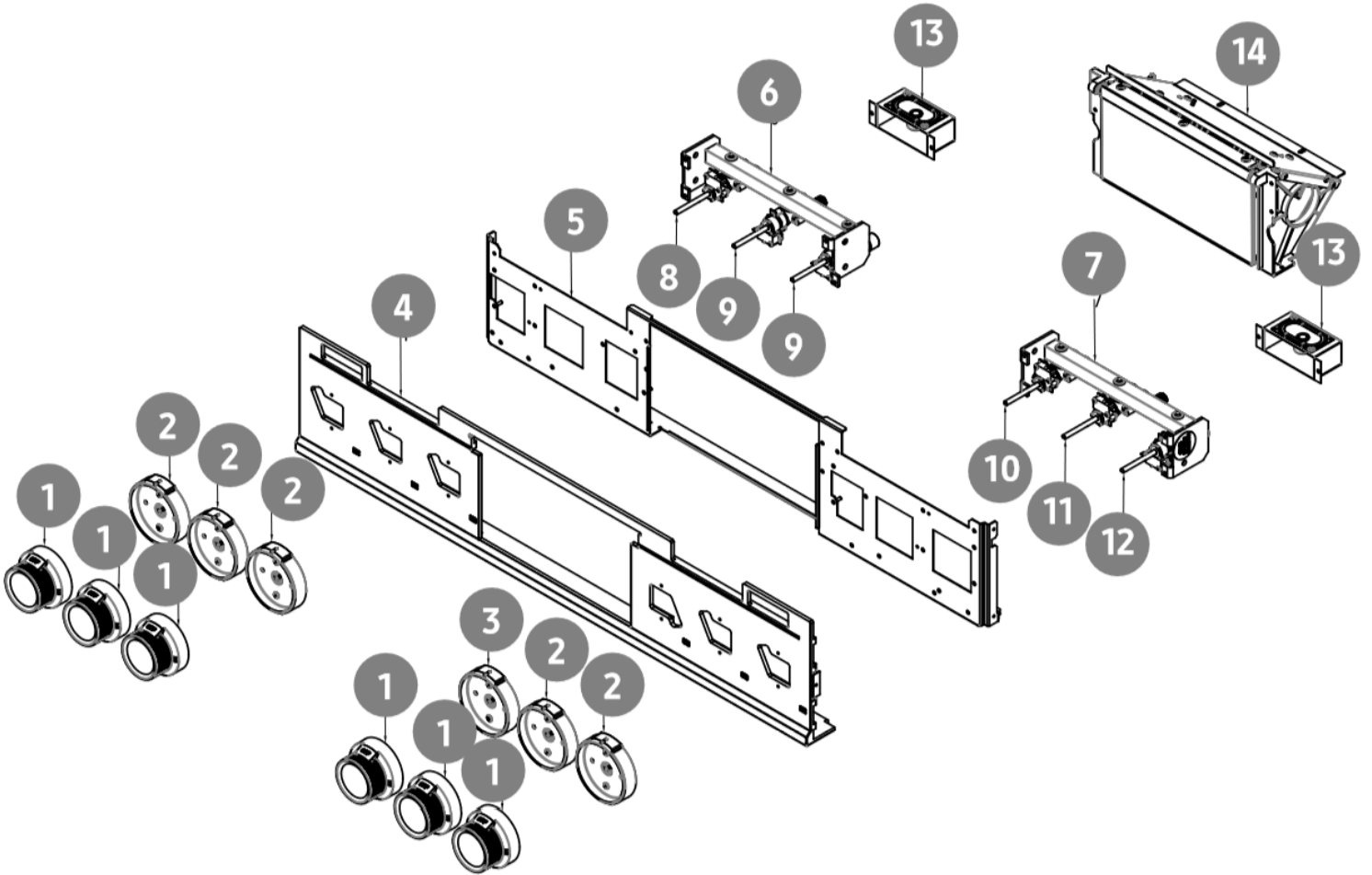


[Return to Page 1](#)

DOP36M86D** : AssemblyCooktop (Parts List)

Item	DRW30M977WS	Description	Item	DRW30M977WS	Description
1	11011	Chassis, 36"	15	702966-01	Assy, Burner Cup, 22, NG
2	110228	Case, Burner, Left		702966-02	Assy, Burner Cup, 19k, LP
3	110229	Case, Burner, Right		702966-03	Assy, Burner Cup, 16k, NGH
4	110224	Support Frame, Left		702966-04	Assy, Burner Cup, 16k, LPH
5	110225	Support Frame, Right	16	112043	Gasket, Burner, 22k
6	115006	Cover, PCB Main	17	703002	Assy, Tubin, Inlet
7	110258	Bracket, Burner-B	18	115007	Case, PBA
8	110259	Bracket, Burner-C	19	110589	Holder, PCB-sub
9	110257	Bracket, Burner	20	72634	Assy, Module Spark
10	110574	Cover, Harness	21	112040	LED, Dimming, PBA, B
11	115020	Cover, Connector	22	115130	LCD, Sub, PBA, Relay
12	703072-01	Assy, Dual Burner, 18k, NG	23	115015	Cover, Wire
	701985-02	Assy, Dual Burner, 18k, LP	24	100580	Flex Tubing 3/16" x 18"
	703072-03	Assy, Bual Burner, 18k NGH	25	100579	Flex Tubing 5/16 x 18"
	703072-04	Assy, Dual Burner, 18k LPH	26	100578	Flex Tubing 5/16" x 21"
13	703071-01	Assy, Injector Holder, 16k NG	27	100900	Flex Tubing 3/16 x 16"
	700348	Assy, i njector Holder, 16k LP	28	112110	Assy, Wire Harness Ign. Mod. Power
	703071-03	Assy, Injector Holder, 16k LGH	29	115093	Wire Harness, Power
	703071-04	Assy, Injector Holder, 16k LPH	30	115092	Assy, Wire Harness Communication
14	700346	Assy, Injector Holder, 9k	31	115096	Assy, Wire Harness Cooktop
			32	62834	Regulator, NG (Not Shown)
			33	72980	Regulator, LP (Not shown)

DOP36M86D** : Control Panel



[Return to Page 1](#)

DOP36M86D**: Control Panel, Parts List

Item	P/N	Description	Item	P/N	Description
1	110622	Assy, Knob, Silver	9	702863-04	NG-16,000 BTU Valve
	110623	Assy, Knob, BLK		702863-12	LP-16,000 BTU Valve
2	110618	Assy, Knob Holder, Silver		702863-21	NGH-16,000 BTU Valve
	110619	Assy, Knob Holder, BLK		702863-12	LPH-16,000 BTU Valve
3	110620	Assy, Knob Holder, Griddle, Silver	10	702863-03	NG-16,000 BTU Valve
	110621	Assy, Knob Holder, Griddle, BLK		702863-11	LP-16,000 BTU Valve
4	115013	Panel, Control, Silver		702863-24	NGH-16,000 BTU Valve
	115013B	Panel, Control, Graphite		702863-11	LPH-16,000 BTU Valve
5	115014	Control, Sub-Panel	11	702863-01	NG-9,000 BTU Valve
6	703672-01	Assy, Manifold, LF, NG		702863-09	LP-9,000 BTU Valve
	703672-02	Assy, Manifold, LF, LP		702863-20	NGH-9,000 BTU Valve
	703672-03	Assy, Manifold, LF, NGH	702863-09	LPH-9,000 BTU Valve	
	703672-04	Assy, Manifold, LF, L LPH	12	702863-06	NG-22,000 BTU Valve
7	703674-01	Assy, Manifold, RT, NG		702863-14	LP-22,000 BTU Valve
	703674-02	Assy, Manifold, RT, LP		702863-23	NGH-22,000 BTU Valve
	703674-03	Assy, Manifold, RT, NGH	702863-14	LPH-22,000 BTU Valve	
	703674-04	Assy, Manifold, RT, LPH	13	703054	Assy, Oval Speaker
8	702863-07	NG-18,000 BTU Valve	14	115128	Assy, 36" Panel, Control
	702863-15	LP-18,000 BTU Valve	15	115091	Assy, Wire Harness Sensor
	702863-07	NGH-18,000 BTU Valve	16	115095	Assy, Wire Harness Sensor
	702863-19	LPH-18,000 BTU Valve			

