

dacor®

The Life of the Kitchen.®

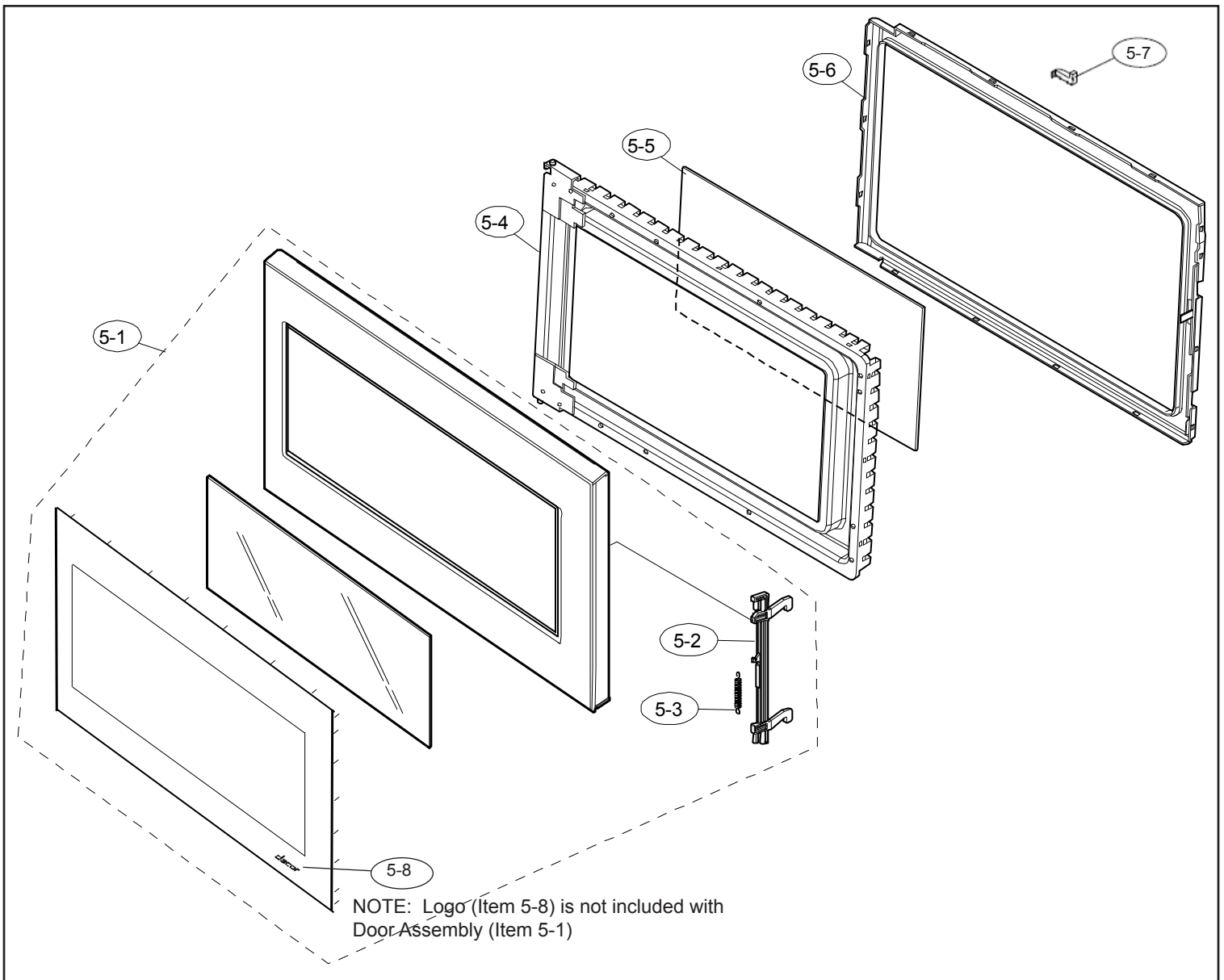
PARTS CATALOG

DMT2420 Microwave Oven

Page	Description
2	Door Assembly
3	Control Panel Assembly
4	Chassis and Electrical Assembly
5	Chassis and Electrical Parts

Revised 12-18-2014

DMT2420 Microwave Door Assembly



Item	Part #	Description
5-1	See table ¹	DOOR ASSEMBLY ¹
5-2	86785	LATCH HEAD
5-3	86786	LATCH SPRING
5-4	86783	DOOR PANEL, ALL MODELS EXCEPT WHITE
	66855	DOOR PANEL, WHITE
5-5	86788	SEALER FILM
5-6	86784	CHOKE COVER
5-7	105442	Door Stopper
5-8	72945CH	Logo - Not included with Door Assembly

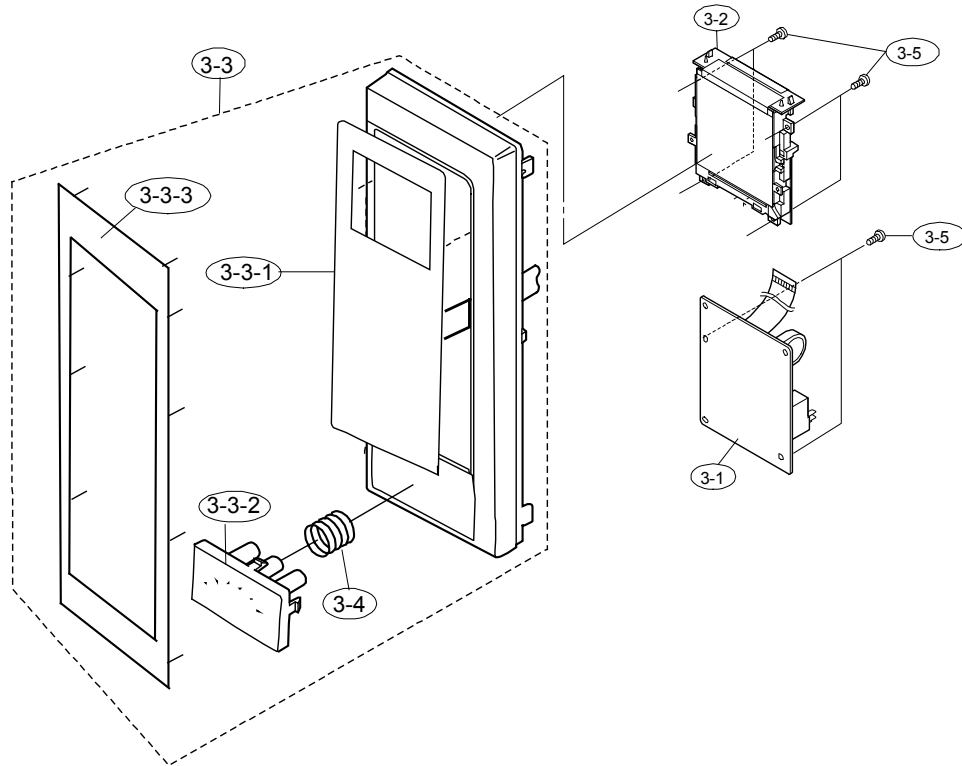
Door Style Table (Item 5-1)	
Model	Door Door Assembly Part #
DMT2420AG	86782AG (86781AG) ^{2, 3}
DMT2420B ¹	86782B ^{1, 3}
DMT2420BK ¹	86782BK ¹ (86781BK) ^{2, 3}
DMT2420BU	86782BU (86781BU) ^{2, 3}
DMT2420GN	86782GN (86781GN) ^{2, 3}
DMT2420R	86782R ³
DMT2420S	86782S (86781S) ^{2, 3}
DMT2420SG	86782SG (86781SG) ^{2, 3}
DMT2420TS	86782TS (86781TS) ^{2, 3}

¹ **IMPORTANT:** There are two different black styles and other various color schemes. Be careful to match model number to the correct part number in the table, otherwise the new part will not match.

² Part number for complete door assembly. Includes items 5-1, 5-4, 5-5 and 5-6.

³ Items 5-7 and 5-8 must be ordered in order to complete door assembly.

DMT2420 Microwave Control Panel Assembly



Item	Part #	Description
3-1	66852*	POWER UNIT (N/A)*
3-2	101871	LSI/POWER SUPPLY UNIT ASSY
3-3	See table 1**	CONTROL PANEL FRAME ASSEMBLY**
3-3-1	66859	KEY UNIT
3-3-2	See table 2**	DOOR OPEN BUTTON**
3-3-3	66863	DECORATION PLATE
3-4	86779	OPEN BUTTON SPRING
3-5	86780	SCREW, 3 MM X 10 MM

Model	Control Panel Assembly Part #
DMT2420AG	66858AG
DMT2420B**	66858B**
DMT2420BK**	66858BK**
DMT2420BU	66858BU
DMT2420GN	66858GN
DMT2420R	66858R
DMT2420S	66858S
DMT2420SG	66858SG
DMT2420TS	66858TS

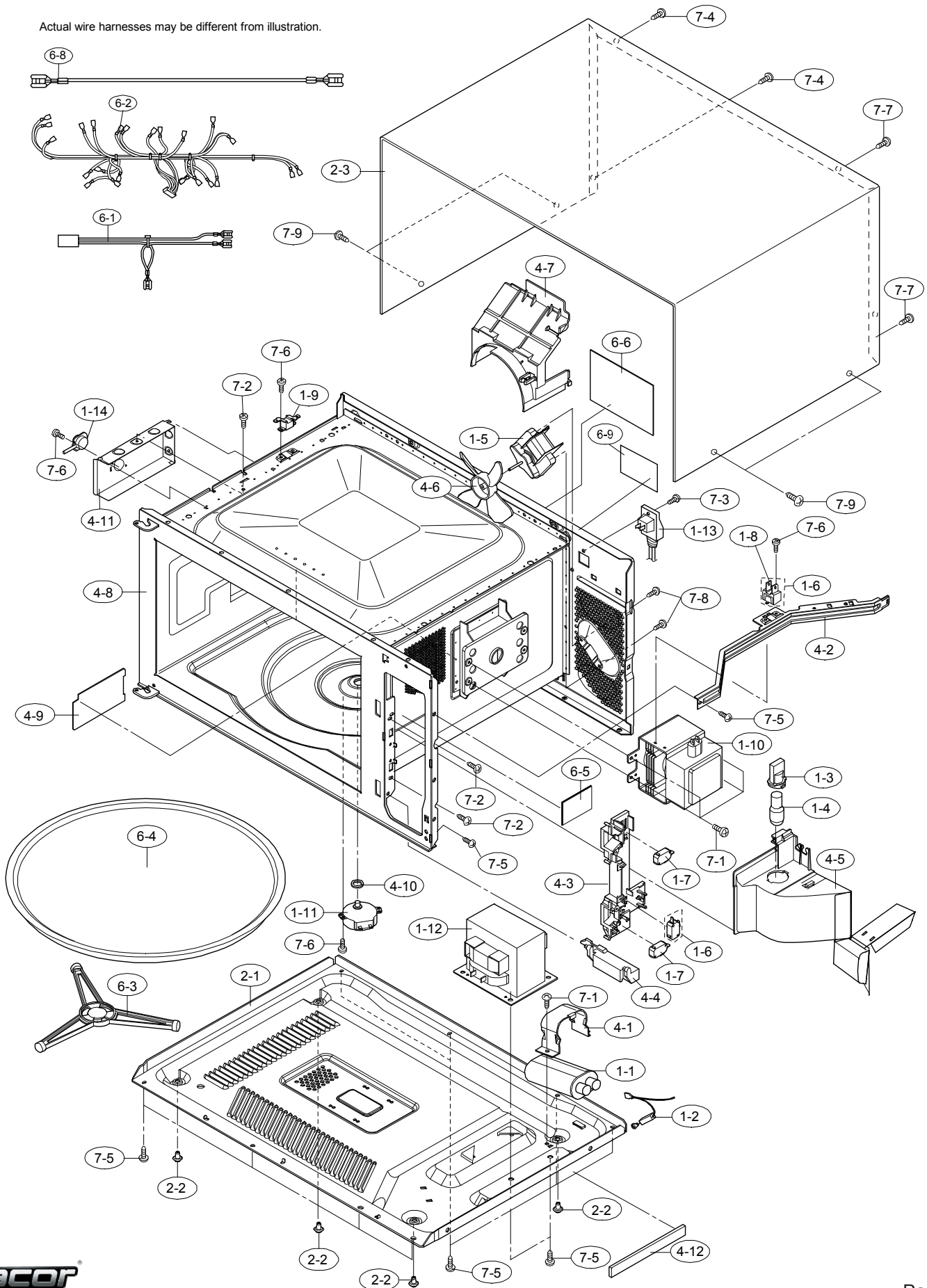
Model	Door Open Button Part #
DMT2420AG	66337AG
DMT2420B**	66864**
DMT2420BK**	66337BK**
DMT2420BU	66337BU
DMT2420GN	66337GN
DMT2420R	66864
DMT2420S	66864
DMT2420SG	66337SG
DMT2420TS	66337TS

* Replaced with PN 101871 (3-2), order PN 101871.

** **IMPORTANT:** There are two different black styles and other various color schemes. Be careful to match model number to the correct part number in the table, otherwise the new part will not match.

DMT2420 Chassis and Electrical Assembly

Actual wire harnesses may be different from illustration.



DMT2420 Chassis and Electrical Parts

Item	Part #	Description
1-1	66874	HI VOLTAGE CAPACITOR
1-2	66857	HI VOLTAGE RECTIFIER ASSEMBLY
1-3	86797	OVEN LAMP SOCKET
1-4	76233 ¹	OVEN LAMP
1-5	86805	FAN MOTOR
1-6	66890	MONITOR SWITCH
1-7	66236	INTERLOCK SWITCH
1-8	66872	C/T FUSE
1-9	86795	CAVITY TEMPERATURE FUSE
1-10	66354	MAGNETRON
1-11	66245	TURN TABLE MOTOR
1-12	76123	POWER TRANSFORMER
1-13	66854	POWER SUPPLY CORD
1-14	66856	AH SENSOR
2-1	66861	BASE PLATE
2-2	66862	FOOT
2-3	86813R	OUTER CASE CABINET (WHITE UNITS)
	86813	OUTER CASE CABINET (ALL OTHER COLORS)
4-1	86817	H.V CAPACITOR BAND
4-2	66865	CHASSIS SUPPORT
4-3	66871	LATCH HOOK
4-4	86824	SWITCH LEVER
4-5	66870	MAGNETRON DUCT
4-6	66867	FAN BLADE
4-7	66868	FAN DUCT

¹ Use part number 66362 for units with the following part numbers:

Model	Serial Number
DMT2420B	3331251 and above
DMT2420R	4041238 and above
DMT2420S	3311632 and above

Item	Part #	Description
4-8	-----	OVEN CAVITY (NOT REPLACEABLE)
4-9	106074 ²	WAVEGUIDE COVER
4-10	86843	TURN TABLE MOTOR PACKING
4-11	66869	SENSOR DUCT
4-12	86836	CUSHION
6-1	86792	STOP SWITCH HARNESS
6-2	66860 ³	MAIN WIRE HARNESS ³
	66964 ⁴	MAIN WIRE HARNESS ⁴
6-3	66184	TURNTABLE SUPPORT
6-4	66344	TURNTABLE TRAY
6-5	66876	MONITOR CAUTION LABEL
6-6	-----	DHHS/SCREW CAUTION LABEL
6-7	66877	OPERATION MANUAL
6-8	86799	HIGH VOLTAGE WIRE A
6-9	-----	UL SCREW CAUTION LABEL
7-1	86819	SPECIAL SCREW
7-2	86820	SPECIAL SCREW
7-3	86902	SCREW: 4 MM X 12 MM
7-4	66866	SPECIAL SCREW (TORX TAMPER PROOF)
7-5	66888	SCREW: 4 MM X 12 MM
7-6	86847	SCREW: 3 MM X 8 MM
7-7	66889	SPECIAL SCREW
7-8	86901	SCREW: 4 MM X 8 MM
7-9	86946B	SCREW: 4 MM X 12 MM (BLACK)
	86905	SCREW: 4 MM X 12 MM
----	106061	NOISE FILTER BOARD (NOT SHOWN)

² Use part number 66345 for units with the following part numbers:

Model	Serial Number
DMT2420B	7041987 and above
DMT2420R	7041955 and above
DMT2420S	7041301 and above
DMT2420BC	NA
DMT2420RC	7041953 and above
DMT2420SC	7041300 and above

³ Models DMT2420B, DMT2420R and DMT2420S

⁴ Models DMT2420AG, DMT2420BC, DMT2420BK, DMT2420BU, DMT2420GN, DMT2420RC, DMT2420SC, DMT2420SG and DMT2420TS