

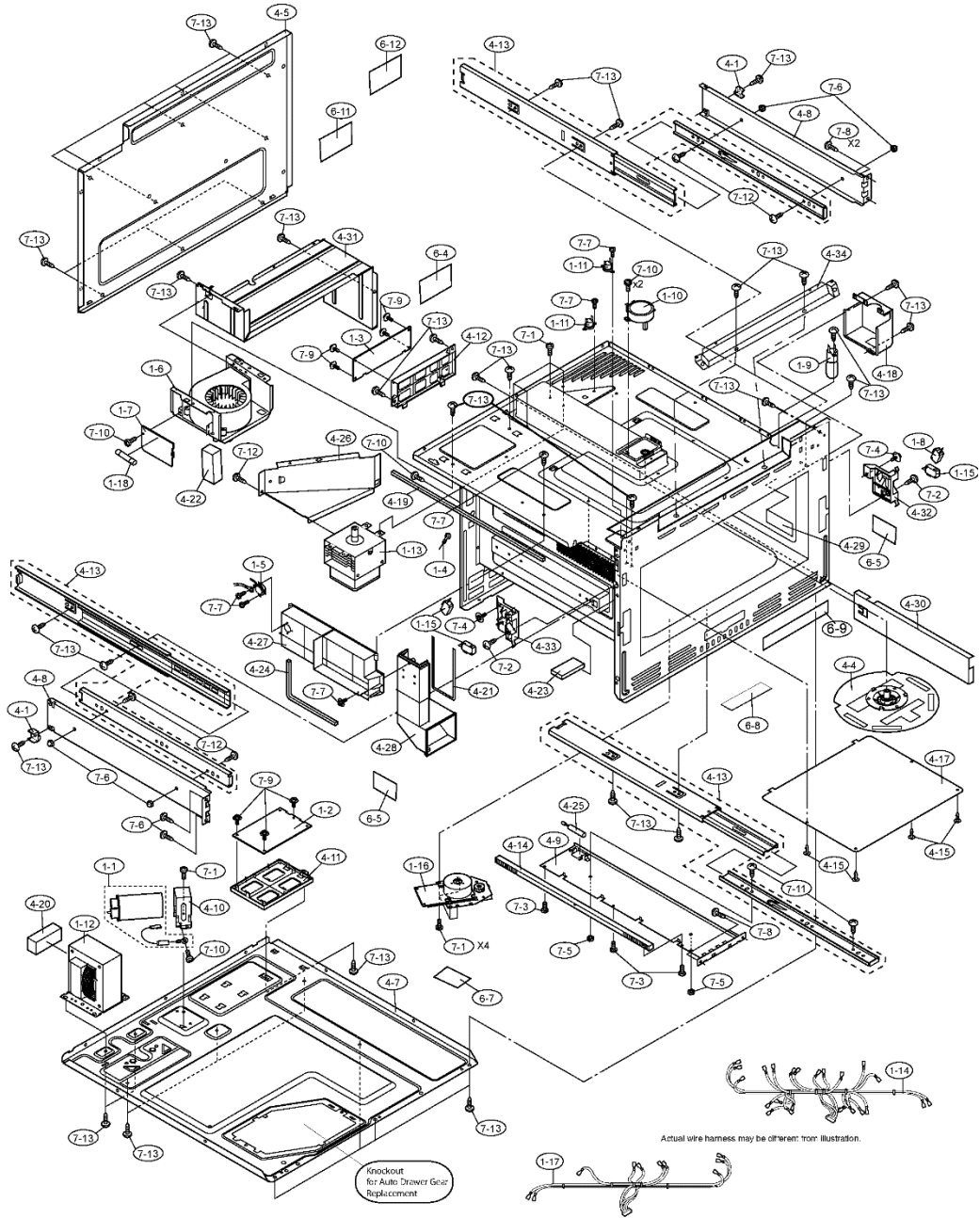
dacor

LET THE SHOW BEGIN

DMR24/30



1. Drawer Cavity

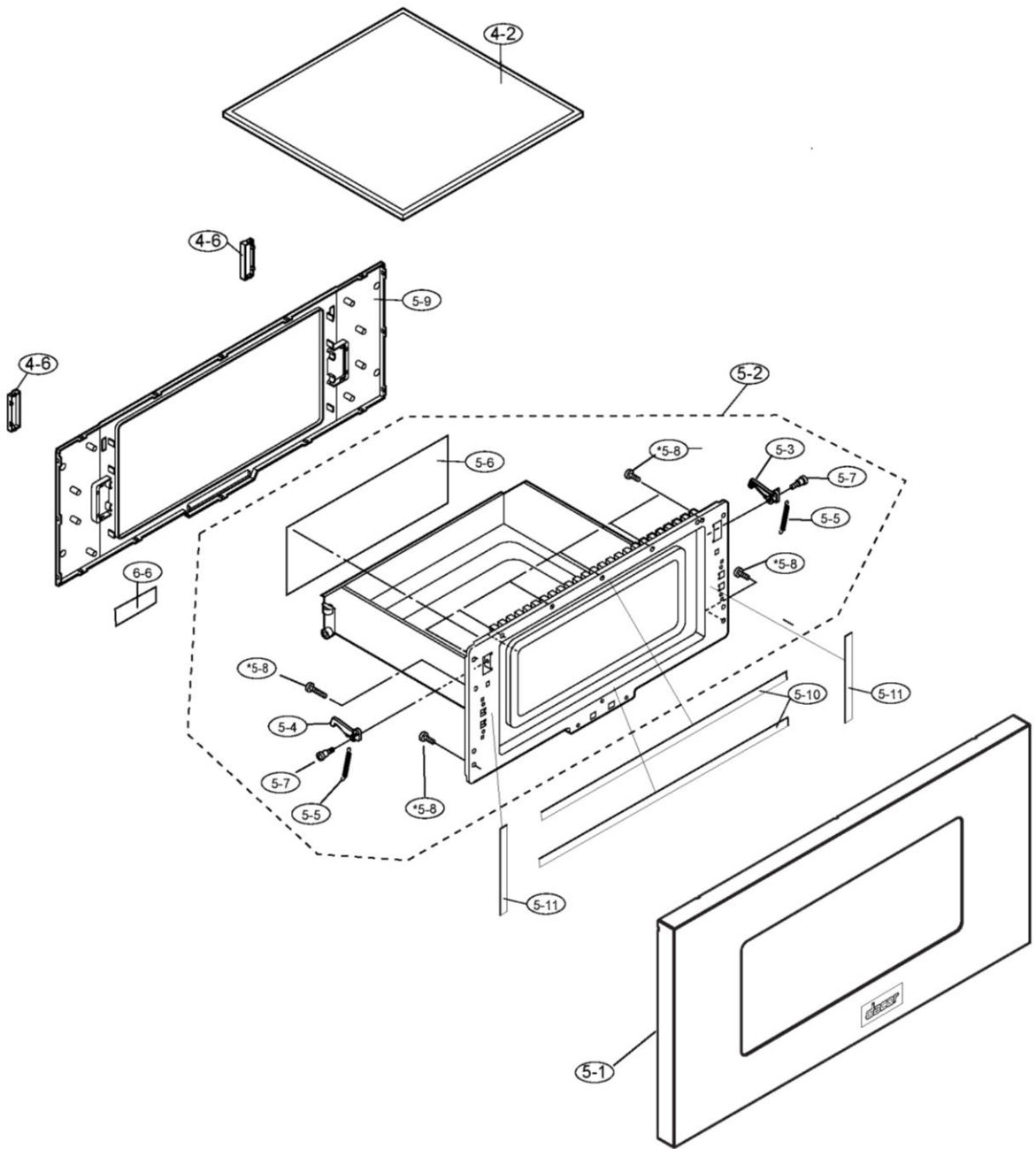


Parts List

Ref.#	Rev C & After Dacor #	Rev B & Before Dacor #	Rev D & After Dacor #	DESCRIPTION
1-1	109888	109888	114352	HVC ASSY
1-2	113873	109889	114353	PSU- Drawer
1-3	109890	113432	109890	SW PSU
1-4	113874	109891	113874	POWER SUPPLY CORD
1-5	101215	109892	101215	SENSOR ASSY
1-6	109893	109893	114354	FAN MOTOR ASSY
1-7	109894	109894	109894	Noise Filter Unit
1-8	110440	66006	110440	MONITOR FUSE
1-9	106062	106062	106062	OVEN LAMP WITH SOCKET
1-10	109895	109895	114355	STIRRER MOTOR
Not Shown	114365	114365	114365	STIRRER MOTOR SHAFT
1-11	66376	86794	66376	Oven/MG DM FUSE
1-12	109896	109896	109896	TRANSFORMER
1-13	109897	109897	114356	MAGNETRON
1-14	113875	109898	114357	DRAWER HARNESS
1-15	109427	112235	109427	SECONDARY/THIRD/STOP SWITCH
1-16	109899	109899	109899	AUTO DRAWER GEAR ASSY
1-17	113876	109900	114358	CPU HARNESS
1-18	110438	110438	110438	FUSE 20A
4-1	109916	109916	109916	DOOR STOPPER
4-3				CAVITY ASSEMBLY (not replaceable parts)
4-4	109918	109918	114364	ANTENNA ASSY
4-5	109919	109919	109919	BACKPLATE
4-7	109921	109921	109921	BASE PLATE
4-8	113437	113437	113437	DOOR SUPPORT ANGLE A
4-9	113438	113438	113438	DOOR SUPPORT ANGLE B
4-10	109924	109924	109924	HVC BAND
4-11	109925	109925	109925	PSU HOLDER
4-12	109926	109926	109926	SW PSU HOLDER
4-13	109927	109927	109927	SLIDE RAIL
4-14	109928	109928	109928	RACK GEAR

4-15	109929	109929	109929	CANOE CLIP
4-17	109931	109931	109931	WAVEGUIDE COVER
4-18	109932	109932	109932	OVEN LAMP COVER
4-19	109933	109933	109933	INLET CUSHION
4-20	109934	109934	109934	HVT CUSHION
4-21	109935	109935	109935	EXHAUST DUCT CUSHION
4-22	109936	109936	109936	FAN MOTOR SUPPORT CUSHION
4-23	109937	109937	109937	AIR FLOW CUSHION
4-24	109938	109938	109938	CUSHION
4-25	109939	109939	109939	OIL DAMPER
4-26	109940	109940	109940	MAG DUCT
4-27	109941	109941	109941	SENSOR DUCT
4-28	109942	109942	109942	EXHAUST DUCT
4-29	109943	109943	109943	LAMP FILTER
4-30	109944	109944	109944	PARTITION AG BOTTOM
4-31	109945	109945	109945	PARTRITION AG REAR
4-32	109946	109946	109946	LATCH HOOK R
4-33	109947	109947	109947	LATCH HOOK L
4-34	109948	109948	109948	FACEPLATE OUTERCASE COVER
6-4				DHHS/GRD/CAUTION LABEL
6-5				MONITOR CAUTION LABEL
6-7				USER CAUTION LABEL
6-8				WAVEGUIDE COVER CLEANING LABEL
6-9				MENU LABEL
6-10				SCHEMATIC DIAGRAM
6-11				USER CAUTION FRENCH LABEL
6-12				NHW CAUTION LABEL
7-1	66205	86819	66205	M4-POINTED-8
7-2	86820	86820	86820	SCREW WITH WASHER
7-3	106060	106060	106060	SCREW
7-4	109964	109964	109964	SCREW WITH WASHER
7-5	101247	101247	101247	CAP NUT
7-6	109965	109965	109965	CAP NUT
7-7	86847	86847	86847	M3 X 8 SCREW - TAP BINDING HEA
7-8	109966	106050	109966	M4 X 12 SCREW - COMMON (RoHS)
7-9	86780	86780	86780	M3 X 10 SCREW - STEEL P-TIGHT
7-10	109967	109967	109967	SCREW: 4MM X 8MM
7-11	106063	106063	106063	4x6mm SCREW
7-12	109970	109970	109970	M4 X 8 SCREW - T TAP TRUSS (Ro
7-13	86905	86905	86905	CABINET SCREW/ CLEAR (RoHS)

2. Door

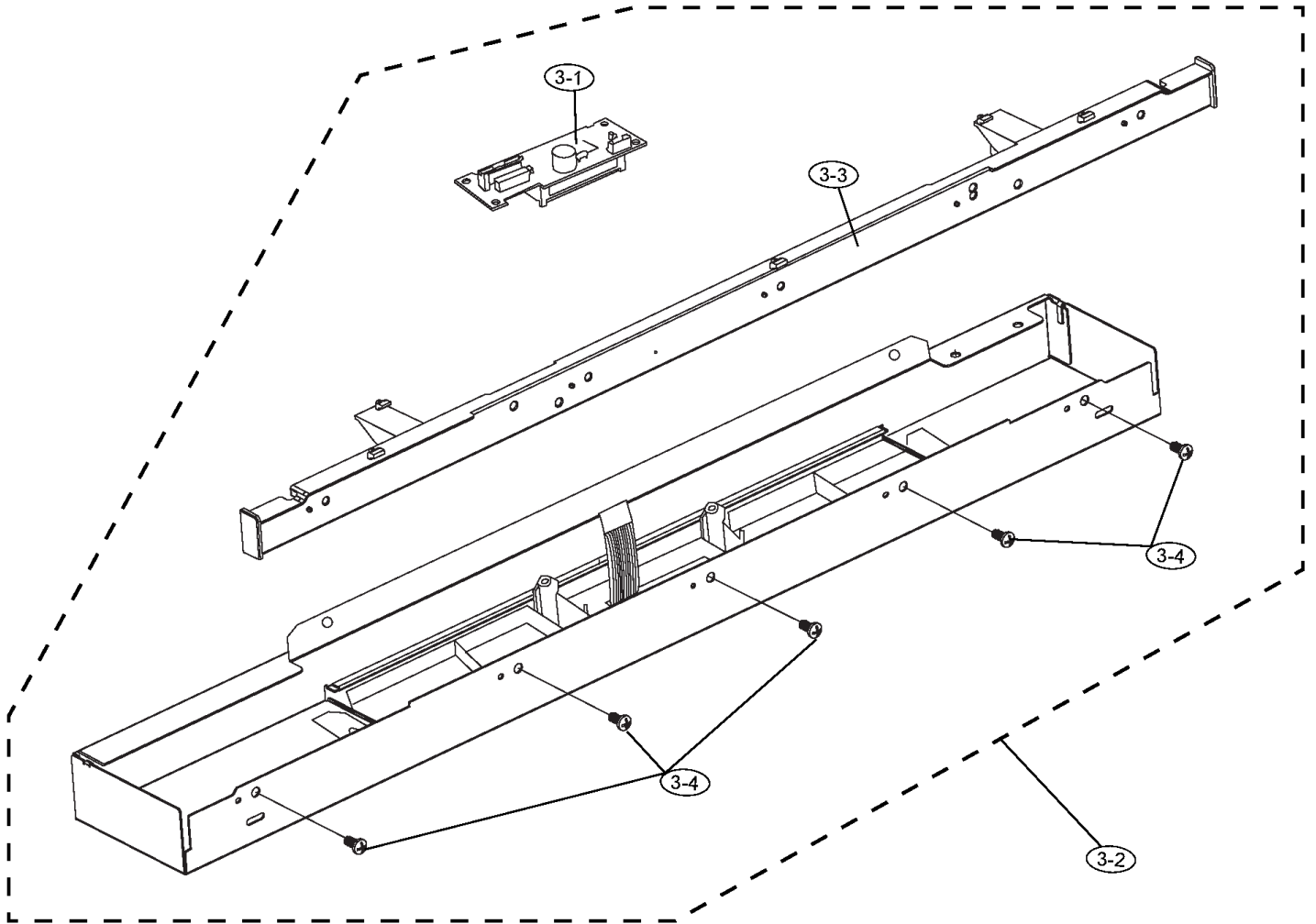


***NOTE: Screws 5-8 not included with 5-2**

Parts List

Ref.#	Dacor #	DESCRIPTION
4-2	109917	OVEN TRAY ASSY
4-6	109920	DOOR SUPPORT COVER
4-16	109930	C/P REAR COVER
5-1	113439	DOOR FRAME ASSY (DMR24M977WS)
5-1	113440	DOOR FRAME ASSY (DMR24M977WM)
5-1	113441	DOOR FRAME ASSY (DMR30M977WS)
5-1	113442	DOOR FRAME ASSY (DMR30M977WM)
5-2	109953	DOOR PANEL ASSY
5-3	109954	LATCH HEAD R
5-4	109955	LATCH HEAD L
5-5	109956	LATCH SPRING
5-6	109957	SEALER FILM
5-7	109958	SPECIAL SCREW
5-8	109959	M4 X 8 SCREW - TAP PAN HEAD
5-9	109960	CHOKE COVER (DMR24M977WS/WM)
5-9	113882	CHOKE COVER (DMR30M977WS/WM)
5-10	109962	Door cushion horizontal
5-11	109963	Door cushion vertical
6-2	NA	INSTALLATION INSTRUCTIONS

3. DRAWER CONTROL PANEL



Parts List

Ref.#	Rev C & After Dacor #	Rev B & Before Dacor #	Rev D & After Dacor #	DESCRIPTION
3-1	113897	109909	114359	CPU- Drawer
3-2	113904	113433	114360	TOUCH CONTROL PANEL ASSY (DMR24M977WS)
3-2	113905	113434	114361	TOUCH CONTROL PANEL ASSY (DMR24M977WM)
3-2	113906	113435	114362	TOUCH CONTROL PANEL ASSY (DMR30M977WS)
3-2	113907	113436	114363	TOUCH CONTROL PANEL ASSY (DMR30M977WM)
3-3	113897	109914	109914	C/P BOTTOM MOUNT INSERT
3-4	113904	109915	109915	SCREW