



The Life of the Kitchen.®

PARTS CATALOG

DMO2420 Microwave Oven

IMPORTANT: This product may have some parts that are **No Longer Available (NLA)**. If the part you need is no longer available, please contact Dacor for a possible solution:

DACOR CARES PROGRAM NLA Part Locator Service

Customer Contact Number:

(800) 793-0093 ex. 2813
Hours: 6:00 AM - 5:00 PM Pacific Time

Service Agent/Technician Contact Number:

(800) 793-0093 ex. 3814
Hours: 7:00 AM - 4:00 PM Pacific Time

Web Inquiries: www.dacor.com/dacorcares

Email Inquiries: dacorcares@dacor.com

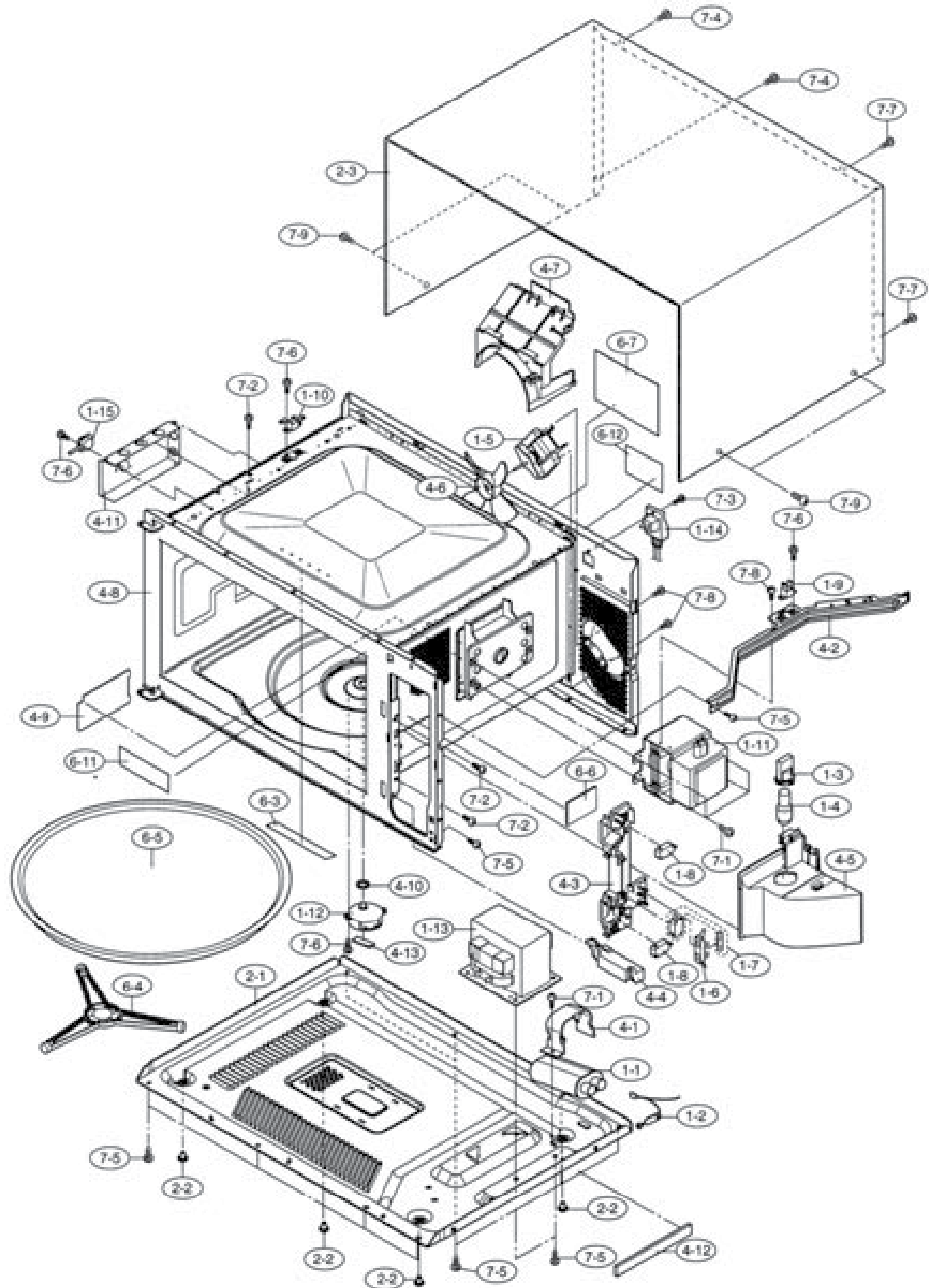
Please provide the following information:

- Your name and phone number
- Product serial number
- Product model number
- The part number(s) you need

Page	Description
2	Chassis/Trim Assembly
3	Chassis/Trim Parts
4	Control Panel Assembly
5	Wiring Harness
6	Door Assembly

Revised 05-07-2012

DMO2420 Microwave Chassis Assembly



DMO2420 Microwave Chassis/Trim Parts

Item	Part #	Description
1-1	86921	HI VOLTAGE CAPACITOR ¹
1-2	86791	HI VOLTAGE RECTIFIER ASSEMBLY ¹
1-3	86797	OVEN LAMP SOCKET
1-4	86800	OVEN LAMP
1-5	86805	FAN MOTOR
1-6	86796	FUSE HOLDER
1-7	66554	MONITOR SWITCH
1-8	66350	SECONDARY INTERLOCK SWITCH/ DOOR SENSING SWITCH
1-9	86794	MAGNETRON TEMPERATURE FUSE
1-10	86795	CAVITY TEMPERATURE SWITCH
1-11	66354	MAGNETRON ^{1, 2}
1-12	86804	TURNTABLE MOTOR
1-13	66609	POWER TRANSFORMER ¹
1-14	66327	POWER SUPPLY CORD
1-15	66329	AH SENSOR
2-1	66335	BASE PLATE
2-2	66336	FOOT
2-3	86813B	OUTER CASE CABINET (DMO2420B)
	86813R	OUTER CASE CABINET (DMO2420R)
	86813S	OUTER CASE CABINET (DMO2420S)
4-1	86817	H.V CAPACITOR BAND
4-2	66338	CHASSIS SUPPORT
4-3	66367	LATCH HOOK
4-4	86824	SWITCH LEVER
4-5	66347	MAGNETRON DUCT
4-6	66343	FAN BLADE
4-7	66346	FAN DUCT
4-8	-----	OVEN CAVITY (NOT REPLACEABLE)
4-9	66345	WAVEGUIDE COVER
4-10	86843	TURNTABLE MOTOR PACKING
4-11	66348	SENSOR DUCT
4-12	86836	CUSHION
4-13	66368	CUSHION

Item	Part #	Description
6-3	66364	CAVITY HOLE COVER
6-4	66331	TURNTABLE SUPPORT
6-5	66344	TURNTABLE TRAY
7-1	86819	SPECIAL SCREW
7-2	86820	SPECIAL SCREW
7-3	86902	SCREW: 4 MM X 12 MM
7-4	66341	SPECIAL SCREW (TORX TAMPER PROOF)
7-5	86904	SCREW: 4 MM X 12 MM
7-6	86847	SCREW: 3 MM X 8 MM
7-7	86821	SPECIAL SCREW
7-8	86901	SCREW: 4 MM X 8 MM
7-9	66544	SCREW: 4 MM X 12 MM (DMO2420B and DMO2420S)
	66543	SCREW: 4 MM X 12 MM (DMO2420R)
-	66645 ³	HARDWARE KIT AMTK TRIM KIT ³
-	66647 ³	HARDWARE KIT APMTK TRIM KIT ³

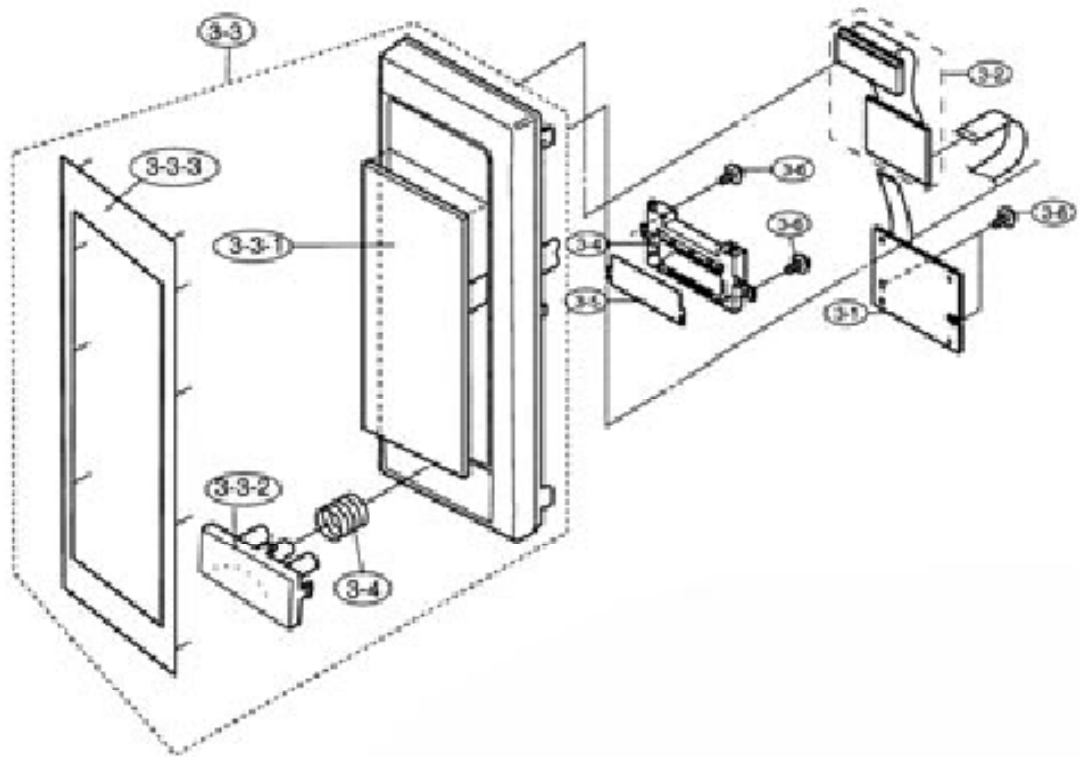
¹ Used in voltage more than 250V.

² May cause undue microwave exposure.

³ Not shown.

Part no longer available? Contact Dacor: (800) 793-0093 ex. 3814

DMO2420 Microwave Control Panel Assembly

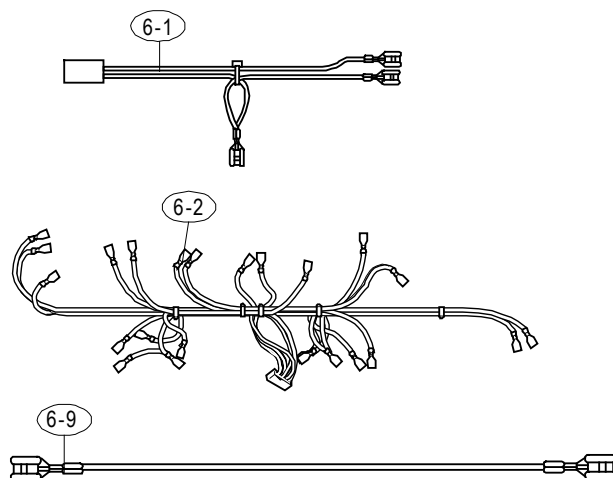


Item	Part #	Description
3-1	66608 ¹	POWER UNIT ¹
3-2	66608 ¹	LSI UNIT ¹
3-3	66330B	CONTROL PANEL FRAME ASSEMBLY (DMO2420B)
	66330R	CONTROL PANEL FRAME ASSEMBLY (DMO2420R)
	66330S	CONTROL PANEL FRAME ASSEMBLY (DMO2420S)
3-3-1	----- ²	KEY UNIT ²
3-3-2	66337B	DOOR OPEN BUTTON (DMO2420B)
	66337R	DOOR OPEN BUTTON (DMO2420R)
	66337B	DOOR OPEN BUTTON (DMO2420S)
3-3-3	66547	DECORATION PLATE (DMO2420B)
	66546	DECORATION PLATE (DMO2420R)
	66545	DECORATION PLATE (DMO2420S)
3-3-4	86779	OPEN BUTTON SPRING
3-4	86920	LCD HOLDER
3-5	66349	LED SHEET
3-6	86849	SCREW, 3 MM X 10 MM

¹ Must be ordered as part number 66608, which includes power unit and LSI unit.

² Cannot be ordered individually. Must order item 3-3.

DMO2420 Microwave Wiring Harness

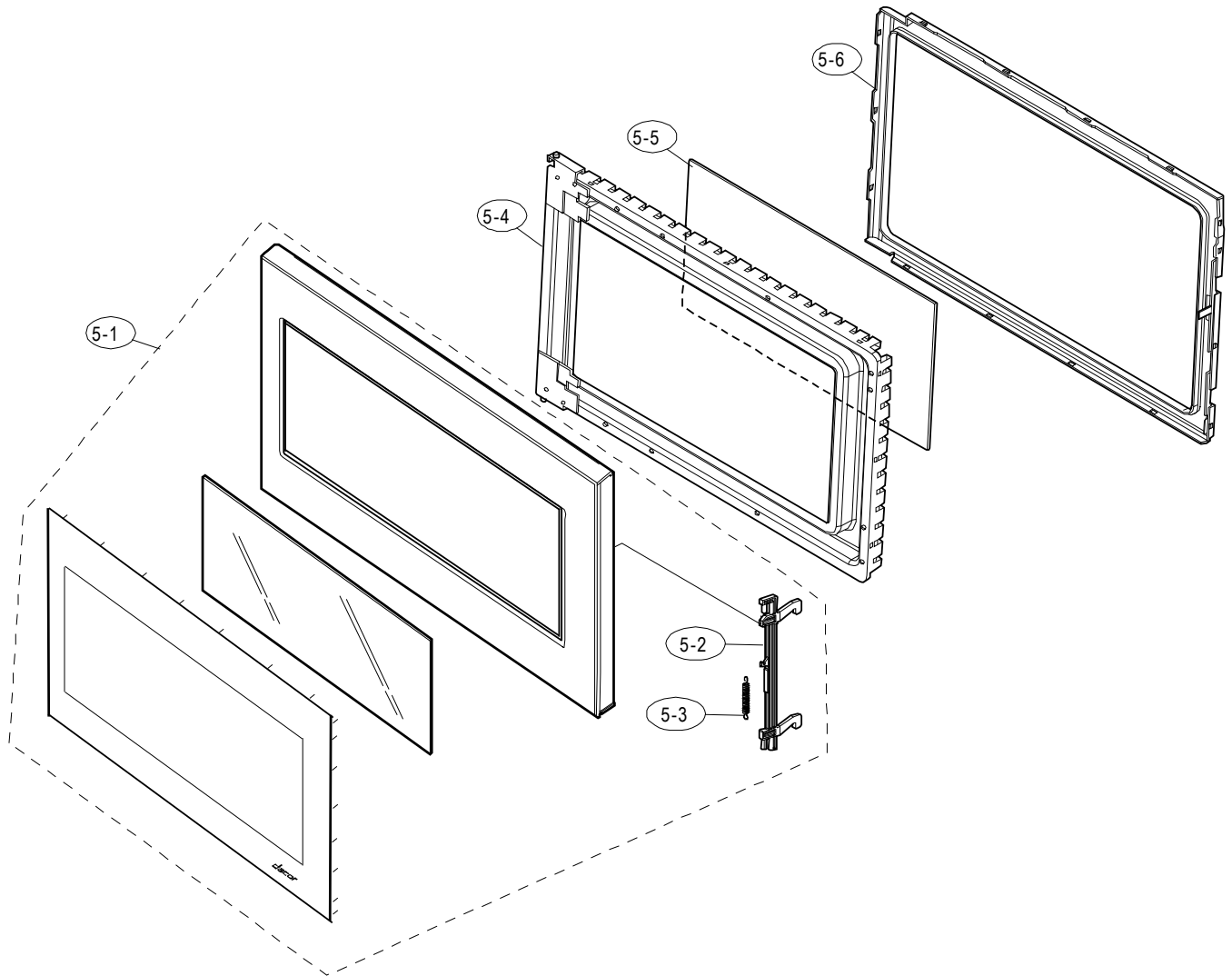


Actual wire harnesses may be different from illustration.

Item	Part #	Description
6-1	86792	STOP SWITCH HARNESS
6-2	66333	MAIN WIRE HARNESS
6-9	86799	HIGH VOLTAGE WIRE A

Part no longer available? Contact Dacor: (800) 793-0093 ex. 3814

DMO2420 Microwave Door Assembly



Item	Part #	Description
5-1	86782B	DOOR ASSEMBLY (DMO2420B)
	86782R	DOOR ASSEMBLY (DMO2420R)
	86782S	DOOR ASSEMBLY (DMO2420S)
5-2	86785	LATCH HEAD
5-3	86786	LATCH SPRING
5-4	86783B	DOOR PANEL (DMO2420B)
	66855	DOOR PANEL (DMO2420R)
	86783S	DOOR PANEL (DMO2420S)
5-5	86788	SEALER FILM
5-6	66334	CHOKE COVER