



The Life of the Kitchen.®

PARTS CATALOG

DMO24 Microwave Oven

IMPORTANT: This product may have some parts that are **No Longer Available (NLA)**. If the part you need is no longer available, please contact Dacor for a possible solution:

DACOR CARES PROGRAM NLA Part Locator Service

Customer Contact Number:

(800) 793-0093 ex. 2813
Hours: 6:00 AM - 5:00 PM Pacific Time

Service Agent/Technician Contact Number:

(800) 793-0093 ex. 3814
Hours: 7:00 AM - 4:00 PM Pacific Time

Web Inquiries: www.dacor.com/dacorcares **Email Inquiries:** dacorcares@dacor.com

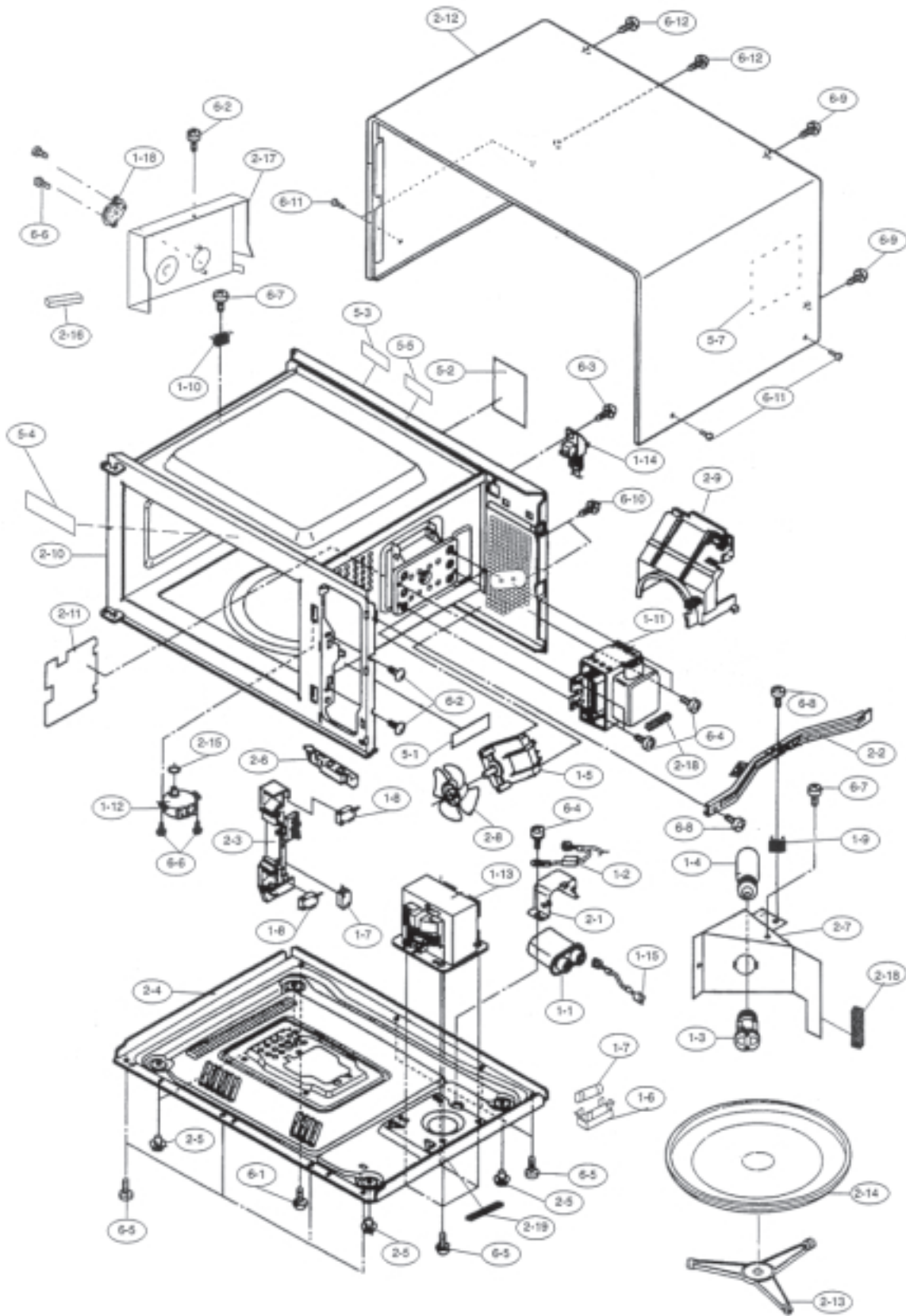
Please provide the following information:

- Your name and phone number
- Product model number
- Product serial number
- The part number(s) you need

Page #	Description
2-3	Cavity Assembly
4	Control Panel Assembly
5	Door Assembly

Revised 09-29-2011

DMO24 Microwave Cavity Assembly



DMO24 Microwave Cavity Assembly

REF.# PART# DESCRIPTION

ELECTRICAL

1-1	86921	H.V. CAPACITOR
1-2	86791	H.V DIODE ASSEMBLY
1-3	86797	OVEN LAMP SOCKET
1-4	86800	OVEN LAMP
1-5	86805	FAN MOTOR
1-6	86796	FUSE BLOCK
1-7	86808	MONITOR SWITCH
1-8	86798	DOOR SENSING SWITCH
1-9	86794	MAGNETRON TEMPERATURE FUSE
1-10	86795	CAVITY TEMPERATURE FUSE
1-11	86807	MAGNETRON
1-12	86804	T.T. MOTOR
1-13	86806	POWER TRANSFORMER
1-14	86789	POWER CORD
1-15	86799	H.V WIRE A
1-16	86793	MAIN WIRE HARNESS
1-17	86792	STOP SWITCH HARNESS
1-18	86790	AH SENSOR

OVEN

2-1	86817	H.V. CAPACITOR BAND
2-2	86816	CHASSIS SUPPORT
2-3	86842	LATCH HOOK
2-4	86814	BASE PLATE
2-5	86815	FOOT
2-6	86824	LATCH LEVER
2-7	86841	MAGNETRON DUCT
2-8	86825	FAN BLADE
2-9	86838	FAN DUCT
2-10	----	OVEN CAVITY - NOT A REPLACEABLE PART
2-11	86828	WAVGUIDE COVER
2-12	86813S	OUTER CASE CABINET (DMO24S) STAINLESS
2-12	86813B	OUTER CASE CABINET (DMO24B) BLACK
2-12	86813R	OUTER CASE CABINET (DMO24R) ARCTIC
2-13	86812	T.T ROLLER ASSEMBLY
2-14	86827	T.T TRAY
2-15	86843	T.T. MOTOR PACKING
2-16	86829	AH SENSOR DUCT CUSHION
2-17	86839	AH SENSOR DUCT
2-18	86837	AIR FLOW CUSHION
2-19	86836	BASE PLATE CUSHION
2-20	86903	MOISTURE BARRIER

REF.# PART# DESCRIPTION

MISCELLANEOUS

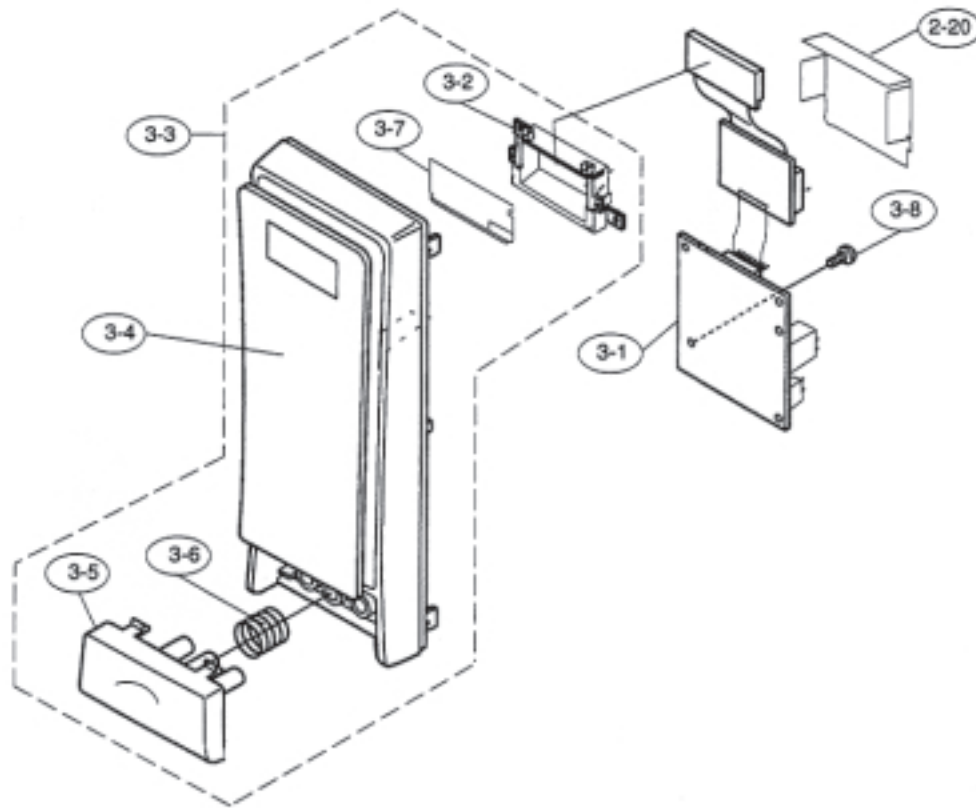
5-1	86744	MONITOR CAUTION LABEL
5-2	86849	DHHS CAUTION LABEL
5-3	86845	UL SCREW LABEL
5-4	86811	MENU LABEL
5-5	86787	BIK CAUTION LABEL
5-6	86810	OPERATION MANUAL
5-7	86846	SCHEMATIC
5-8	86809	PACKING CASE

FASTENERS

6-1	86819	SCREW, BASE PLATE MTG
6-2	86820	SCREW, LATCH HOOK AND AH SENSOR DUCT
6-3	86902	SCREW, POWER CORD MOUNTING
6-4	86818	SCREW, H.V. CAPACITOR MTG AND MAGNETRON MTG
6-5	86904	SCREW, POWER TRANSFORMER MTG., CHASSIS SUPPORT AND BASE
6-6	86848	SCREW, T.T MOTOR MTG. AND AH SENSOR
6-7	86847	SCREW, TEMPERATURE FUSE MTG
6-8	86900	SCREW, MAGNETRON DUCT MTG
6-9	86821	SCREW, O.C. CABINET GRND.
6-10	86901	SCREW, FAN MTR MTG
6-11	86905S	SCREW, O.C. CABINET STAINLESS AND ARCTIC
6-11	86946B	SCREW, O.C. CABINET, BLACK
6-12	86822	SCREW; UL O.C. CABINET
**	66645	HARDWARE KIT FOR APTK EPICURE/MILLENNIA TRIM KIT
**	66647	HARDWARE KIT FOR APMTK PREFERENCE TRIM KIT

Part no longer available? Call Dacor: (800) 793-0093 ex. 3814

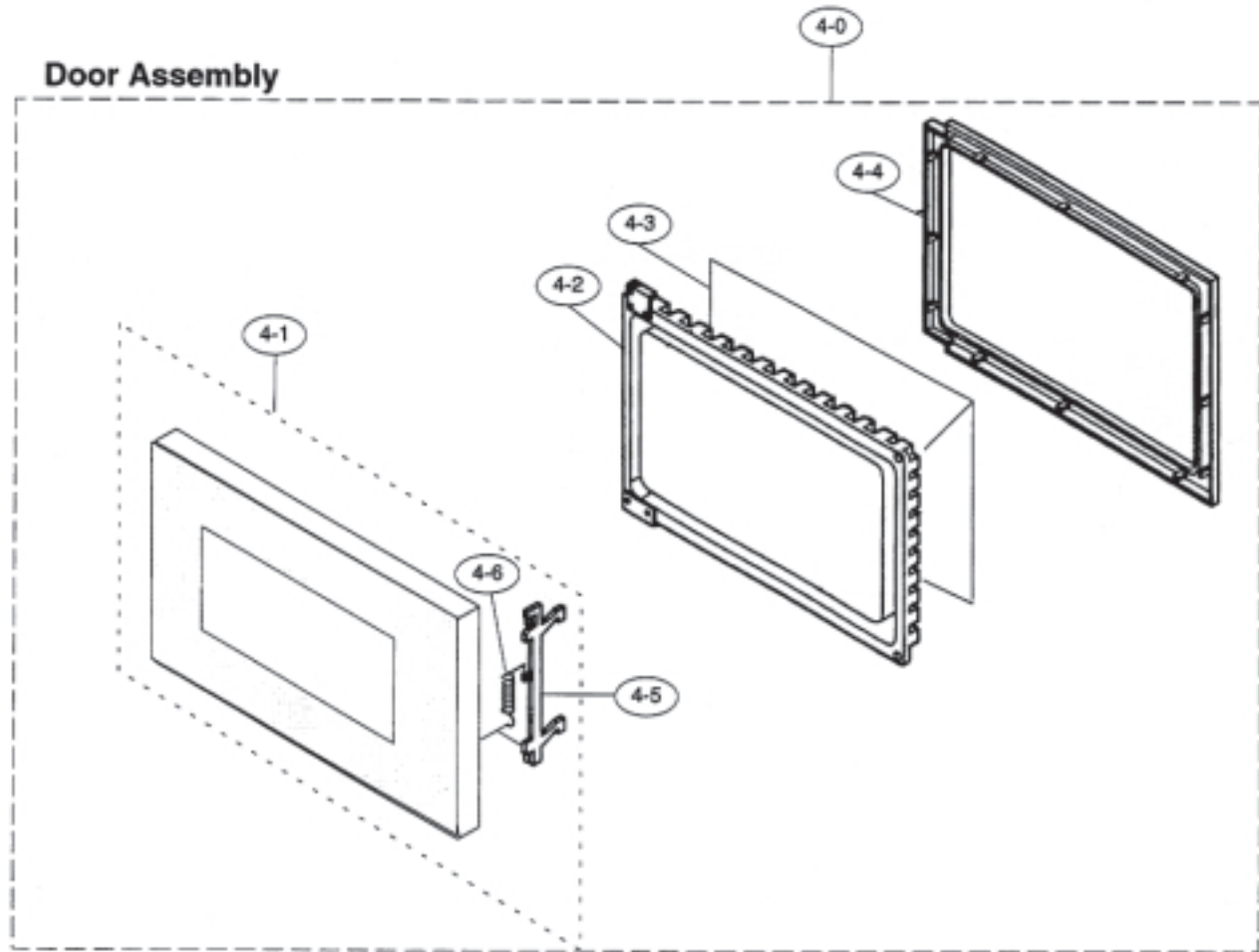
DMO24 Microwave Control Panel Assembly



REF.#	PART#	DESCRIPTION
2-20	86903	MOISTURE BARRIER
3-1	86756	CONTROL UNIT
3-2	86920	LCD HOLDER
3-3	86757S	CONTROL PANEL ASSEMBLY, STAINLESS
3-3	86757B	CONTROL PANEL ASSEMBLY, BLACK
3-3	86757R	CONTROL PANEL ASSEMBLY, ARCTIC
3-4	86758	KEY UNIT
3-4	86758B	KEY UNIT, BLACK
3-4	86758R	KEY UNIT, ARCTIC
3-5	86778	OPEN BUTTON, BLACK & STAINLESS
3-5	86778R	OPEN BUTTON, ARCTIC
3-6	86779	BUTTON SPRING
3-7	86916	LED SHEET
3-8	86780	SCREW; CONTROL UNIT MTG

Part no longer available? Call Dacor: (800) 793-0093 ex. 3814

DMO24 Microwave Door Assembly



REF.#	PART#	DESCRIPTION
4-0	86781S	DOOR ASSEMBLY, STAINLESS
4-0	86781B	DOOR ASSEMBLY, BLACK
4-0	86781R	DOOR ASSEMBLY, ARCTIC
4-1	86782S	DOOR SCREEN ASSEMBLY, STAINLESS
4-1	86782B	DOOR SCREEN ASSEMBLY, BLACK
4-1	86782R	DOOR SCREEN ASSEMBLY, ARCTIC
4-2	86783	DOOR PANEL
4-3	86788	SEALER FILM
4-4	86784	CHOKE COVER
4-5	86785	LATCH HEAD
4-6	86786	LATCH SPRING

Part no longer available? Call Dacor: (800) 793-0093 ex. 3814