

The Dacor logo is rendered in a bold, italicized, sans-serif font with a metallic, 3D effect. The letters are dark with a lighter, reflective highlight on the top and left sides, giving it a sleek, modern appearance. A registered trademark symbol (®) is located at the end of the word.

dacor®

The Life of the Kitchen.®

The background of the page is a faded, grayscale image of a kitchen. It features a white range hood mounted above a white gas cooktop. On the cooktop, there is a white bowl and a large silver pot. To the left, there are some kitchen items like a bowl and a bottle. To the right, there is a sink area with a dish rack containing blue dishes. The overall scene is a typical kitchen environment.

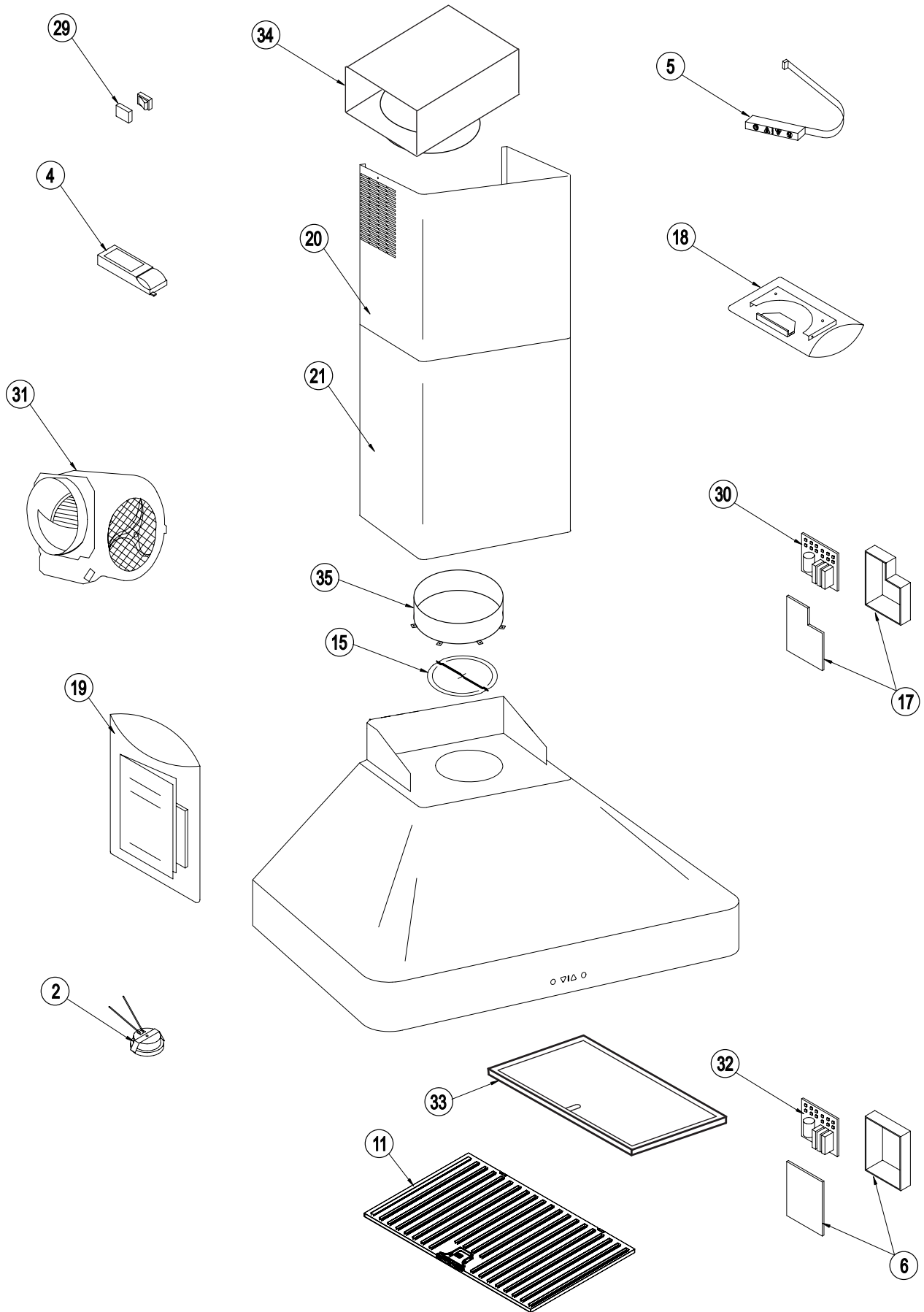
PARTS CATALOG

DHW Series Range Hoods

Page #	Description
2	DHW30/36/42 Assembly
3	DHW48/54 Assembly
4	DHW Parts List

Revised 02-18-2016

DHW30/36/42 Assembly



DHW30/36/42/48/54 Parts List

Item	DHW30/36/42	DHW48/54	Description
2	101944	101944	Halogen Lamp/Socket Asy. 20 Watt
4	101946	101946	Transformer
5	101966	101966	Control Box Set
6	101960	101960	Wiring Box Set
11	101952	101952	Grease Filter
15	101950	101950	Aluminum Valve
17	101959	101959	Wiring Box Set
18	101964	101964	Accessory Bag for Modules (includes Mounting Bracket)
20	101956	101956	Upper Chimney
21	101954	101954	Lower Chimney
29	101962	101962	Emergency Switch
30	101947	101949	Main Control Board
31	101958	101958	Motor Group
32	101948	101948	External Blower Control Board
33	107914	107914	Filter, Carbon*
34	AVDH1	AVDH2	Top Cap, Recirculating Version Only**
35	108889	NA	Duct Collar
36	103667	103667	External Blower Control Board

* Used only on units with the recirculation kit (item 34) installed.

** The top cap is used only on units with the recirculation kit installed. The part number shown is for the entire recirculation kit, which includes the carbon filter(s), item 33.