

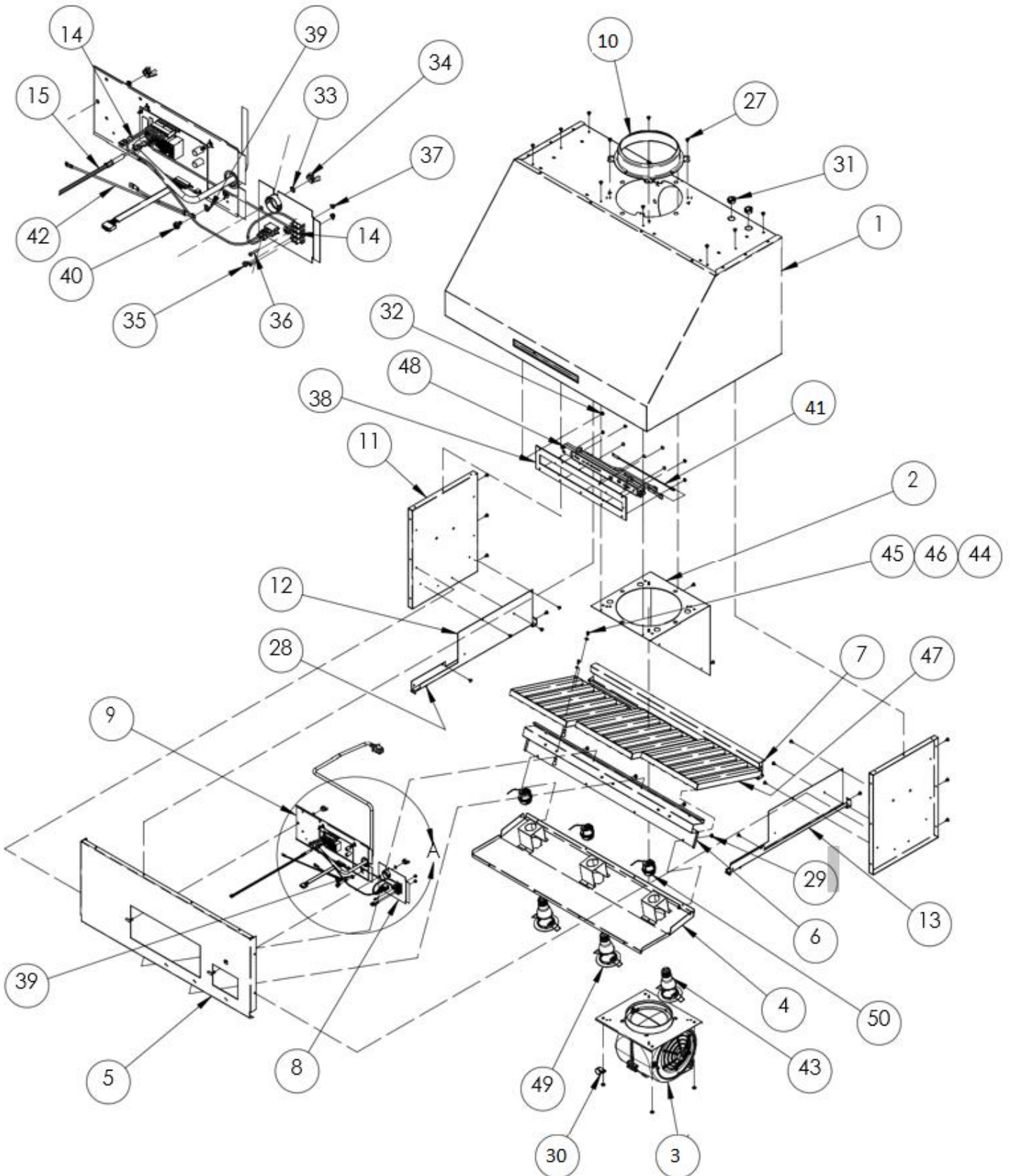
dacor

LET THE SHOW BEGIN

DHD36M987W S/M



DHD36M987W S/M



DHD36M987W S/M

REFERENCE#	PART NUMBER	DESCRIPTION
1	Not Serviceable	ASSY, 36X18IN CANOPY
2	702423	ASSY, CANOPY, MTG BRKT
3	702718	ASSEMBLY, BLOWER
4	702844	ASSY, 36IN LINER
5	703004	WELDMENT, INTERIOR PANEL
6	702872	ASSY, 36IN REAR LINER
7	702867	WELDMENT, 36IN GREASE TRAY
8	702493	ASSY, TERMINAL BLOCK PLATE
9	702967-01	ASSY, CONTROLLER
10	101613	COLLAR, DAMPER
11	109114	FRAME, SIDE
12	110153-01	TRIM, 36IN, LH
13	110153-02	TRIM, 36IN, RH
14	109071	HARNESS, MAIN WIRE, 1-FAN
15	110344	HARNESS, 3 LIGHT LED WIRE
16	65326HL	LABEL SET, SER. NO. W/HOLO. LABEL
17	85249	LABEL, "DIELETRIC TESTED"
18	85591	LABEL, WIRE CNTN SUPP
19	65467	LABEL, CAUTION
20	65467FR	LABEL, CAUTION, FRENCH, HOOD
21	85591FR	LABEL, WIRE CNTN SUPP, FRENCH, HOOD
22	85626	MAINTENANCE LABEL ENGLISH
23	85627	MAINTENANCE LABEL FRENCH
24	110288	LABEL, WIRING DIAGRAM
25	109270-01	LABEL, HOOD CLEARANCE /
26	109270-02	LABEL, HOOD CLERANCE - FRENCH
27	83263	SCREW, PHILL, ROUND WASHER, HD.
28	83534	SCREW, #8 X .375, ENAMEL PANEL
29	102373	SCREW, #8-18 X 1/4"
30	83167	CLAMP, CABLE 3/4"
31	83056	BUSHING HEYCO SB-875-11
32	83308	6-32 KEPS NUT
33	83334	STARWASHER, #8
34	83035	NUT, WING, #10-24
35	83001	SCREW, PHIL PAN HD, 8 x 1/4"
36	83530	SCREW, PHIL. PAN HD, 4-40 X .625 LG
37	83531	NUT, HEX, KEPS 4-40
38	702855	ASSEMBLY, CONTROL BRACKET
39	102402	CUP WASHER
40	102403	SCREW, SLOT HEX, PHIL
41	110301	THERMISTOR
42	110493	WIRES, HOOD GROUND
43	109253	LIGHT, LED
44	109109	KNOB, BAFFLE
45	109328	SCREW 8-32 X 5/16" PHIL PAN HD
46	83340	#10 LOCK WASHER

47	702495	WELDMENT, BAFFLE
48	702848	CONTROL, NK9900
49	109355	TRIM, LAMP
50	101624	LAMP HOLDER