

The Dacor logo is rendered in a bold, italicized, sans-serif font with a metallic, 3D effect. The letters are dark with a lighter, reflective highlight on the top and left sides, giving it a sleek, modern appearance. A registered trademark symbol (®) is located at the end of the word.

# **dacor**®

The Life of the Kitchen.®

A photograph of a white Dacor range hood installed above a white gas range. The hood is a DH Series model, featuring a stainless steel front panel with a control panel on the left side. The range has four burners and a white ceramic cooktop. The background shows a kitchen counter with various items like a bowl, a bottle, and a dish rack.

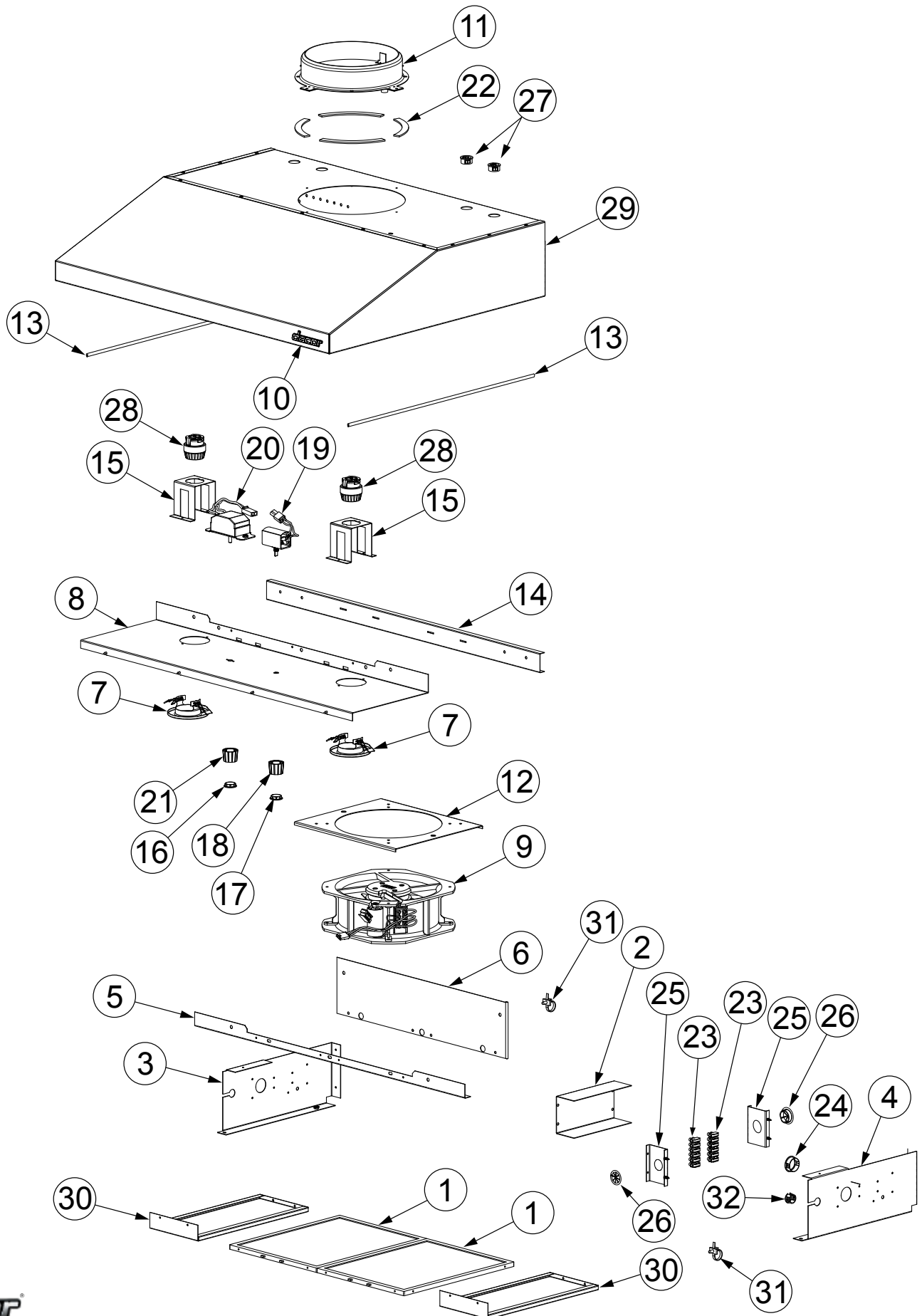
## **PARTS CATALOG**

### **DH Series Range Hood**

<b>Page #</b>	<b>Description</b>
<b>2</b>	<b>Assembly Drawing</b>
<b>3</b>	<b>Part Numbers</b>

Revised 03-14-2014

# DH Series Range Hood Assembly Drawing



# DH Series Range Hood Parts Numbers

Item	DH3006S Part #	DH3606S Part #	Description
1	101617	101617	Filter
2	101656	101656	Cover, Terminal Block
3	105807-01	105807-01	Frame, Side, LH
4	105807-02	105807-02	Frame, Side, RH
5	105808	107094	Frame, Front
6	105810	107096	Shield
7	62352	62352	Trim, Lamp
8	701588	107095	Weld, Liner
9	62355	62355	Fan
10	72510CH	72510CH	Dacor, Logo, Small
11	72022	72022	Damper
12	105806	105806	Bracket, Fan Mounting
13	62350	62350	Trim Edge
14	105805	107093	Trim, Rear
15	101625	105899	Bracket, Lamp Holder
16	36100	36100	Cap, Icon, Fan
17	36511	36511	Cap, Icon, Light
18	62770	62770	Lamp, Dimmer
19	72756	72756	Assy, Lamp Dimmer
20	72757	72757	Assy, Fan Speed Control
21	83424	83424	Knob, Fan
22	81132	81132	Foam Tape
23	102352	102352	Terminal Block
24	102429-01	102429-01	Bushing, 1 1/8"
25	102512	102512	Cover, Terminal Block
26	92191-02	92191-02	Bushing, 1"
27	83056	83056	Bushing
28	62349	62349	Lamp Holder
29	701586	701628	Canopy
30	101612-01	101612-03	Trim, Side Filter
31	83037	83037	Tie, Push Mount
32	83061	83061	Bushing 5/8"
-	92348	92348	Lamp 75 Watt (not shown)

Fastener Descriptions	
Part #	Description
102243	Washer, .625 OD x .395 ID
83204	Screw, 8-32 x 3/8", SST
83048	Nut, Hex KEPS, #8-32
83137	Screw, #8-32 x 1/2, ST
83534	Screw, Wafer Head, #8 x 3/8
83667	Screw, #10-32 x 1/2" Thread cutting
83263	Screw, Phil wafer, #8 x 3/8
83530	Screw, Phil Pan, #4-40 x 5/8
83531	Nut, 4-40 Hex, KEPS
102721	Wall Anchor
83308	6-32, Nuts, KEPS