

The Dacor logo is rendered in a bold, italicized, metallic-style font with a registered trademark symbol.

The Life of the Kitchen.®

A faded background image of a kitchen featuring a Dacor DDWF24S dishwasher, a gas cooktop with a white bowl on it, and various kitchen items on the counter.

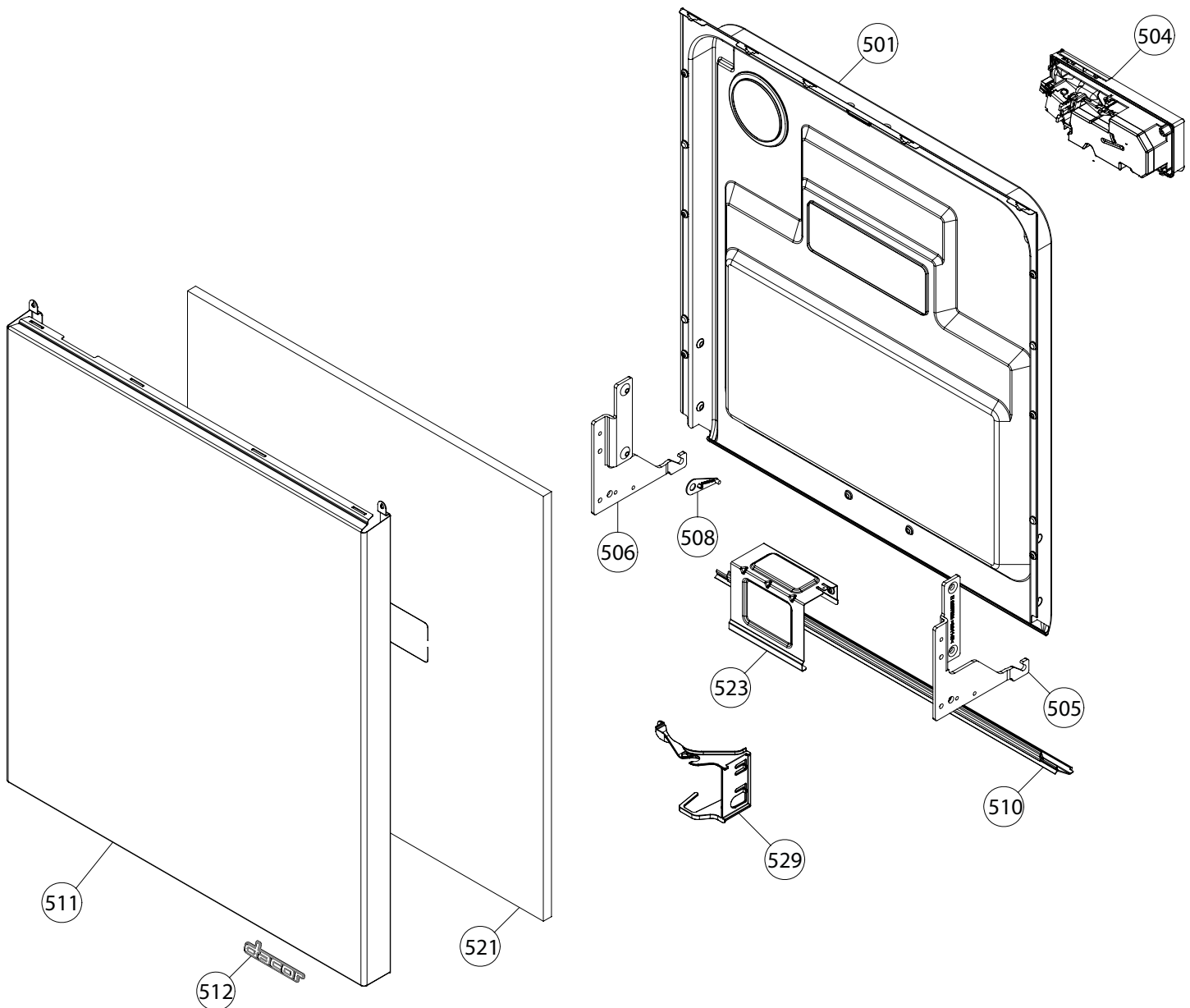
**PARTS  
CATALOG**

## **DDWF24S Dishwasher**

<b>Page</b>	<b>Description</b>
<b>2</b>	<b>Inner Door Panel Parts</b>
<b>3</b>	<b>Control Panel Parts</b>
<b>4</b>	<b>Basket &amp; Related Parts</b>
<b>5</b>	<b>Wash System Parts</b>
<b>6</b>	<b>Bottom Well and Related Parts</b>
<b>7</b>	<b>Base and Related Parts</b>

Revised 12-03-2013

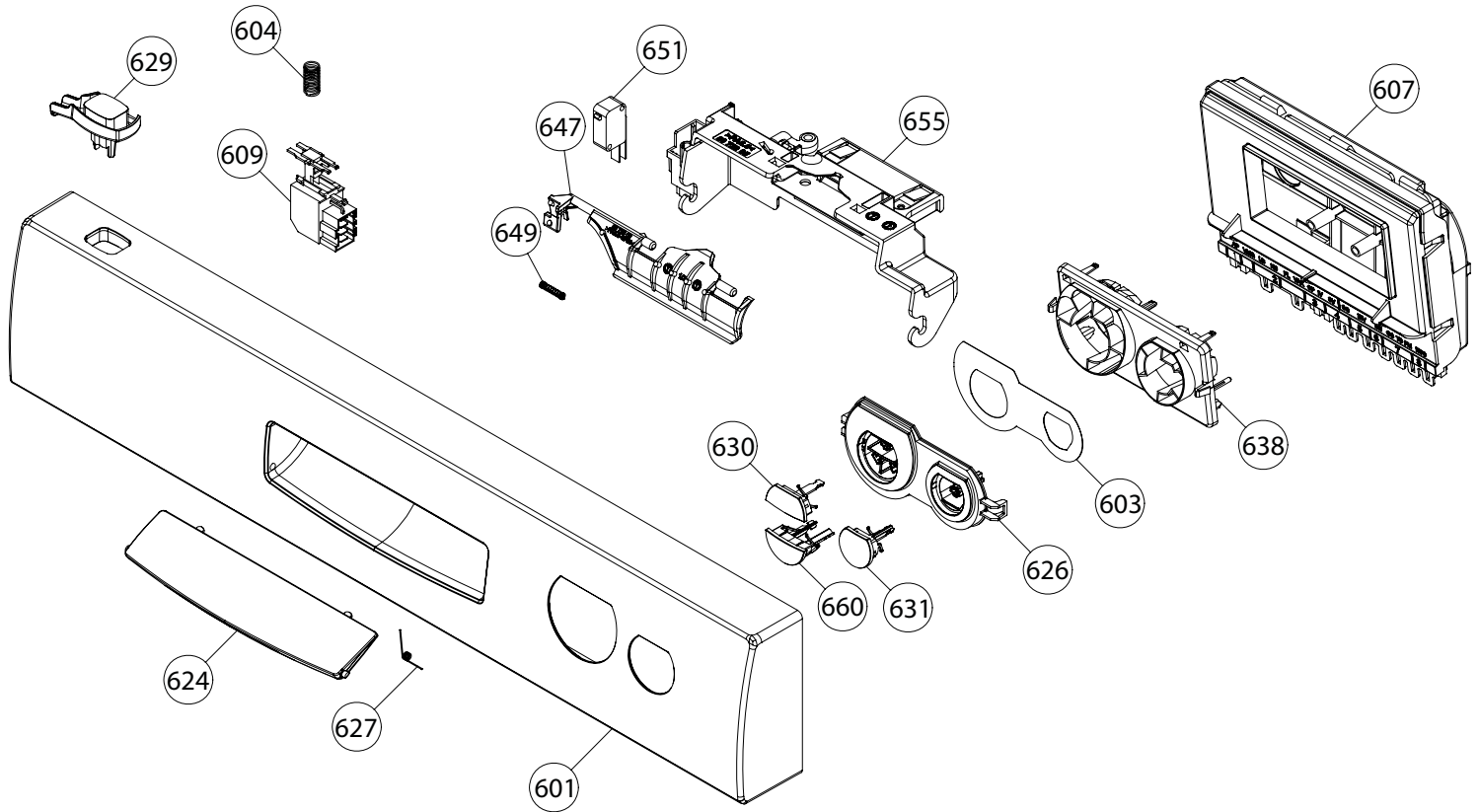
# Inner Door Panel Parts



Item	Part #	Description
<b>501</b>	105224	Door Inner w/o Fan
<b>501-a</b>	105225	Screw A4 RTS 4.2 x 13
<b>501-b</b>	105229	Screw A2 MKFT 5 x 10
<b>504</b>	105219	Kit Combi Dispenser 120v
<b>504-a</b>	105121*	Seal, Det. Comp. Lid*
<b>504-b</b>	105125	Cap, Rinse Agent
<b>504-c</b>	105124	Lid, Incl. Seal and Spring
<b>504-d</b>	105126	Sealing Strip Combi Disp.
<b>504-f</b>	105230	Screw PTK 40 x 14
<b>505</b>	105165	Hinge Right Painted
<b>506</b>	105166	Hinge Left Painted

Item	Part #	Description
<b>507</b>	105110	Hinge Screw
<b>507-a</b>	105100	Nut M4 (Locking)
<b>508</b>	105113	Slide Washer Hinge Bearing
<b>510</b>	105118	Door Seal
<b>511</b>	105162	Door Outer Part**
<b>511-a</b>	105225	Screw A4 RTS 4.2 x 13
<b>512</b>	72510CH	Logo, Dacor
<b>523</b>	105116	Brace 86 cm
<b>523-a</b>	105225	Screw A4 RTS 4.2 x 13
<b>523-b</b>	105231	Screw RTS 4.2 x 13 FZB
<b>529</b>	105155	Bracket for Harness
		*Order 105121 as 105219 (Kit).
		**Dacor Logo (item 512) not included

# Control Panel Parts

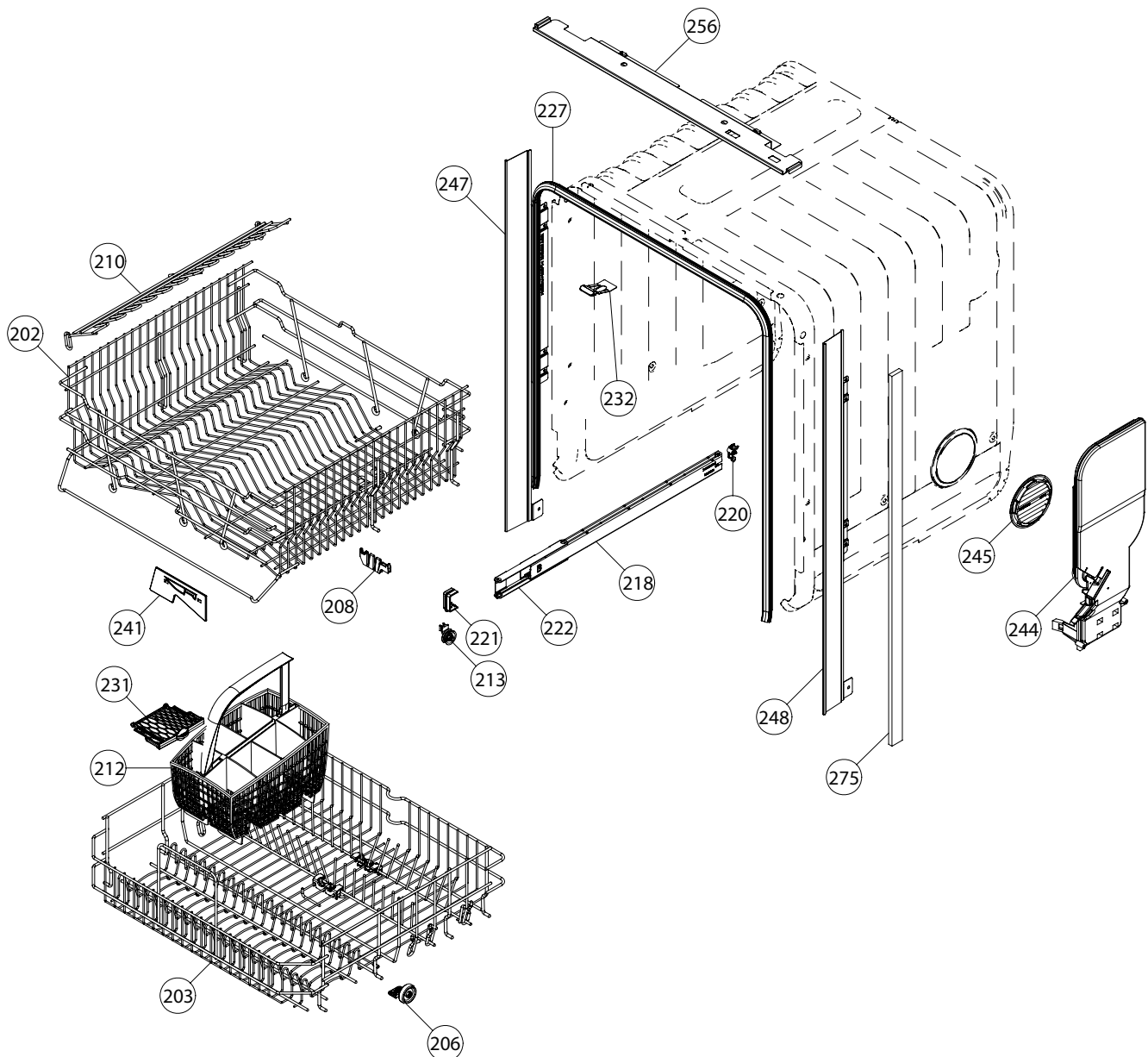


Item	Part #	Description
<b>601</b>	105205	Panel Mech Compl.
<b>602</b>	105213	Normal Wash Label Dacor*
<b>603</b>	105138	Decor Plate Graphic
<b>604</b>	105154	Spring Main Switch
<b>607</b>	105223	Control Unit Cpl. Dacor
<b>609</b>	105146	Main Push Switch
<b>614</b>	105175	Cable Set Cl. Pump In. Value*
<b>616</b>	105174	Cable Set Flow & Pressure*
<b>618</b>	105176	Cable Set Power*
<b>619</b>	105173	Cable Set Therm.*
<b>620</b>	105159	Cable Set Door*
<b>622</b>	105172	Cable Set Drain*
<b>624</b>	105141	Cover for Handle Metal Grey

Item	Part #	Description
<b>626</b>	105150	Lens DW320
<b>627</b>	105130	Spring for Lid Handle
<b>629</b>	105136	Push Button Main Switch Graphic
<b>630</b>	105211	Push Button Prog. Dacor
<b>631</b>	105210	Push Button Start Dacor
<b>638</b>	105151	Light Guide
<b>647</b>	105134	Catch Handle
<b>649</b>	105160	Spring Door Lock Handle
<b>651</b>	105148	Micro Switch Door
<b>655</b>	105133	Door Lock
<b>655-a</b>	105228	Screw PT KB 40 x 10 WN
<b>660</b>	105212	Push Button Opt. Dacor

\* Not shown

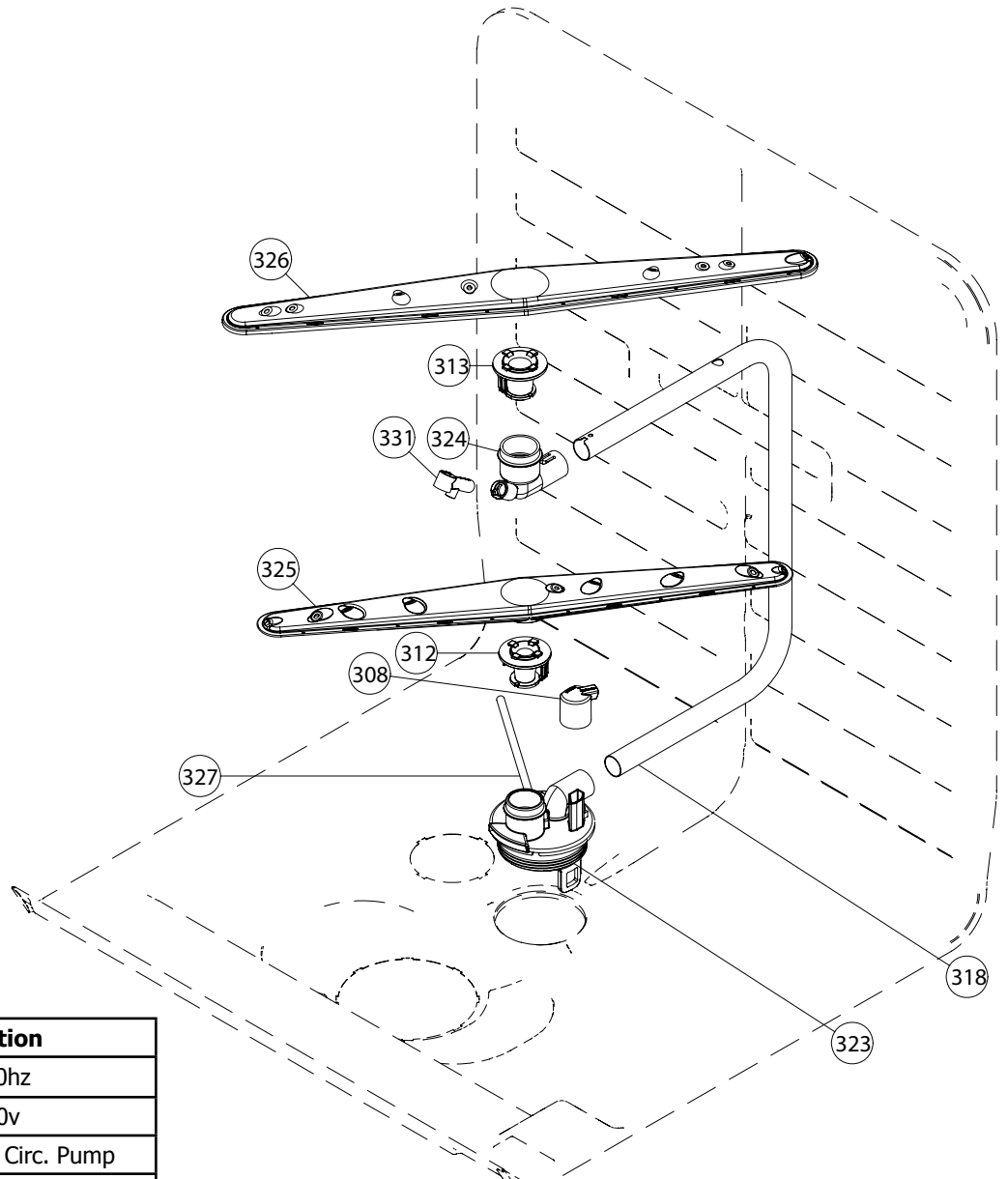
# Basket & Related Parts



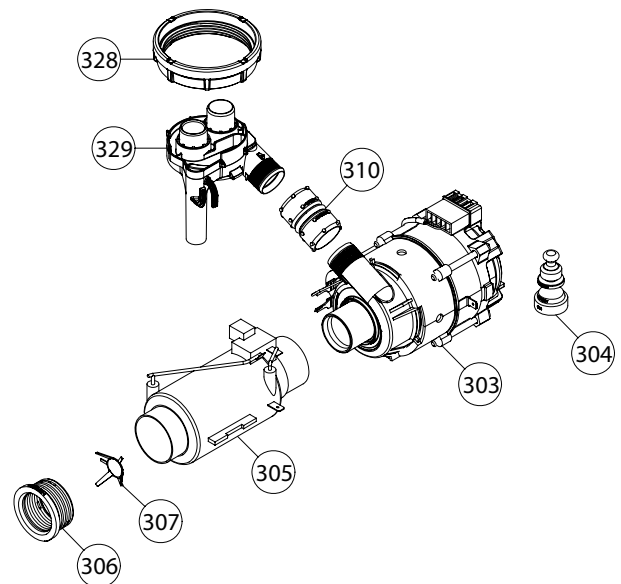
Item	Part #	Description
202	105222	Upper Basket STD Compl.
203	105112	Lower Basket STD USA CPL
206	105184	Wheel for Low DW Basket
208	105120	Holder, Carving Knives U-Basket
210	105122	Wine Glass Shelf Adjust
212	105215	Cutlery Bsket Compl.
213	105117	Basket Wheel Compl.
218	105107	Kit, Guide Rail, Complete
220	105114	Ball Catch Grey Compl.
221	105209	Basket Stop
222	105217	Kit Ball Holder incl. Balls
227	105108	Door Strip

Item	Part #	Description
231	105183	Door Cutlery Basket
232	105214	Lock Catch Incl. Screw & Nut
241	105109	Knife Stop Plate
244	105182	Air Break STD.
245	105179	Lock Ring Aire Breaker, Grey
247	105156	Trim Strip Left USA
247-a	105225	Screw, A4 RTS 4.2 x 13
248	105157	Trim Strip Right USA
248-a	105225	Screw, A4 RTS 4.2 x 13
256	105158	Trim Rail Low USA SS
275	105119	Sealing Stripe Trim Stripe
292	105202	Shim, Lock Ring, Airbreak

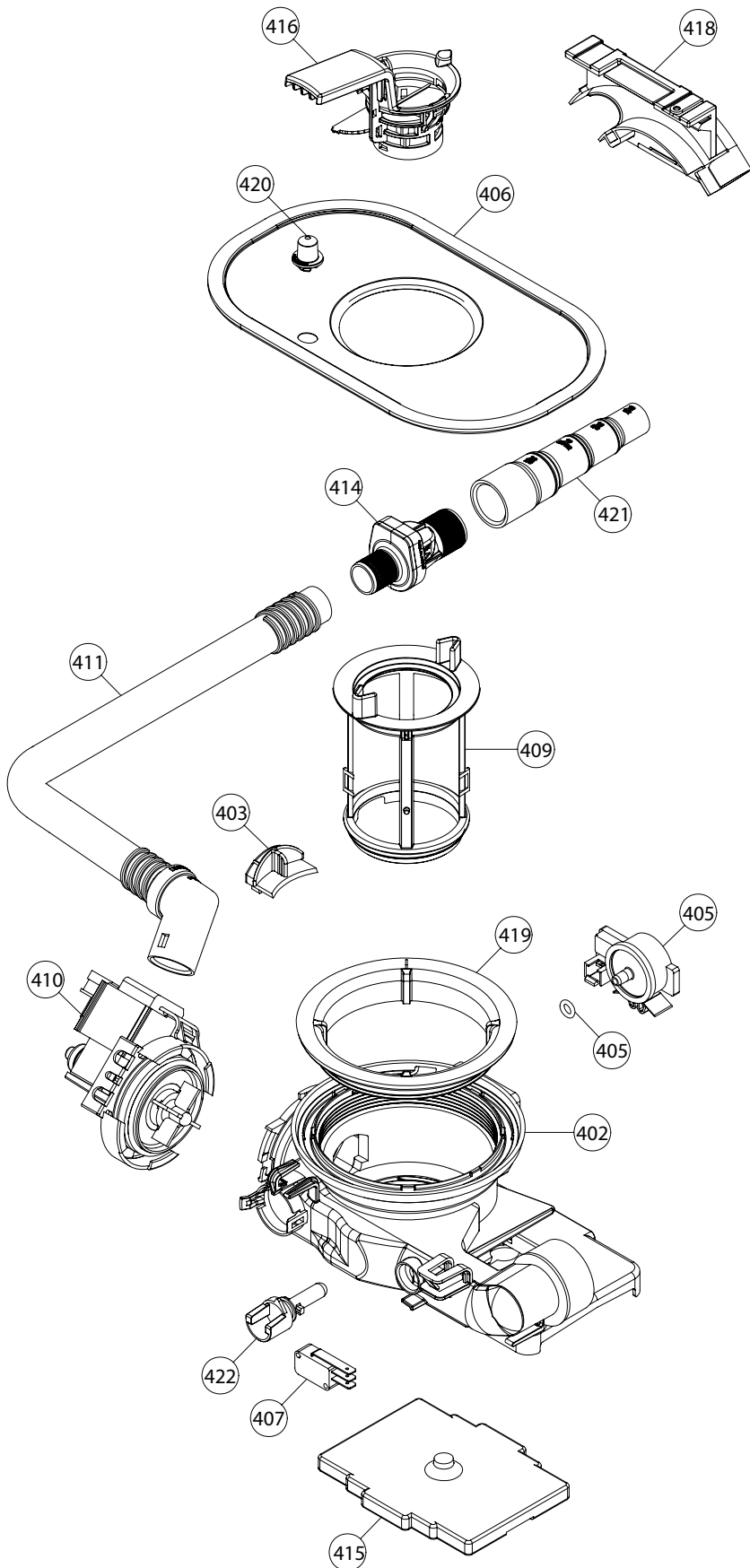
# Wash System Parts



Item	Part #	Description
<b>303</b>	105180	Circ. Pump 120v 60hz
<b>303-a</b>	105206	Capacitor 70UF 400v
<b>304</b>	105194	Rubber Damper Hi Circ. Pump
<b>305</b>	105196	Heating Element 1200w 120v
<b>306</b>	105191	Sealing Heating
<b>307</b>	105192	Insert for Heater
<b>308</b>	105139	Cup Drainage Grey
<b>310</b>	105221	Kit Hose Incl. Clamps Circ. Pump
<b>312</b>	105161	Kit, Spray Arm Bearing L. Grey
<b>313</b>	105106	Kit, Spray Arm Bearing Upper
<b>318</b>	105140	Spray Pipe
<b>323</b>	105198	Spray Tower Lower
<b>325</b>	105131	Spray Arm Lower Complete
<b>326</b>	105132	Spray Upper Complete
<b>328</b>	105123	Lock Ring Spray Tower
<b>329</b>	105177	Water Flow Channel
<b>357</b>	105204	Sealing Heater Bottom Sump



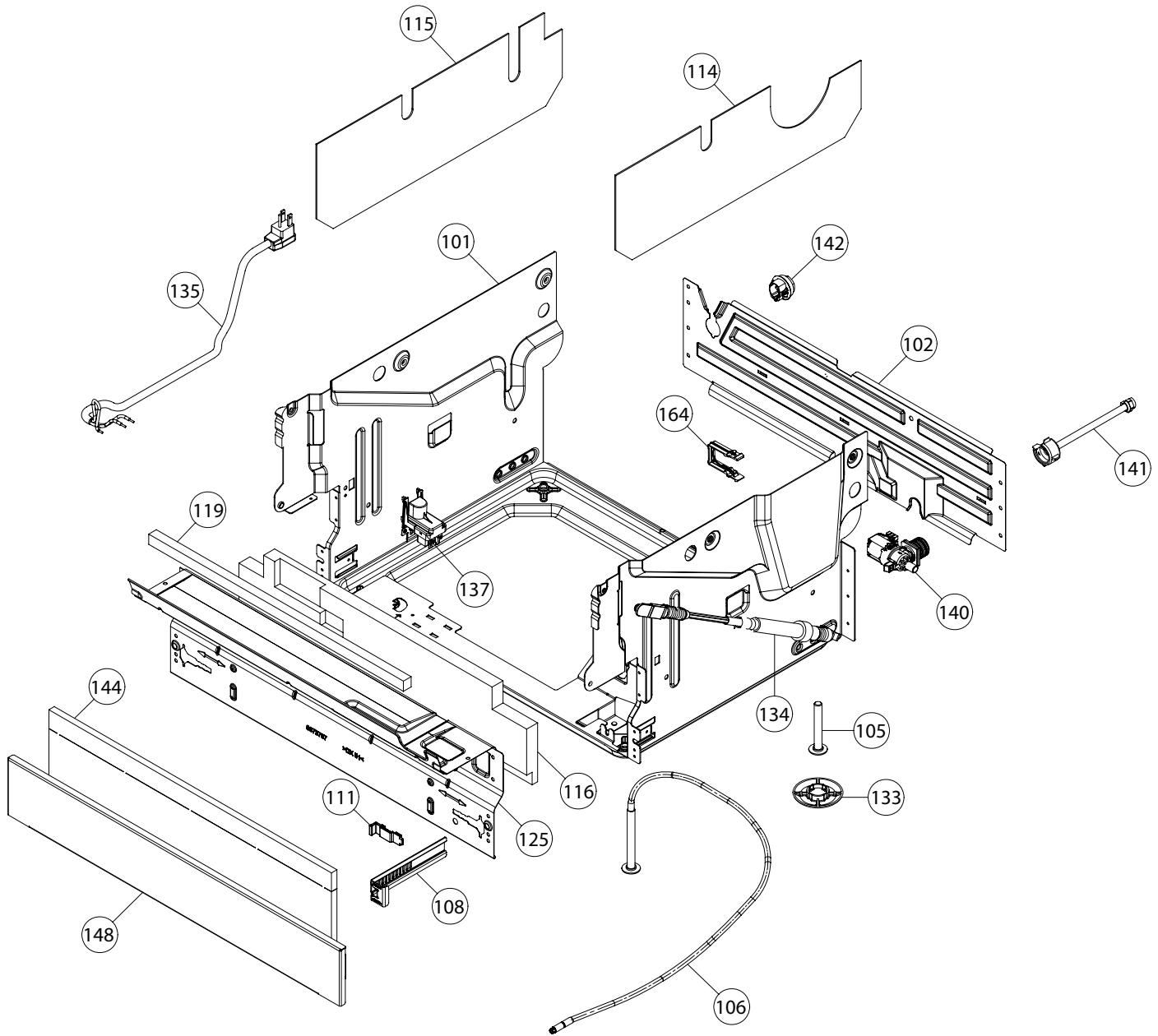
# Bottom Well & Related Parts



Item	Part #	Description
<b>402</b>	105207	Bottom Well Pressure Sens.
<b>402-a</b>	105137	O-Ring
<b>403</b>	105171	Rinse Bottom Well Yellow
<b>405</b>	105149	Pressure Sensor
<b>405-a</b>	105152	O-Ring 6.3 x 2.4
<b>406</b>	105128	Strainer
<b>407</b>	105147	Micro Switch Float
<b>409</b>	105163	Pipe Filter Electro Polish
<b>410</b>	105181	Drain Pump 120v 60Hz
<b>410-a</b>	105115	O-Ring 49.5 x 3.0
<b>411</b>	105203	Outlet Hose Hard End Cuff
<b>411-a</b>	105233	O-Ring
<b>415</b>	105170	Float
<b>416</b>	105164	Strainer Basket Grey
<b>418</b>	105127	Holder Outlet Hose
<b>418-a</b>	105105	Hose Clip 27.1
<b>418-b</b>	105104	Hose Clip 31.6
<b>418-c</b>	105101	Cable Strip
<b>418-d</b>	105227	Screw PT KB 40 x 10 WN
<b>419</b>	105129	Lock Ring Bottom Well
<b>420</b>	105135	Ventilator UL4
<b>421</b>	105144	End Cuff UL4
<b>422</b>	105178	Thermistor UL4
<b>423</b>	105197	Bottom Lid Tube Filter
<b>424</b>	105195	Sealing Flat Non Return Valve
<b>425</b>	105200	Hook Non Return Valve



# Base & Related Parts



Item	Part #	Description
<b>101</b>	105220	Bottom Outer Compl.
<b>102</b>	105167	Rear Panel
<b>105</b>	105153	Foot M10 x 75
<b>108</b>	105142	Bracket Kicking Plate
<b>111</b>	105143	Spring Kicking Plate L-Grey
<b>125</b>	105168	Guard Plate Straight
<b>125-a</b>	105231	Screw RTS 4.2 x 13 FZB
<b>133</b>	105103	Slide Foot DM-14
<b>134</b>	105208	Door Spring CPL Hard Damper Yel
<b>135</b>	105201	Cord Set 15A America

Item	Part #	Description
<b>137</b>	105199	Filter with Screw Plint
<b>137-a</b>	105226	Screw MRT-TT 4 x 1 FZB
<b>140</b>	105218	Kit Inl. Valve/Lockarm Sling
<b>140-a</b>	105193	Lock Arm Inlet Valve
<b>141</b>	105111	Connections Pipe 9/16-3/4
<b>141-a</b>	107230	O-Ring for Connections Pipe 9/16-3/4
<b>142</b>	105102	Grommet Z13
<b>148</b>	105145	Kick-Plate 86 cm Met. Grey
<b>164</b>	105193	Lock Arm Inlet Valve
<b>165</b>	105169	Holder Door Spring Out Bottom
<b>165-a</b>	105232	Screw RTK ST 4.2 x 9.5 FZB