

The Dacor logo is rendered in a bold, italicized, sans-serif font with a metallic, 3D effect. The letters are dark with a lighter, reflective highlight on the top and left sides, giving it a sleek, modern appearance.

The Life of the Kitchen.®

A photograph of a white Dacor DCT305 cooktop is shown in a kitchen setting. The cooktop features five burners and a control panel with several knobs. A white bowl is placed on one of the burners. The background shows a kitchen counter with various items like a coffee maker and a toaster, and a wooden cabinet below the counter.

PARTS CATALOG

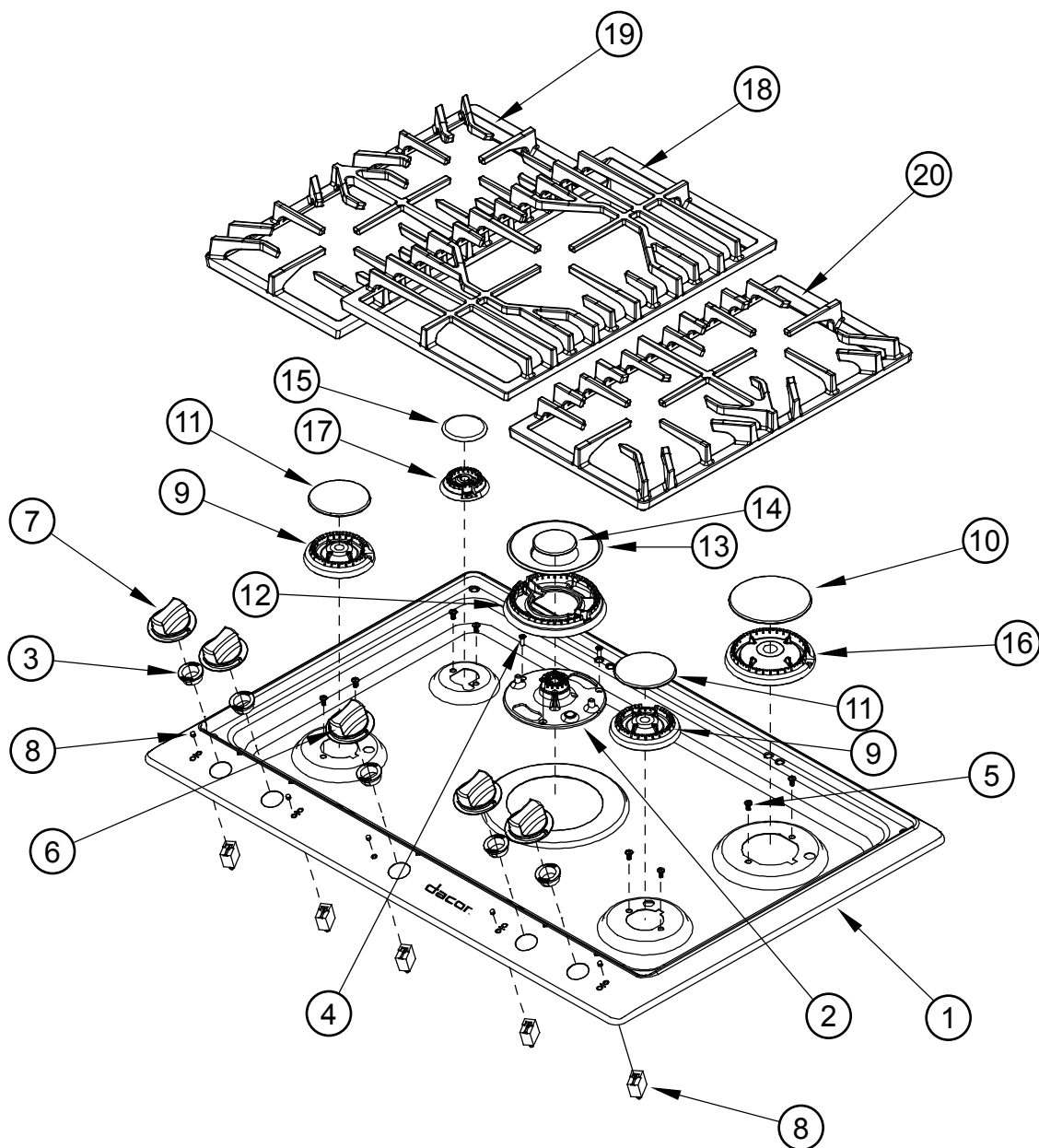
DCT305 Cooktop

Page #	Description
2	Top Frame Assembly
3	Sub-Cooktop Assembly
4	Manifold Assembly

IMPORTANT: This model is not approved for field conversions from one gas type to another and from one altitude setting to another.

Revised 11-17-2015

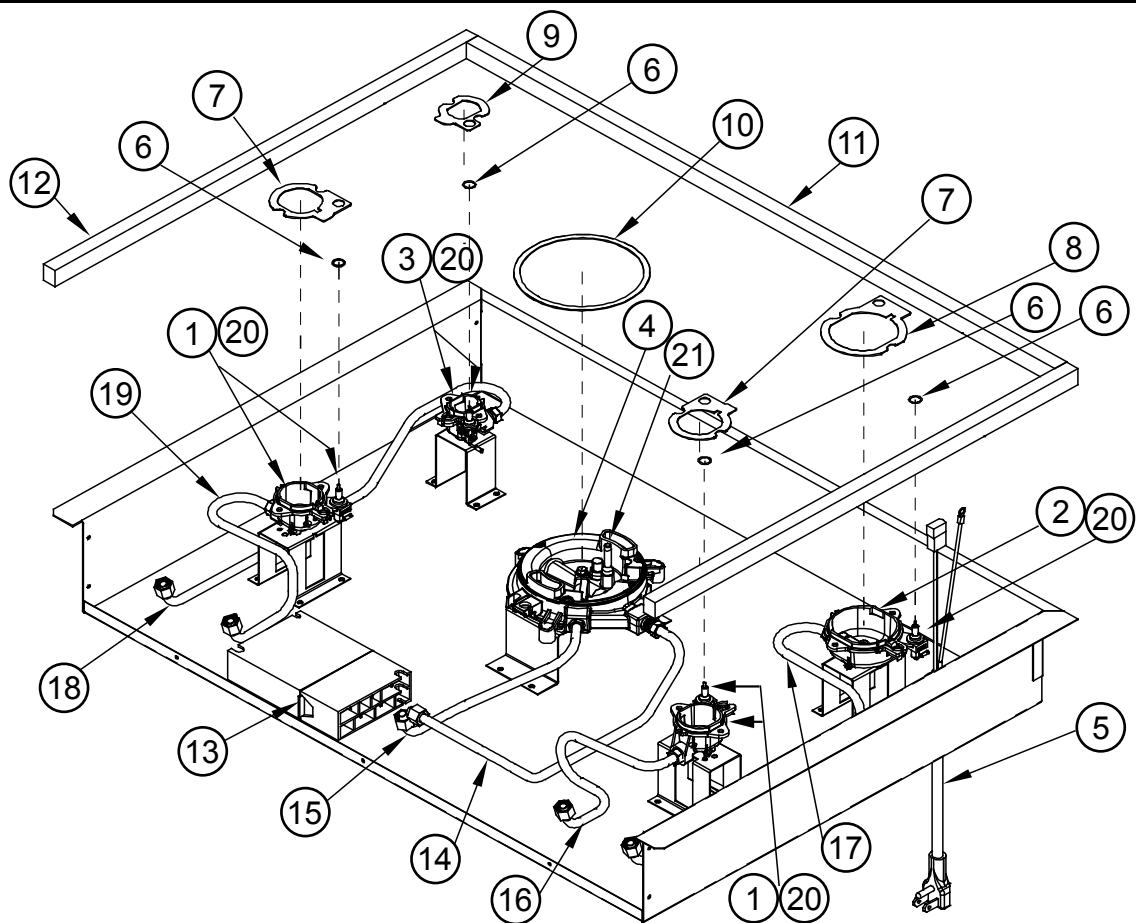
DCT305 Top Frame Assembly



Item	Part #	Description
1	701527	TOP FRAME
2	102587	BURNER RING, INNER, 18K
3	83055	SNAP BUSHING
4	103755	SCREW, M4 X 12MM LG
5	103696	SCREW, M4 X 8MM LG.
6	106859-02	KNOB, DUAL BURNER
7	106859-01	KNOB, SINGLE BURNER
8	62036	INDICATOR LIGHT, BLUE, NEO
9	102594	BURNER RING, 9.5K
10	102590	BURNER CAP, 15K

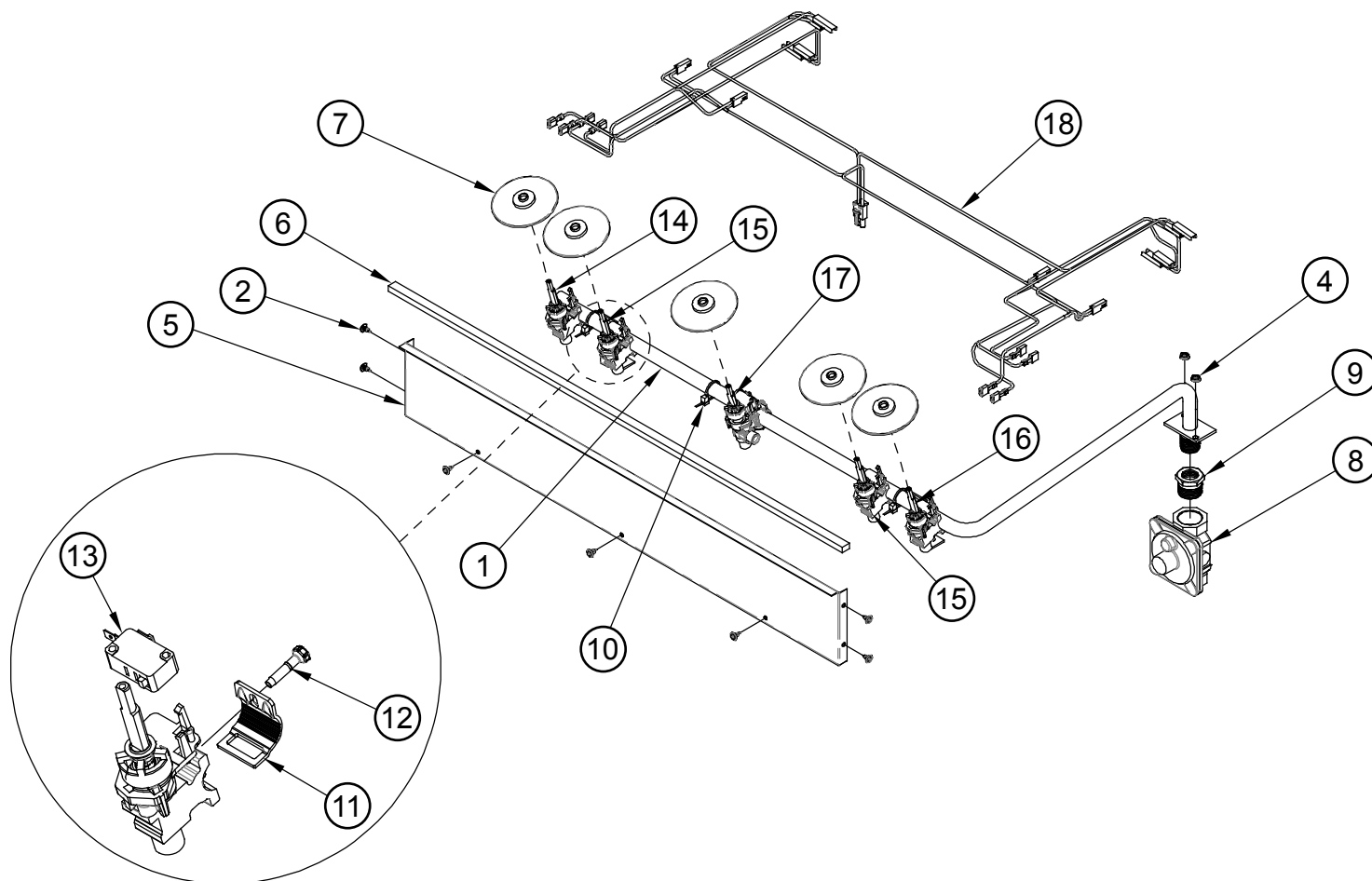
Item	Part #	Description
11	102593	BURNER CAP, 9.5K
12	102588	BURNER RING, OUTER, 18K
13	102586	BURNER CAP, OUTER, 18K
14	102585	BURNER CAP, INNER, 18K
15	105408	BURNER CAP, 7k
16	102591	BURNER RING, 15K
17	105407	BURNER RING, 7k
18	105399	GRATE, CENTER
19	105400-01	GRATE, LEFT
20	105400-02	GRATE, RIGHT

DCT305 Sub-Cooktop Assembly



Item	NG Part #	LP Part #	NGH Part #	LPH Part #	Description
1	701362-01	701362-02	701362-03	701362-04	ASSY, BURNER, MEDIUM
2	701363-05	701363-06	701363-07	701363-02	ASSY, BURNER, LARGE
3	701460-01	701460-02	701460-03	701460-04	ASSY, BURNER, SMALL
4	701364-01	701364-02	701364-03	701364-04	ASSY, BURNER, DUAL
5	72765	72765	72765	72765	POWER SUPPLY CORD
6	105464	105464	105464	105464	"O" RING, BURNER
7	103551	103551	103551	103551	GASKET, BURNER, 9.5K
8	103552	103552	103552	103552	GASKET, BURNER, 15K
9	105409	105409	105409	105409	GASKET, BURNER, SMALL
10	103553	103553	103553	103553	GASKET, 18K DUAL BURNER
11	92310-002	92310-002	92310-002	92310-002	GASKET, FOAM, TOP FRAME/CHASSIS
12	92310-001	92310-001	92310-001	92310-001	GASKET, FOAM, TOP FRAME/CHASSIS
13	86527	86527	86527	86527	SPARK MODULE, 5 POINT
14	103666	103666	103666	103666	TUBE, BURNER - CENTER MAIN
15	103666	103666	103666	103666	TUBE, BURNER - CENTER
16	105855	105855	105855	105855	TUBE, BURNER, RF
17	105855	105855	105855	105855	TUBE, BURNER, RR
18	105856	105856	105856	105856	TUBE, BURNER, LR
19	105855	105855	105855	105855	TUBE, BURNER, LF
-	106856	106856	106856	106856	IGNITER WIRE SET (not shown)
20	103686	103686	103686	103686	IGNITER FOR ITEM #1, #2, #3
21	103661	103661	103661	103661	IGNITER FOR ITEM #4

DCT305 Manifold Assembly



Item	NG Part #	LP Part #	NGH Part #	LPH Part #	Description
1	701455-01	701455-02	701455-03	701455-04	ASSEMBLY, MANIFOLD WITH VALVES
2	83263	83263	83263	83263	SCREW, PHIL, ROUND WASHER, HD.
3	83572	83572	83572	83572	SCREW, 8-32 X 1/2
4	83048	83048	83048	83048	NUT, HEX KEPS, #8-32 (not shown)
5	105391	105391	105391	105391	COVER, CHASSIS, BOX
6	105401	105401	105401	105401	GASKET FOAM
7	106857	106857	106857	106857	PROTECTOR, SPILL
8	62834	72980	62834	72980	REGULATOR, 5/10"WC
9	83458	83458	83458	83458	BUSHING, REDUCER
10	83138	83138	83138	83138	TIE, CABLE
11	103786*	103786*	103786*	103786*	CLAMP, VALVE
12	103787	103787	103787	103787	SCREW, VALVE CLAMP
13	103789	103789	103789	103789	MICRO-SWITCH
14	103688-15	103688-13	103688-16	103688-14	VALVE, SINGLE (left rear)
15	103688-01	103688-03	103688-05	103688-03	VALVE, SINGLE (left front, right front)
16	103688-02	103688-04	103688-06	103688-04	VALVE, SINGLE (right rear)
17	103689-01	103689-02	103689-03	103689-04	VALVE, DUAL (center)
18	106855	106855	106855	106855	WIRING HARNESS, COOKTOP