

The Dacor logo is rendered in a bold, italicized, sans-serif font with a metallic, 3D effect. The letters are dark with a lighter, reflective highlight on the top and left sides, giving it a sleek, modern appearance. A registered trademark symbol (®) is located at the end of the word.

# **dacor**

The Life of the Kitchen.®

A faded background image of a kitchen range with a white bowl on the cooktop. The words 'PARTS CATALOG' are overlaid in large, semi-transparent, 3D block letters.

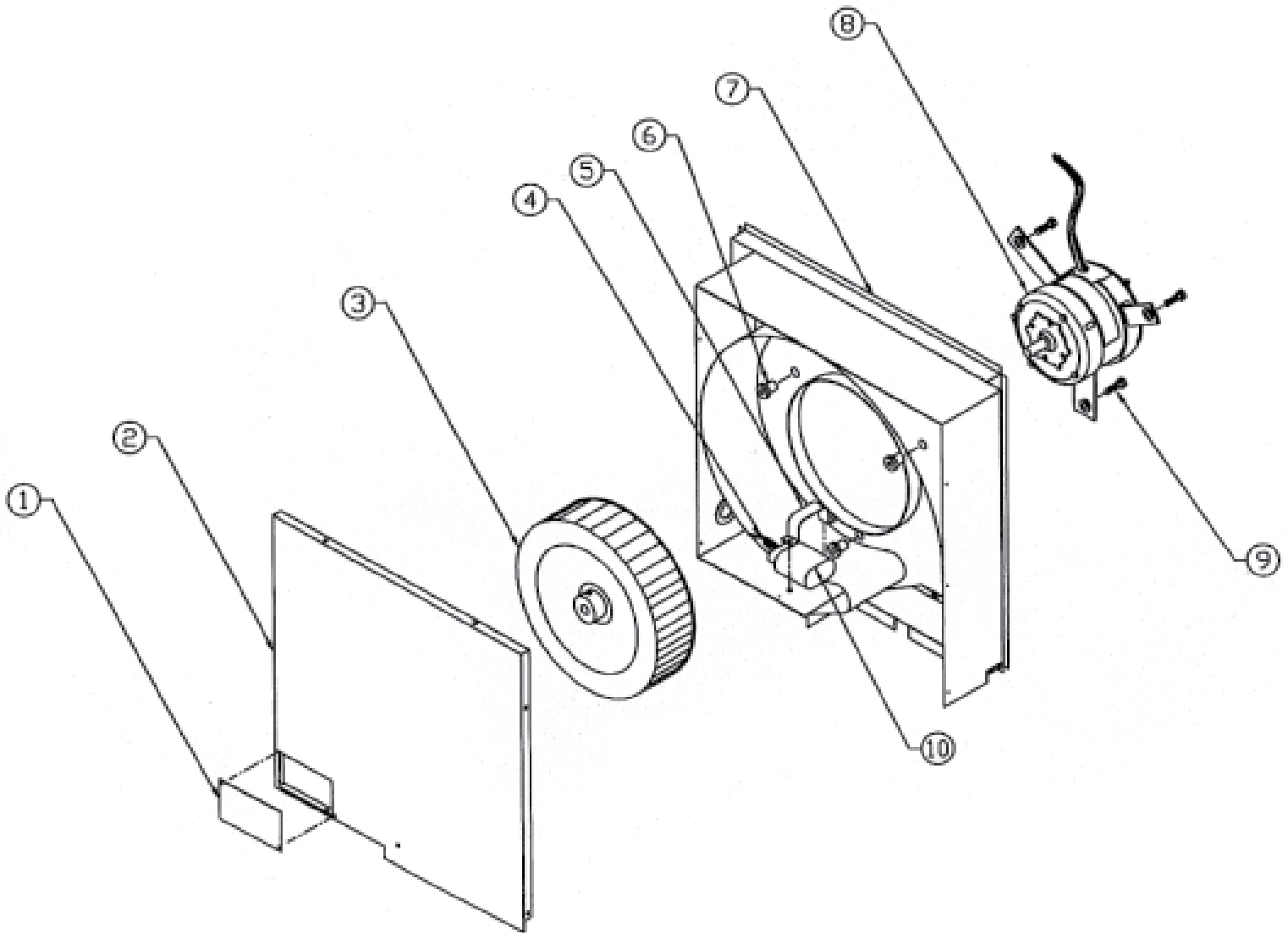
## **PARTS CATALOG**

### **CABP3 Cabinet Blower**

<b>Page #</b>	<b>Description</b>
<b>2</b>	<b>Model CABP3, Revision C and Earlier</b>
<b>3</b>	<b>Model CABP3, Revision D and Later</b>

Revised 05-06-2013

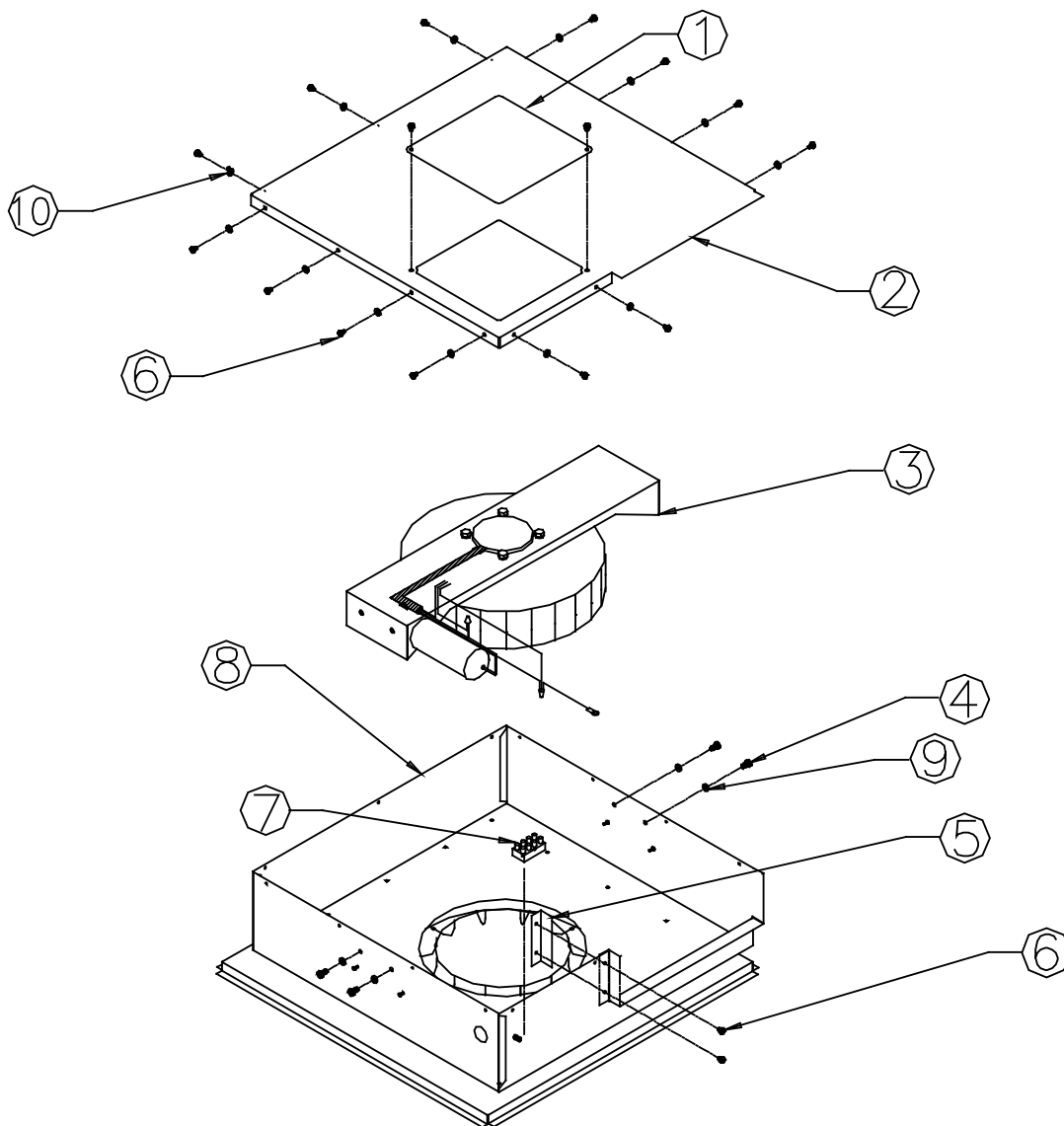
# CABP3 Blower - Rev C and Earlier



Item	Part #	Description
1	26287	Junction Box Cover
2	26284	Housing Cover
3	82553	Blower Wheel
4	83185	Capacitor Boot
5	83186	Capacitor Strap

Item	Part #	Description
6	83238	Bushing, Mtr Mount
7	27387	Blower Housing Assembly
8	82298	Motor
9	83200	Bolt 1/4 x 20
10	82463	Capacitor

# CABP3 Blower - Rev D and Later



Item	Part #	Description
1	66320	Service Door
2	66319	Main Cover
3	66316	Fan Assembly
4	76103	Pan Head Screw
5	76110	Flange Bracket

Item	Part #	Description
6	76104	Pan Head Screw
7	83431	Terminal Block
8	66321	Blower Assembly
9	76102	Star Washer
10	76111	Flat Washer